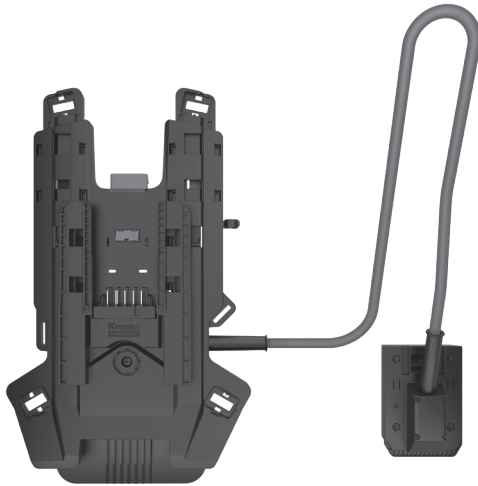


Kress

Commercial



SAFETY AND OPERATING MANUAL

60V Battery Harness

KAC900

TABLE OF CONTENTS

INTRODUCTION.....	3
COMPONENT LIST.....	4
PRODUCT SAFETY.....	5
OPERATING INSTRUCTIONS.....	6
MAINTENANCE AND CLEANING.....	9
STORAGE.....	9
TROUBLESHOOTING.....	9
TECHNICAL DATA	10

INTRODUCTION

Dear Customer,

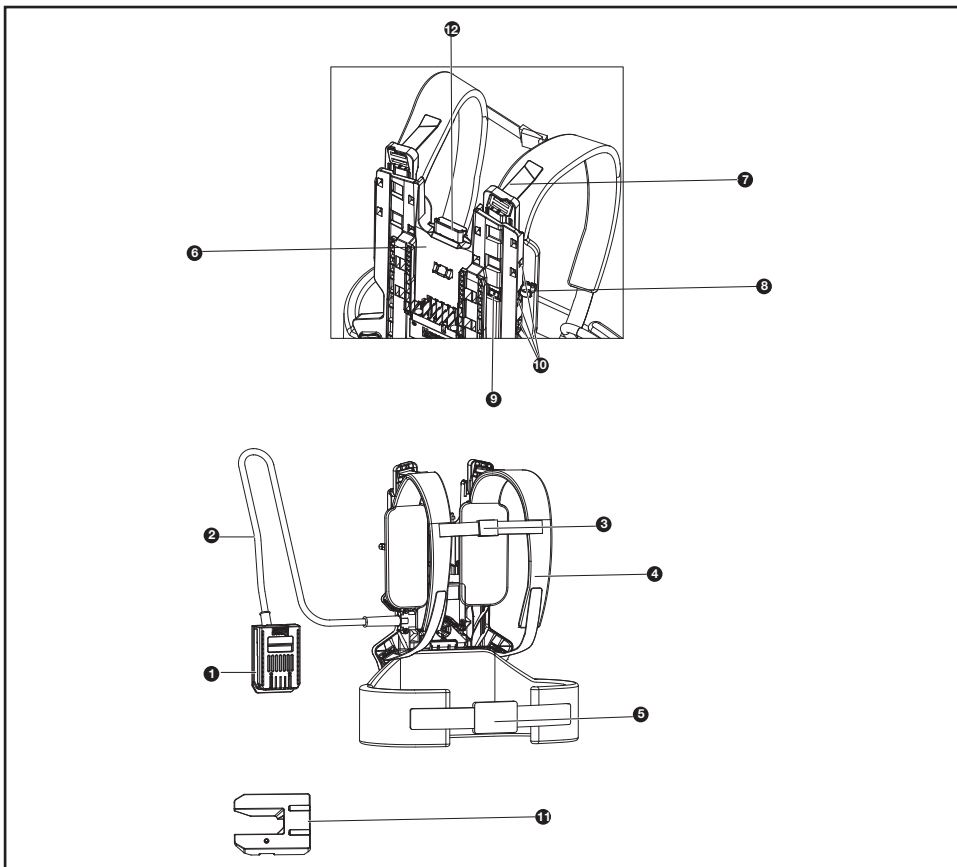
Thank you for buying this Kress Commercial product. We are dedicated to developing high quality products to meet your commercial landscaping requirements.

The Kress brand is synonymous with premium quality service. Over the years of your product's life, if you have any questions or concerns about your product, please contact your dealer or our Customer Service Team for assistance.

We are confident you will enjoy working with your Kress product for years to come.

INTENDED USE

This harness allows the capability to connect to select Kress 60V handheld tools, like a string trimmer, edger, or hedge trimmer, this harness gives you the flexibility to tackle big jobs and allowing longer runtime for larger jobs



COMPONENT LIST

- | | |
|-----|---------------------------------|
| 1. | BATTERY ADAPTOR |
| 2. | CABLE |
| 3. | CHEST BUCKLE |
| 4. | SHOULDER STRAP |
| 5. | WAIST BUCKLE |
| 6. | BATTERY MOUNTING BASE |
| 7. | LOAD LIFT STRAP |
| 8. | CABLE MANAGEMENT FASTENER |
| 9. | FRAME HEIGHT ADJUSTMENT RELEASE |
| 10. | HEIGHT ADJUSTMENT SYMBOL |
| 11. | WEIGHT KIT |
| 12. | BATTERY RELEASE BUTTON |

Not all the accessories illustrated or described are included in standard delivery.

ORIGINAL INSTRUCTIONS

PRODUCT SAFETY

GENERAL POWER TOOL

SAFETY WARNINGS







WARNING Read all safety warnings, instructions, illustrations and specifications provided with this power tool. Failure to follow all instructions listed below may result in electric shock, fire and/or serious injury.


Save all warnings and instructions for future reference.


The term "power tool" in the warnings refers to your mains-operated (corded) power tool or battery-operated (cordless) power tool.

SYMBOLS

	To reduce the risk of injury, user must read instruction manual
	Warning
	Remove battery from the harness before carrying out any adjustment, servicing or maintenance.
	RCM marking
<p>ABN: Australian Business Number. By this number, business information such as entity type, status, business location etc. can be found at website http://abr.business.gov.au. ABN of Positec Australia Pty Limited is 14 101 682 357</p>	

OPERATING INSTRUCTIONS

 **NOTE:** Before using the tool, read the instruction book carefully.

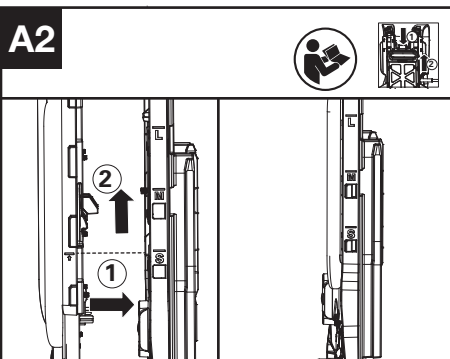
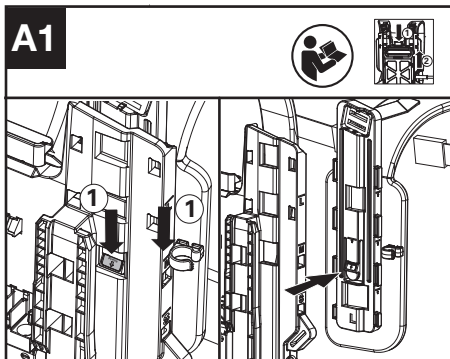
 **WARNING:** This battery harness can only be used with Kress cordless handheld tools.

BEFORE OPERATION

Note: Check the Kress batteries carefully to make sure that no parts are damaged or missing. If any damage occurred, please contact Service Agent.

OPERATION

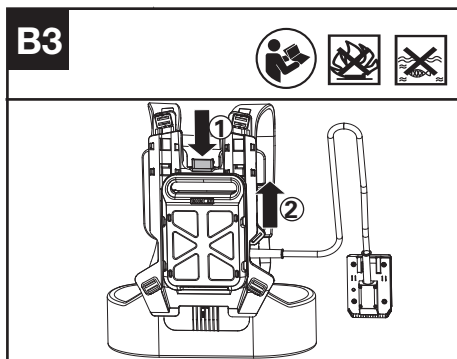
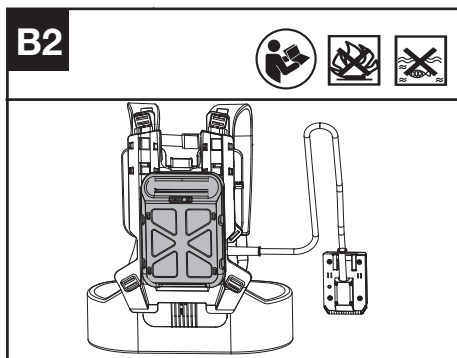
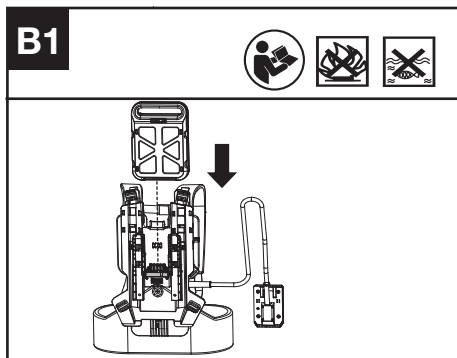
Adjusting height of Frame(See Fig. A1,A2)



Note: It is possible to adjust frame height based on user height & weight. The Kress harness features three height(S/M/L) for your choice.

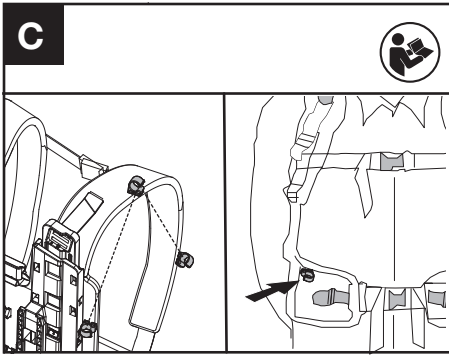
1. Depress the button and release the slider from the frame;
2. Find the suitable height, match the "-" symbol as shown, fit the slide and lift up to finish the assembly, and you should hear a "click".

Install/Remove the battery pack (See Fig. B1, B2,B3)



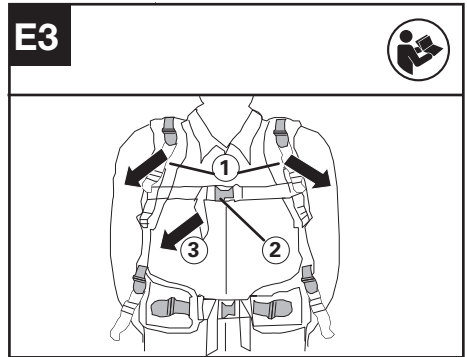
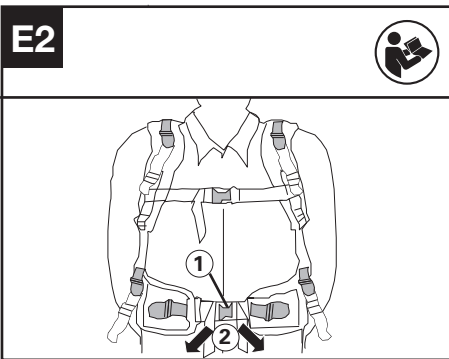
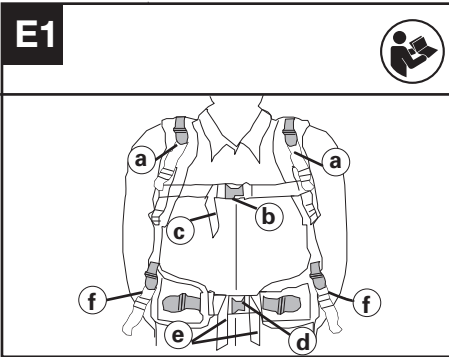
1. Align the battery pack to the battery mounting base, then slide it into the base to install the battery.
2. Press the battery pack release button, then lift the battery pack along the mounting base to remove the battery.

Fix the cable into harness positions.(See Fig C)



It is suggested to fix the cable into the cable clips during operation so as to avoid obstructions by cluttered cables. The cable clips are designed along the shoulder belt and waist belt, which provides you with two different ways to organize the cables.

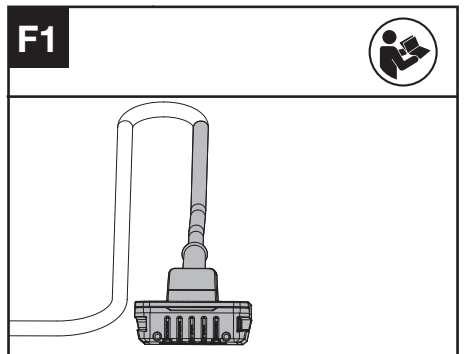
Adjust the harness (See Fig. E1, E2, E3)



1. Snap the waist buckle(d). Adjust the length of waist strap(e) in order to make sure it is securely positioned in your hips.(See Fig E2)
2. Tighten the shoulder strap(a) and remember to leave a small gap over the shoulder to distribute weight of battery over shoulders to balance weight. (See Fig E3)
3. Snap the chest buckle(b) and adjust chest strap(c) before work .(See Fig E3)

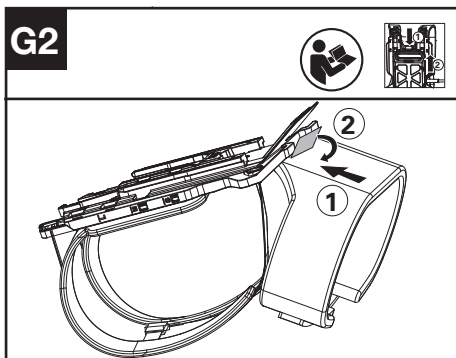
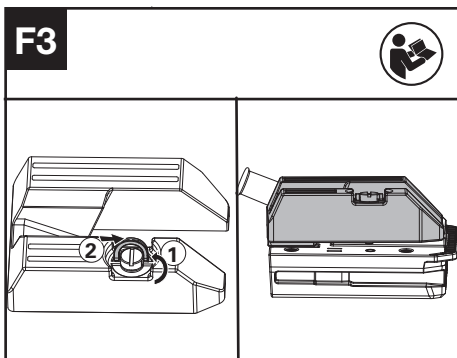
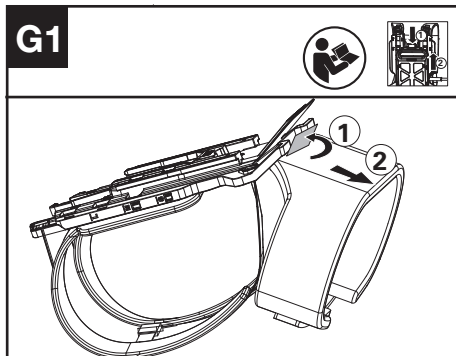
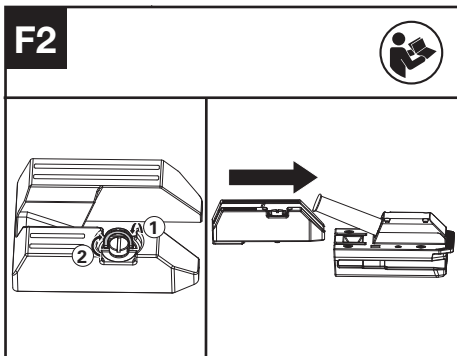
WARNING: Do not wear other shoulder straps when using this backpack harness.

Connect the harness with your machine (See Fig F1, F2)



1. Insert the battery adaptor into the Kress cordless handheld tool. Follow the instructions in the tool's manual to start the tool. Remove the adaptor from the tool after use.

NOTE: If you hear a beep sound during operation, it could indicate a short circuit due to power cord damage. Please stop working immediately. Remove the battery pack, and replace the power cord.



NOTE: For better weight distribution, a weight kit is supplied with the backpack harness.

1. Lift the ring and rotate the screw in a counterclockwise direction, then push the weight kit along the battery adaptor.(See Fig F2)
2. Rotate the screw in a clockwise direction to finish the assembly of weight kit and battery adaptor. Then insert the battery adaptor into the Kress handheld tools.(See Fig F3)

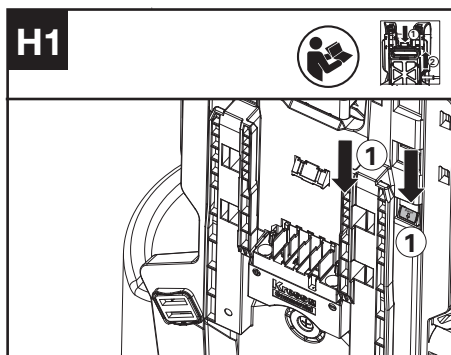
WARNING: Before connection, make sure your machine is turned off. When operating, wear protective gloves.

REMOVE AND FIT HARNESS

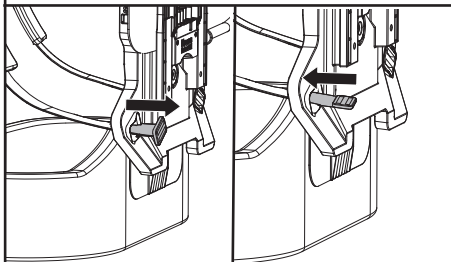
Disassembly and assembly of the waist belt.
(See Fig G1,G2)

1. Open the velcro and remove the belt from the frame flap.(See Fig G1)
2. Insert the frame flap into the pocket on the belt. Rotate the belt until the whole of the frame flap is in the pocket. Secure with the velcro tab.(See Fig G2)

Disassembly and assembly of the shoulder belt.
(See Fig H1,H2)



1. Press the button and release sliders from frame.
(See Fig H1)
2. To remove the shoulder strap, push the strap through the slot to release the toggle. Turn the toggle triangle 90° and pass back through the slot to remove.
(See Fig H2)

H2

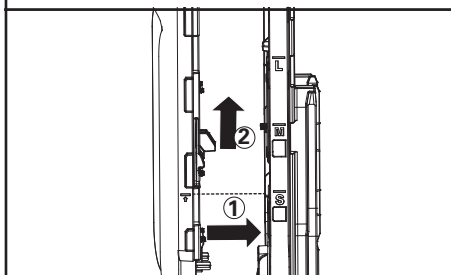
MAINTENANCE AND CLEANING

Use soft brush to clean the debris on the surface of harness. Never use water or chemical cleaners to clean your harness. Wipe off any moisture with a soft dry cloth as moisture can cause a shock hazard.

WARNING: Remove the battery and adaptor from the harness before carrying out any adjustment, servicing or maintenance.

STORAGE

Always store your harness in an enclosed space that is inaccessible to children. Keep all working controls free of dust. Keep away from corrosive agents. Do not place any objects on top of the harness and put the harness on the flat floor.

I1

TROUBLE SHOOTING

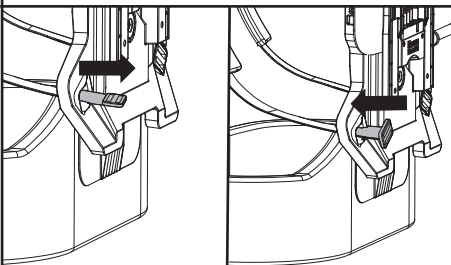
The following table gives problems and actions that you can perform if your machine does not operate correctly.

WARNING: Switch the machine off and remove the battery prior to any troubleshooting.

Problem	Possible cause	Solution
The tool fails to operate	1. Battery not (properly) inserted	1. Properly insert battery into backpack harness.
	2. No electrical contact between the battery pack and backpack harness	2. Remove the battery pack and check the contact. Then reinstall the battery pack.
	3. The battery pack is depleted	3. Charge the battery pack.
	4. No electrical contact between the adaptor and tool	4. Disconnect the adaptor from the tool, then reconnect them.
There is a beep sound during operation.	Short circuit due to power cord damage.	Stop working immediately. Remove the battery pack, and replace the power cord.

3. Match the "-" symbol between the frame and the slider, then lift the slider up to assemble the harness. (See Fig I1)

NOTE: The harness is designed with three height (S/M/L) for you to choose the suitable height.

I2

4. Turn the toggle so that it lies 90° along the strap. Pass the toggle and strap through the slot in the frame. Release the toggle and pull back towards the frame. Ensure that the shoulder strap is not twisted. (See Fig I2)

TECHNICAL DATA

	KAC900
Suitable battery pack	Kress 60V battery pack
Weight (Without battery)	2.25 kg

We recommend that you purchase your accessories from the same Dealer that sold you the tool. Refer to the accessory packaging for further details. Your Dealer can assist you and offer advice.

Positec Australia Pty Limited
10 Corporate Blvd Bayswater, VIC 3153, Australia



Copyright © 2023, Positec. All Rights Reserved.
AR01722601