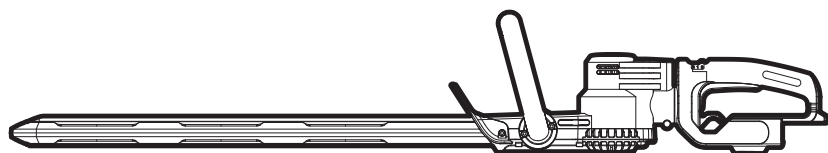


Kress



SAFETY AND OPERATING MANUAL

Cordless Hedge Trimmer

**KG259E KG259E.X
KG260E KG260E.X**



PRODUCT SAFETY

GENERAL POWER TOOL

SAFETY WARNINGS



WARNING Read all safety warnings, instructions, illustrations and specifications

provided with this power tool. Failure to follow the warnings and instructions may result in electric shock, fire and/or serious injury.

Save all warnings and instructions for future reference.

The term "power tool" in the warnings refers to your mains-operated (corded) power tool or battery-operated (cordless) power tool.

1. Work area safety

- a) **Keep work area clean and well lit.** Cluttered or dark areas invite accidents.
- b) **Do not operate power tools in explosive atmospheres, such as in the presence of flammable liquids, gases or dust.** Power tools create sparks which may ignite the dust or fumes.
- c) **Keep children and bystanders away while operating a power tool.** Distractions can cause you to lose control.

2. Electrical safety

- a) **Power tool plugs must match the outlet. Never modify the plug in any way. Do not use any adapter plugs with earthed (grounded) power tools.** Unmodified plugs and matching outlets will reduce risk of electric shock.
- b) **Avoid body contact with earthed or grounded surfaces, such as pipes, radiators, ranges and refrigerators.** There is an increased risk of electric shock if your body is earthed or grounded.
- c) **Do not expose power tools to rain or wet conditions.** Water entering a power tool will increase the risk of electric shock.
- d) **Do not abuse the cord. Never use the cord for carrying, pulling or unplugging the power tool. Keep cord away from heat, oil, sharp edges or moving parts.** Damaged or entangled cords increase the risk of electric shock.
- e) **When operating a power tool outdoors, use an extension cord suitable for outdoor use.** Use of a cord suitable for outdoor use reduces the risk of electric shock.
- f) **If operating a power tool in a damp location is unavoidable, use a residual current device (RCD) protected supply.** Use of an RCD reduces the risk of electric shock.

3. Personal safety

- a) **Stay alert, watch what you are doing and use common sense when operating a power tool. Do not use a power tool while you are tired or under the influence of drugs, alcohol or medication.** A moment of inattention while operating power tools may result in serious personal injury.

- b) **Use personal protective equipment. Always wear eye protection.** Protective equipment such as dust mask, non-skid safety shoes, hard hat, or hearing protection used for appropriate conditions will reduce personal injuries.
- c) **Prevent unintentional starting. Ensure the switch is in the off-position before connecting to power source and/or battery pack, picking up or carrying the tool.** Carrying power tools with your finger on the switch or energising power tools that have the switch on invites accidents.
- d) **Remove any adjusting key or wrench before turning the power tool on.** A wrench or a key left attached to a rotating part of the power tool may result in personal injury.
- e) **Do not overreach. Keep proper footing and balance at all times.** This enables better control of the power tool in unexpected situations.
- f) **Dress properly. Do not wear loose clothing or jewellery. Keep your hair, clothing and gloves away from moving parts.** Loose clothes, jewellery or long hair can be caught in moving parts.
- g) **If devices are provided for the connection of dust extraction and collection facilities, ensure these are connected and properly used.** Use of dust collection can reduce dust-related hazards.
- h) **Do not let familiarity gained from frequent use of tools allow you to become complacent and ignore tool safety principles.** A careless action can cause severe injury within a fraction of a second.

4. Power tool use and care

- a) **Do not force the power tool. Use the correct power tool for your application.** The correct power tool will do the job better and safer at the rate for which it was designed.
- b) **Do not use the power tool if the switch does not turn it on and off.** Any power tool that cannot be controlled with the switch is dangerous and must be repaired.
- c) **Disconnect the plug from the power source and/or the battery pack from the power tool before making any adjustments, changing accessories, or storing power tools.** Such preventive safety measures reduce the risk of starting the power tool accidentally.
- d) **Store idle power tools out of the reach of children and do not allow persons unfamiliar with the power tool or these instructions to operate the power tool.** Power tools are dangerous in the hands of untrained users.
- e) **Maintain power tools. Check for misalignment or binding of moving parts, breakage of parts and any other condition that may affect the power tool's operation. If damaged, have the power tool repaired before use.** Many accidents are caused by poorly maintained power tools.
- f) **Keep cutting tools sharp and clean.** Properly

maintained cutting tools with sharp cutting edges are less likely to bind and are easier to control.

- g) Use the power tool, accessories and tool bits etc. in accordance with these instructions, taking into account the working conditions and the work to be performed.** *Use of the power tool for operations different from those intended could result in a hazardous situation.*
- h) Keep handles and grasping surfaces dry, clean and free from oil and grease.** *Slippery handles and grasping surfaces do not allow for safe handling and control of the tool in unexpected situations.*
- 5. Battery tool use and care**
- a) Recharge only with the charger specified by the manufacturer.** *A charger that is suitable for one type of battery pack may create a risk of fire when used with another battery pack.*
- b) Use power tools only with specifically designated battery packs.** *Use of any other battery packs may create a risk of injury and fire.*
- c) When battery pack is not in use, keep it away from other metal objects, like paper clips, coins, keys, nails, screws or other small metal objects, that can make a connection from one terminal to another.** *Shorting the battery terminals together may cause burns or a fire.*
- d) Under abusive conditions, liquid may be ejected from the battery; avoid contact. If contact accidentally occurs, flush with water. If liquid contacts eyes, additionally seek medical help.** *Liquid ejected from the battery may cause irritation or burns.*
- e) Do not use a battery pack or tool that is damaged or modified.** *Damaged or modified batteries may exhibit unpredictable behaviour resulting in fire, explosion or risk of injury.*
- f) Do not expose a battery pack or tool to fire or excessive temperature.** *Exposure to fire or temperature above 130 °C may cause explosion.*
- g) Follow all charging instructions and do not charge the battery pack or tool outside the temperature range specified in the instructions.** *Charging improperly or at temperatures outside the specified range may damage the battery and increase the risk of fire.*
- 6. Service**
- a) Have your power tool serviced by a qualified repair person using only identical replacement parts.** *This will ensure that the safety of the power tool is maintained.*
- b) Never service damaged battery packs.** *Service of battery packs should only be performed by the manufacturer or authorized service providers.*

HEDGE TRIMMER SAFETY WARNINGS

- a) Do not use the hedge trimmer in bad weather conditions, especially when there**

is a risk of lightning. *This decreases the risk of being struck by lightning.*

- b) Keep all power cords and cables away from cutting area.** *Power cords or cables may be hidden in hedges or bushes and can be accidentally cut by the blade.*
- c) Wear ear protection.** *Adequate protective equipment will reduce the risk of hearing loss.*
- d) Hold the hedge trimmer by insulated gripping surfaces only, because the blade may contact hidden wiring.** *Blades contacting a "live" wire may make exposed metal parts of the hedge trimmer "live" and could give the operator an electric shock.*
- e) Keep all parts of the body away from the blade. Do not remove cut material or hold material to be cut when blades are moving.** *Blades continue to move after the switch is turned off. A moment of inattention while operating the hedge trimmer may result in serious personal injury.*
- f) When clearing jammed material or servicing the hedge trimmer, make sure all power switches are off and the battery pack is removed or disconnected.** *Unexpected actuation of the hedge trimmer while clearing jammed material or servicing may result in serious personal injury.*
- g) Carry the hedge trimmer by the handle with the blade stopped and taking care not to operate any power switch.** *Proper carrying of the hedge trimmer will decrease the risk of inadvertent starting and resultant personal injury from the blades.*
- h) When transporting or storing the hedge trimmer, always use the blade cover.** *Proper handling of the hedge trimmer will decrease the risk of personal injury from the blades.*
- i) Check the hedges and bushes for foreign objects, e.g. wire fences and hidden wiring.**
- j) Hold the hedge trimmer properly, e.g. with both hands if two handles are provided.**
- k) The hedge trimmer is intended to be used by the operator at ground level and not on ladders or any other unstable support.**
- l) Before operating the hedge trimmer, the user should make sure the locking device(s) of any moving elements (e.g. the extended shaft and pivoting element), if any, are in the locked position.**
- m) Have any adjustable stopping mechanism maintained at regular intervals.**



SAFETY WARNINGS FOR BATTERY PACK











- a) Do not dismantle, open or shred cells or battery pack.**
- b) Do not short-circuit a battery pack. Do not store battery packs haphazardly in a box or drawer where they may short-circuit each other or be short-circuited by conductive materials.** *When battery pack is not in use, keep it*

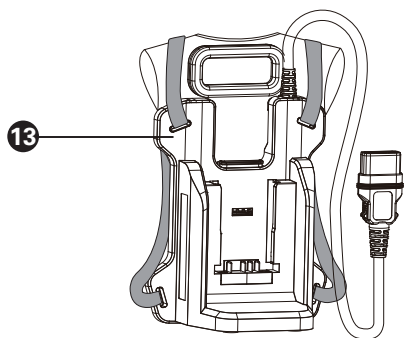
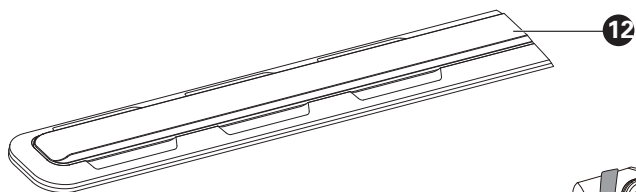
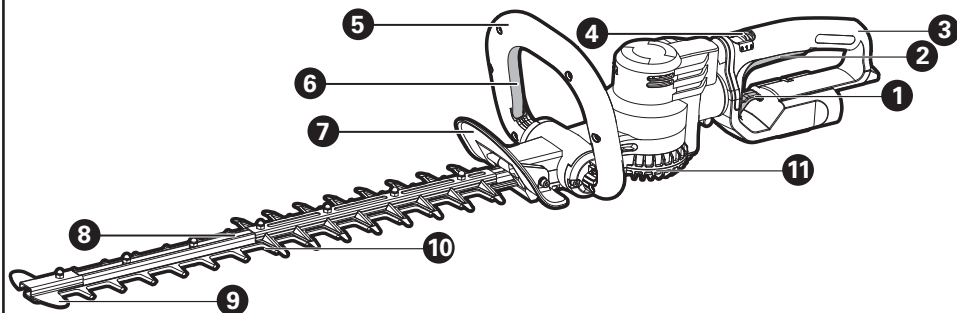
away from other metal objects, like paper clips, coins, keys, nails, screws or other small metal objects, that can make a connection from one terminal to another. Shorting the battery terminals together may cause burns or a fire.

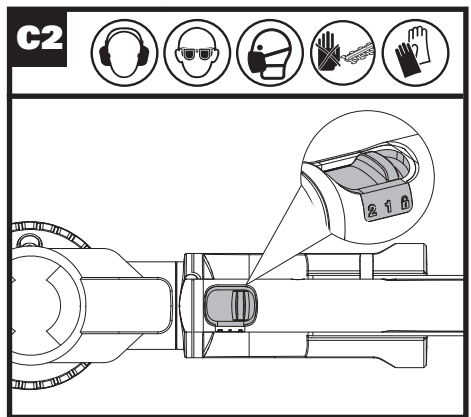
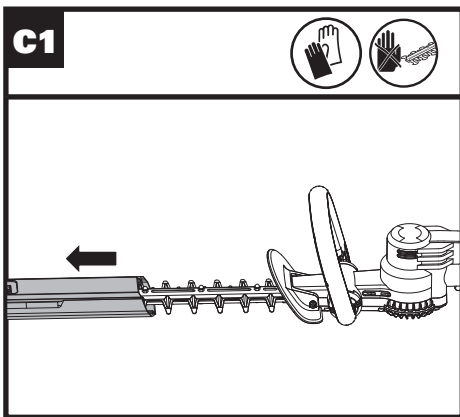
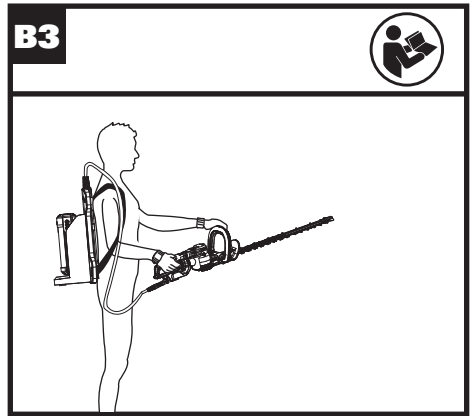
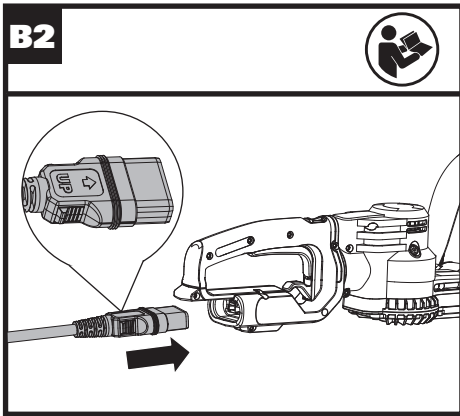
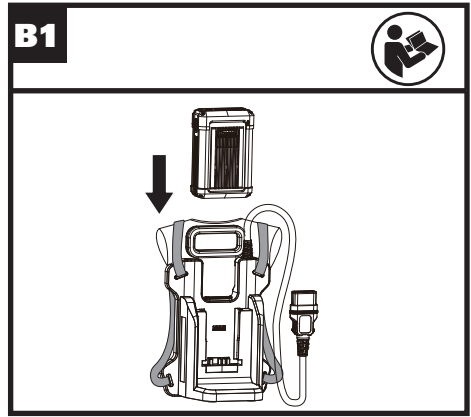
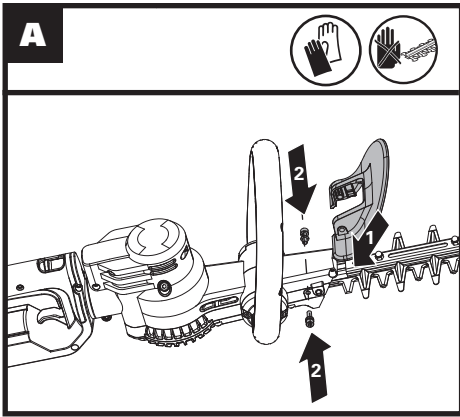
- c) **Do not expose battery pack to heat or fire. Avoid storage in direct sunlight.**
- d) **Do not subject battery pack to mechanical shock.**
- e) **In the event of battery leaking, do not allow the liquid to come into contact with the skin or eyes. If contact has been made, wash the affected area with copious amounts of water and seek medical advice.**
- f) **Seek medical advice immediately if a cell or battery pack has been swallowed.**
- g) **Keep battery pack clean and dry.**
- h) **Wipe the battery pack terminals with a clean dry cloth if they become dirty.**
- i) **Battery pack needs to be charged before use. Always refer to this instruction and use the correct charging procedure.**
- j) **Do not maintain battery pack on charge when not in use.**
- k) **After extended periods of storage, it may be necessary to charge and discharge the battery pack several times to obtain maximum performance.**
- l) **Recharge only with the charger specified by Kress. Do not use any charger other than that specifically provided for use with the equipment.**
- m) **Do not use any battery pack which is not designed for use with the equipment.**
- n) **Keep battery pack out of the reach of children.**
- o) **Retain the original product literature for future reference.**
- p) **Remove the battery from the equipment when not in use.**
- q) **Dispose of properly.**
- r) **Do not mix cells of different manufacture, capacity, size or type within a device.**
- s) **Do not remove battery pack from its original packaging until required for use.**
- t) **Observe the plus (+) and minus (-) marks on the battery and ensure correct use.**

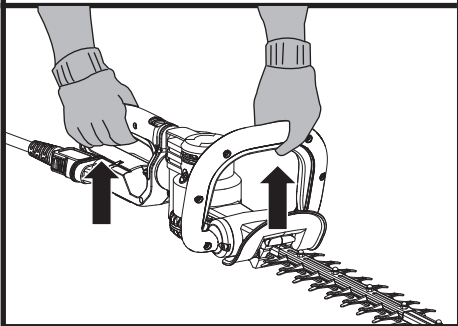
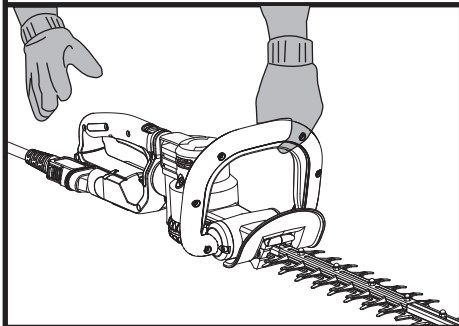
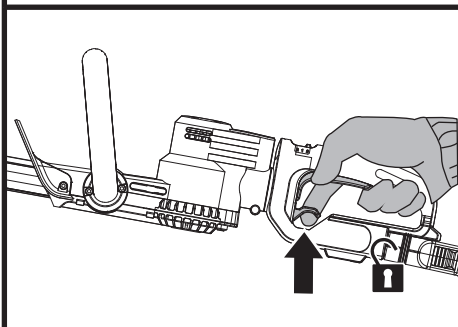
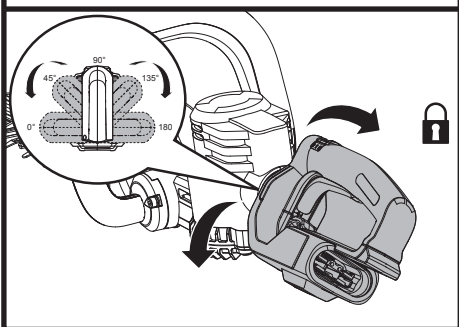
SYMBOLS

	To reduce the risk of injury, user must read instruction manual
	Warning

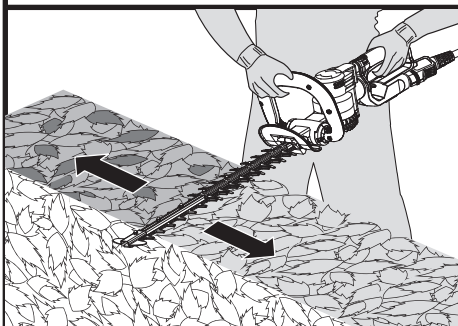
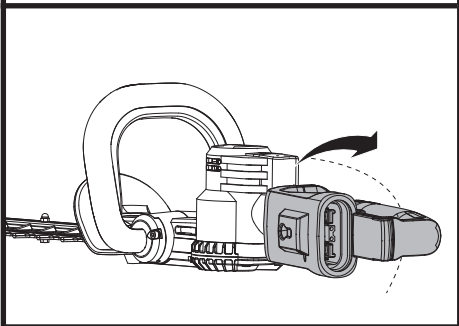
	Wear ear protection
	Wear eye protection
	Wear dust mask
	Keep hands away from blade
	Do not expose to rain
	Waste electrical products must not be disposed of with household waste. Please recycle where facilities exist. Check with your local authorities or retailer for recycling advice.
 Li-Ion	Li-Ion battery This product has been marked with a symbol relating to 'separate collection' for all battery packs and battery pack. It will then be recycled or dismantled in order to reduce the impact on the environment. Battery packs can be hazardous for the environment and for human health since they contain hazardous substances.
	Do not burn
	Batteries may enter water cycle if disposed improperly, which can be hazardous for ecosystem. Do not dispose of waste batteries as unsorted municipal waste.
	Remove battery from the socket before carrying out any adjustment, servicing or maintenance.

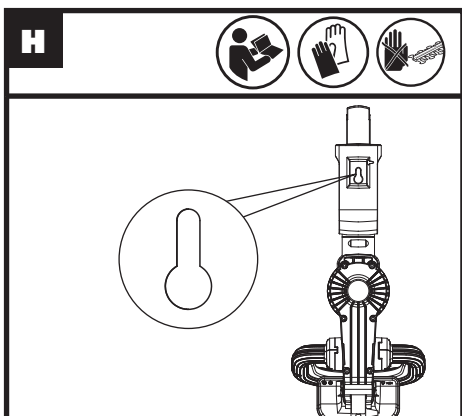
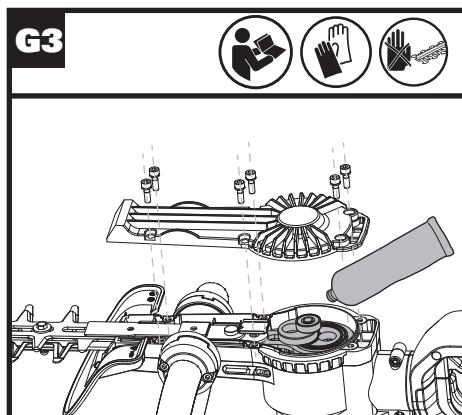
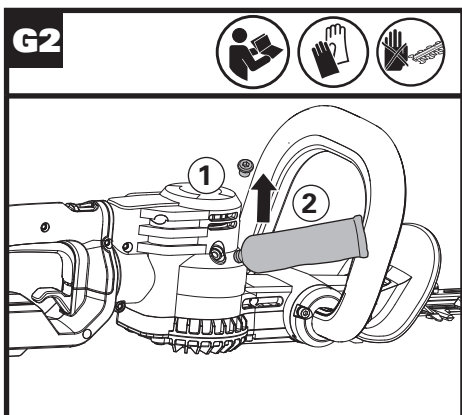
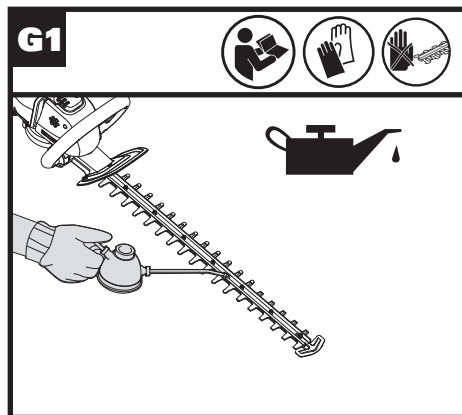
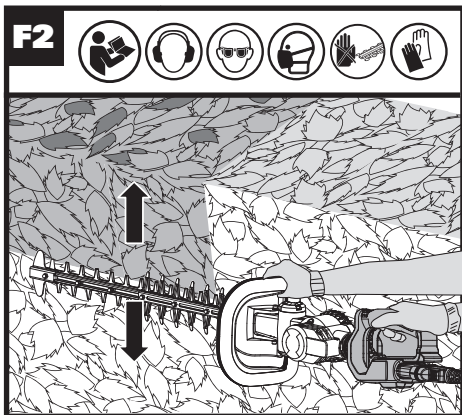




C3**C4****D1****D2**

8

E**F1****Cordless Hedge Trimmer****KG259E KG259E.X
KG260E KG260E.X**




COMPONENT LIST

1. LOCKING SWITCH FOR ROTATING
2. REAR SWITCH LEVER
3. ROTATING REAR HANDLE
4. TWO-GEAR SPEED CONTROL BUTTON
5. FRONT HANDLE
6. FRONT SWITCH LEVER
(ALL AROUND SWITCH FUNCTION)
7. SAFETY GUARD
8. BLADE
9. TIP PROTECTOR
10. BLADE GUARD
11. METAL GEAR BOX
12. BLADE SHEATH
13. BACKPACK HARNESS

*Not all the accessories illustrated or described are included in standard delivery.

TECHNICAL DATA

Type **KG259E KG259E.X KG260E KG260E.X**
(250-299- designation of machinery,
representative of cordless hedge trimmer)

	KG259E KG259E.X**	KG260E KG260E.X**
Voltage	60 V  Max**	
No-load speed	3200 /min	
Blade length	58 cm	67 cm
Blade gap	34 mm	
Max. cutting length	48 cm	57cm
Handle rotation angle	180 degrees total	
Machine Weight (bare tool)	3.4 kg	3.6 kg

*Voltage measured without workload. Initial battery voltage reaches maximum of 60 volts. Nominal voltage is 54 volts.

**X=1-999, A-Z, M1-M9 there are only used for different customers, there are no safe relevant changes between these models.

SUGGESTED BATTERIES AND CHARGERS

Category	Type	Capacity
60V Battery	KA3000	2.0 Ah
	KA3001	2.5 Ah
	KA3002	4.0 Ah
	KA3008	5.0 Ah
60V Charger	KA3714	5.0 A

We recommend that you purchase your accessories from the same store that sold you the tool. Refer to the accessory packaging for further details. Store personnel can assist you and offer advice.

NOISE INFORMATION

A weighted sound pressure	$L_{pA} = 82.2 \text{ dB(A)}$ $K_{pA} = 3 \text{ dB(A)}$
A weighted sound power	$L_{wA} = 90.2 \text{ dB(A)}$ $K_{wA} = 3 \text{ dB(A)}$

Wear ear protection



VIBRATION INFORMATION

Vibration total values (triax vector sum) determined according to EN 62841:

Vibration emission value: $a_n = 4.0 \text{ m/s}^2$

Uncertainty $K = 1.5 \text{ m/s}^2$

The declared vibration total value and the declared noise emission value have been measured in accordance with a standard test method and may be used for comparing one tool with another.

The declared vibration total value and the declared noise emission value may also be used in a preliminary assessment of exposure.



WARNING: The vibration emission value during actual use of the power tool can differ from the declared value depending on the ways in which the tool is used dependant on the following examples and other variations on how the tool is used:

How the tool is used and the materials being cut or drilled.

The tool being in good condition and well maintained
The use the correct accessory for the tool and ensuring it is sharp and in good condition.


The tightness of the grip on the handles and if any anti vibration accessories are used.

Cordless Hedge Trimmer

KG259E KG259E.X KG260E KG260E.X


And the tool is being used as intended by its design and these instructions.

This tool may cause hand-arm vibration syndrome if its use is not adequately managed.

 **WARNING:** To be accurate, an estimation of exposure level in the actual conditions of use should also take account of all parts of the operating cycle such as the times when the tool is switched off and when it is running idle but not actually doing the job. This may significantly reduce the exposure level over the total working period.


Helping to minimise your vibration exposure risk. ALWAYS use sharp chisels, drills and blades. Maintain this tool in accordance with these instructions and keep well lubricated (where appropriate). If the tool is to be used regularly then invest in anti vibration accessories. Plan your work schedule to spread any high vibration tool use across a number of days.

OPERATING INSTRUCTIONS

 **NOTE:** Before using the tool, read the instruction book carefully.

Intended Use

The machine is intended for cutting and trimming hedges and bushes in domestic use.

 **WARNING:** Do not use the product without attaching the guard and front handle.

BEFORE OPERATION

Assembling the safety guard (See Fig. A)

Secure the safety guard onto the hedge trimmer with the screw.

Connecting the hedge trimmer to the backpack harness (See Fig. B1, B2, B3)

Install the battery pack into the backpack harness, then insert the plug into the machine. Put on the backpack harness.

More details can be found in backpack harness's manual.

OPERATION

Starting and Stopping

Before usage, remove the blade sheath first. (See Fig. C1)

There are two speed positions that you can choose according to your needs. (See Fig. C2)


Push the two-gear speed control to 1 or 2 position. Then, press the front switch lever and rear switch lever to start. (See Fig. C3)

Release the rear switch lever and front switch lever to stop. (See Fig. C4)

When the machine is not in use, turn the hedge trimmer off and disconnect it from the backpack harness.

Rotating rear handle (See Fig. D1, D2)

NOTE: Unlock the locking switch before rotating. After rotating the handle to the desired position, adjust it a little until a click can be heard.

 **WARNING:** Always make sure that the handle is locked in the desired position before operation.

Always make sure the locking switch is locked before starting the hedge trimmer. Do not rotate the handle when the trimmer is being operated.

HOW TO USE YOUR HEDGE TRIMMER

Before cutting an area, inspect it first and remove any foreign objects that could become thrown or entangled in the blades. Always hold the trimmer with both hands and with the blade away from you before turning it on. When trimming new growth, use a wide sweeping action so that the stems are fed directly into the blade. Allow the cutting blades to reach full speed before cutting. When operating, keep the cutting blades away from people and objects such as walls, large stones, trees, vehicles, etc.

If the blade stalls, immediately stop the trimmer. Release the two Switch Levers before attempting to clear jammed debris from the cutting blades. Wear gloves when trimming thorny or prickly growth. Do not attempt to cut stems that are too thick for the cutting blade.

Top cutting (See Fig. E)

Use a wide sweeping motion. A slight downward tilt of the cutting blades in the direction of motion gives the best cutting results.

WARNING: If any parts are missing, damaged or broken, do not operate your hedge trimmer until all damaged parts have been replaced or repaired. Failure to do so could result in serious personal injury. **DO NOT USE WITHOUT FRONT HANDLE AND SAFETY GUARD.**

Side cutting (See Fig. F1, F2)

When trimming the sides of the hedge, begin at the bottom and cut upwards, tapering the hedge inward at the top. This shape will expose more of the hedge, resulting in a more uniformed growth.

WARNING: Stop operating the trimmer before rotating the handle.

LUBRICATING

Lubricating the Cutting Blade (See Fig. G1)


NOTE: It is important to use only the recommended standard lubricating oil (WD-40) to avoid damage to the blade.

Lubricating the Gear Box (See Fig. G2, G3)

Remove the screw plug from the gear housing. Lubricating the gear case through the oil-hole after every 150 hours operation. Remove the screws from the gear box cover, and remove the cover. Lubricating after every 300 hours operation.

NOTE: For best operation and longer lifetime, lubricate the hedge trimmer gear case with the grease (V-100).

SHARPENING

 **WARNING:** Do not operate your machine with dull or damaged cutting blades, which will cause overload and unsatisfactory performance. When cutting performance begins to deteriorate, please resharpen the blade.

Only sharpen the cutting edge. Do not grind blunt projecting parts of the cutting blade or its guard. Use a whetstone to remove burr from cutting edge. After sharpening, clean away the dust from the blade.

STORAGE


Clean the cutting blades after usage. Store the machine in a dry place, where is out of the reach of children and other unauthorized people. (See Fig. H)

MAINTENANCE

Remove the battery from hedge trimmer before carrying out any adjustment, servicing or maintenance.

There are no user serviceable parts in your power tool. Never use water or chemical cleaners to clean your power tool. Wipe clean with a dry cloth. Always store your power tool in a dry place. Keep the motor ventilation slots clean. Keep all working controls free of dust.

ENVIRONMENTAL PROTECTION

 Waste electrical products must not be disposed of with household waste. Please recycle where facilities exist. Check with your Local Authority or retailer for recycling advice.

DECLARATION OF CONFORMITY

We,
Positec Germany GmbH
Postfach 680194, 50704 Cologne, Germany

On behalf of Positec declare that the product
Description **Battery-powered Hedge Trimmer**
Type **KG259E KG259E.X KG260E KG260E.X**
(250-299 - designation of machinery, representative of cordless hedge trimmer)
Function **Trimming hedges and brushes**

Complies with the following Directives:
2006/42/EC
2014/30/EU
2011/65/EU&(EU)2015/863
2000/14/EC amended by 2005/88/EC

2000/14/EC amended by 2005/88/EC:
- Conformity Assessment Procedure as per **Annex V**
- Measured Sound Power Level **90.2 dB (A)**
- Declared Guaranteed Sound Power Level **94 dB (A)**

Standards conform to,
EN 62841-1, EN 62841-4-2, EN ISO 3744, EN IEC 55014-1, EN IEC 55014-2, EN IEC 63000

The person authorized to compile the technical file,
Name Marcel Filz
Address Positec Germany GmbH
Postfach 680194, 50704 Cologne, Germany



2024/3/19
Allen Ding
Deputy Chief Engineer, Testing & Certification
Positec Technology (China) Co., Ltd
18, Dongwang Road, Suzhou Industrial
Park, Jiangsu 215123, P. R. China

Cordless Hedge Trimmer

KG259E KG259E.X
KG260E KG260E.X

DECLARATION OF CONFORMITY

We,
Positec (UK & Ireland) Ltd.
PO Box 6242, Newbury, RG14 9LT, UK

On behalf of Positec declare that the product
Description **Battery-powered Hedge Trimmer**
Type **KG259E KG259E.X KG260E KG260E.X**
(250-299 - designation of machinery,
representative of cordless hedge trimmer)
Function **Trimming hedges and brushes**

Complies with the following regulations:
Supply of Machinery (Safety) Regulations 2008
Electromagnetic Compatibility Regulations 2016
The Restriction of the Use of Certain Hazardous
Substances in Electrical and Electronic
Equipment Regulations

Noise Emission in the Environment by Equipment for
Use Outdoors Regulations

- Conformity Assessment Procedure as per

SCHEDULE 8

- Measured Sound Power Level **90.2 dB (A)**
- Declared Guaranteed Sound Power Level **94 dB (A)**

Standards conform to,
BS EN 62841-1, BS EN 62841-4-2, BS EN ISO
3744, BS EN IEC 55014-1, BS EN IEC 55014-2,
BS EN IEC 63000

The person authorized to compile the technical file,

Name Jim Kirkwood
Address Positec (UK & Ireland) Ltd.,
PO Box 6242, Newbury, RG14 9LT, UK



2024/3/19
Allen Ding
Deputy Chief Engineer, Testing & Certification
Positec Technology (China) Co., Ltd
18, Dongwang Road, Suzhou Industrial
Park, Jiangsu 215123, P. R. China

Kress 

Copyright © 2024, Positec. All Rights Reserved.
AR01570103