

Kress

Commercial



SAFETY AND OPERATING MANUAL

Battery Belt

KAC903

TABLE OF CONTENTS

Introduction.....	3
Component list.....	4
Product safety.....	5
Assembly & operation.....	5
Maintenance and cleaning.....	7
Storage.....	7
Troubleshooting.....	7
Technical data.....	7

INTRODUCTION

Dear Customer,

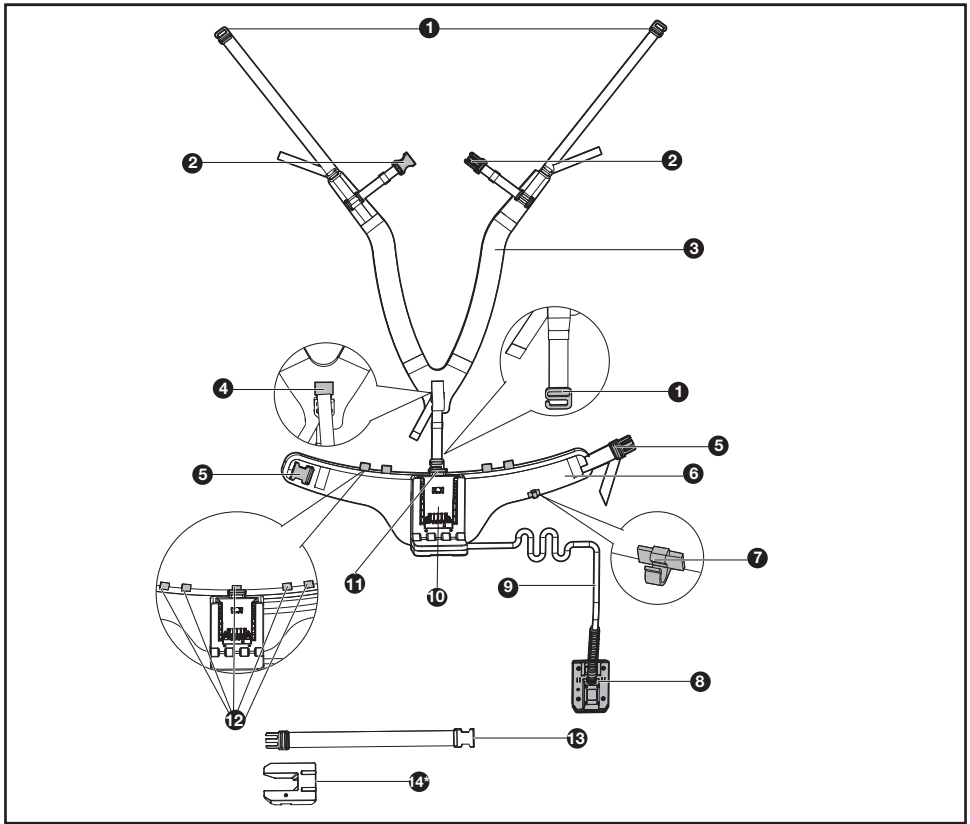
Thank you for buying this Kress Commercial product. We are dedicated to developing high quality products to meet your commercial landscaping requirements.

The Kress brand is synonymous with premium quality service. Over the years of your product's life, if you have any questions or concerns about your product, please contact your dealer or our Customer Service Team for assistance.

We are confident you will enjoy working with your Kress product for years to come.

INTENDED USE

This battery belt allows for the battery to be moved off the tool and placed on the belt. This moves the weight of the battery onto your waist rather than your arms. This allows you to work for longer, with less fatigue.



COMPONENT LIST

- | | |
|-----|-------------------------------|
| 1. | BELT HOOK |
| 2. | CHEST BUCKLE |
| 3. | SHOULDER STRAP |
| 4. | VELCRO STRAP |
| 5. | WAIST BUCKLE |
| 6. | WAIST BELT |
| 7. | CABLE MANAGEMENT FASTENER |
| 8. | BATTERY ADAPTOR |
| 9. | CABLE |
| 10. | BATTERY MOUNTING BASE |
| 11. | BATTERY RELEASE BUTTON |
| 12. | SHOULDER BELT ATTACHING RINGS |
| 13. | BELT EXTENSION STRAP * |
| 14. | WEIGHT KIT * |

* Not all the accessories illustrated or described are included in standard delivery.

ORIGINAL INSTRUCTIONS

PRODUCT SAFETY

GENERAL POWER TOOL

SAFETY WARNINGS





WARNING Read all safety warnings, instructions, illustrations and specifications provided with this power tool. Failure to follow all instructions listed below may result in electric shock, fire and/or serious injury.

Save all warnings and instructions for future reference.

The term "power tool" in the warnings refers to your mains-operated (corded) power tool or battery-operated (cordless) power tool.

WARNING: For use only with all Kress 60V portable batteries. Store indoors. Before use, please carefully read the product manual and the battery pack manual.

SYMBOLS

	To reduce the risk of injury, user must read instruction manual.
	Warning
	Remove battery from the harness before carrying out any adjustment, servicing or maintenance.
	RCM marking

ABN: Australian Business Number. By this number, business information such as entity type, status, business location etc. can be found at website <http://abr.business.gov.au>.
 ABN of Positec Australia Pty Limited is 14 101 682 357

ASSEMBLY & OPERATION

NOTE: Before using the tool, read the instruction book carefully.

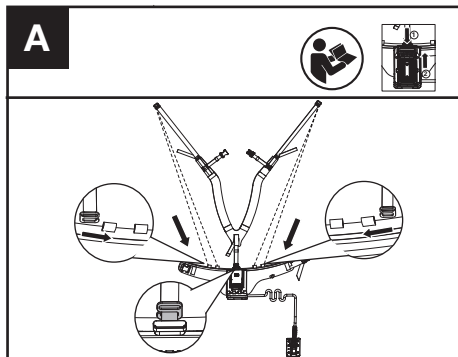
WARNING: This battery belt can only be used with Kress cordless handheld tools.

BEFORE OPERATION

NOTE: Check the Kress batteries carefully to make sure that no parts are damaged or missing. If any damage occurred, please contact Service Agent.

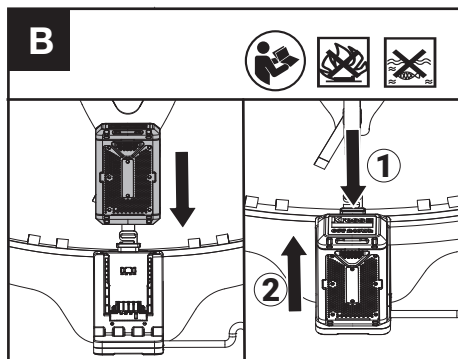
OPERATION

Assemble the battery belt. (See Fig. A)



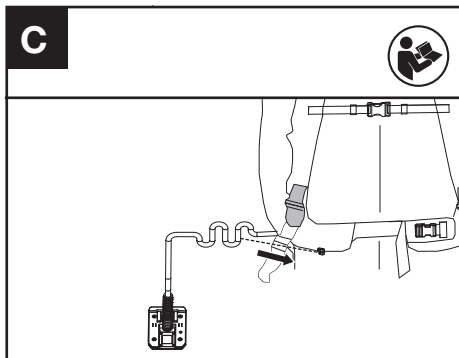
1. When fitting the shoulder strap to the waist strap, first, attach the belt hook on the shoulder strap to the belt attaching ring which is in the middle of waist strap.
2. Then, based on your height and weight, attach other hooks to the suitable belt attaching rings.

Install / Remove the battery pack. (See Fig. B)



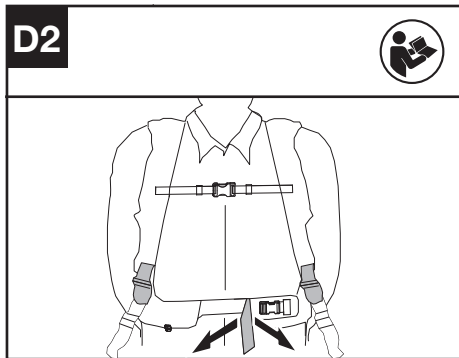
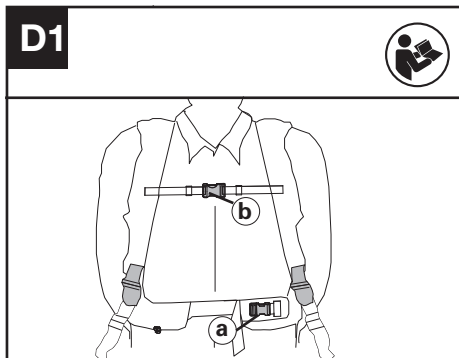
1. Align the battery pack to the battery mounting base, then slide it into the base to install the battery.
2. Press the battery pack release button, then lift the battery pack along the mounting base to remove the battery.

Fix the cable into waist belt positions.
(See Fig. C)



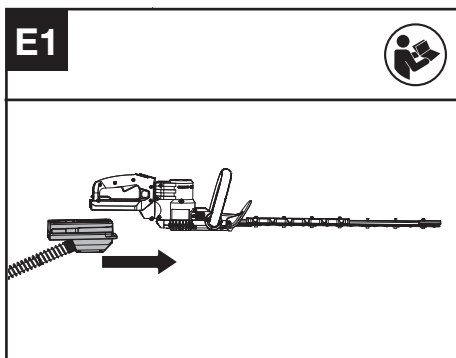
It is suggested to fix the cable into the cable management fastener during operation so as to avoid obstructions by cluttered cables.

Adjust the battery belt. (See Fig. D1, D2)



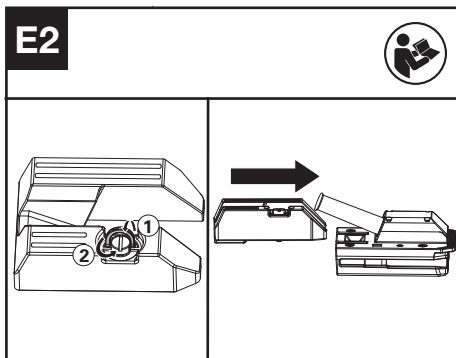
1. Before adding the battery to the belt, first, choose a suitable shoulder strap fitting as shown in Fig. A.
2. Then snap the waist buckle(a) and chest buckle(b). (See Fig. D1)
3. Finally, adjust the length of waist strap in order to make sure it is securely positioned in your hips. (See Fig. D2)

Connect the battery belt with your machine.
(See Fig. E1, E2, E3)



1. Insert the battery adaptor into the Kress cordless handheld tool. Follow the instructions in the tool's manual to start the tool. Always remove the adaptor from the tool after use.

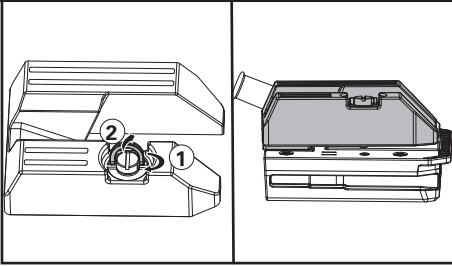
NOTE: If you hear a beeping sound during operation, it could indicate a short circuit due to power cord damage. Please stop working immediately. Remove the battery pack, and check the power cord. Replace the power cord if damaged.



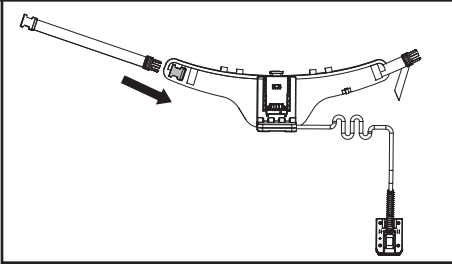
NOTE: For better balance and weight distribution when connecting the battery belt to a grass trimmer or blower a weight balance kit (KAC939) can be used.

1. Lift the ring and rotate the screw in a counter-clockwise direction, then slide the weight onto the battery adaptor. (See Fig. E2)
2. Rotate the screw in a clockwise direction to secure this to the battery adaptor. Insert the battery adaptor into the Kress handheld tool as required. (See Fig. E3)

⚠ WARNING: Before connection, make sure your machine is turned off. When operating, wear protective gloves.

E3

Attach the extended strap to the waist belt.
(See Fig. F)

F

Use the extended strap if the waist belt is not long enough for usage.

MAINTENANCE AND CLEANING

Use soft brush to clean the debris on the surface of battery belt. Never use water or chemical cleaners to clean your battery belt. Wipe off any moisture with a soft dry cloth as moisture can cause a shock hazard.

WARNING: Remove the battery and adaptor from the battery belt before carrying out any adjustment, servicing or maintenance.

STORAGE

Always store your battery belt in an enclosed space that is inaccessible to children. Keep all working controls free of dust. Keep away from corrosive agents. Do not place any objects on top of the battery belt and put the battery belt on the flat floor.

TROUBLE SHOOTING

The following table gives problems and actions that you can perform if your machine does not operate correctly.



WARNING: Switch the machine off and remove the battery prior to any troubleshooting.

Problem	Possible cause	Solution
The tool fails to operate.	1. Battery not (properly) inserted. 2. No electrical contact between the battery pack and backpack belt. 3. The battery pack is depleted. 4. No electrical contact between the adaptor and tool.	1. Properly insert battery into backpack belt. 2. Remove the battery pack and check the contact. Then reinstall the battery pack. 3. Charge the battery pack. 4. Disconnect the adaptor from the tool, then reconnect them.
There is a beep sound during operation.	Short circuit due to power cord damage.	Stop working immediately. Remove the battery pack, and replace the power cord.

EN

TECHNICAL DATA

	KAC903
Suitable battery pack	Kress 60V portable battery
Weight (Without battery)	1.8 kg

We recommend that you purchase your accessories from the same Dealer that sold you the tool. Refer to the accessory packaging for further details. Your Dealer can assist you and offer advice.

Positec Australia Pty Limited
10 Corporate Blvd Bayswater, VIC 3153, Australia



Copyright © 2024, Positec. All Rights Reserved.
AR01746102