

Kress

Commercial



SAFETY AND OPERATING MANUAL

60V Commercial Brush Cutter

KC170 KC170.X

TABLE OF CONTENTS

Introduction.....	3
Component List.....	4
Product Safety.....	6
Assembly & Operation.....	9
Transportation.....	13
Maintenance.....	15
Cleaning.....	15
Storage.....	15
Troubleshooting.....	16
Technical Data.....	17

INTRODUCTION

Dear Customer,

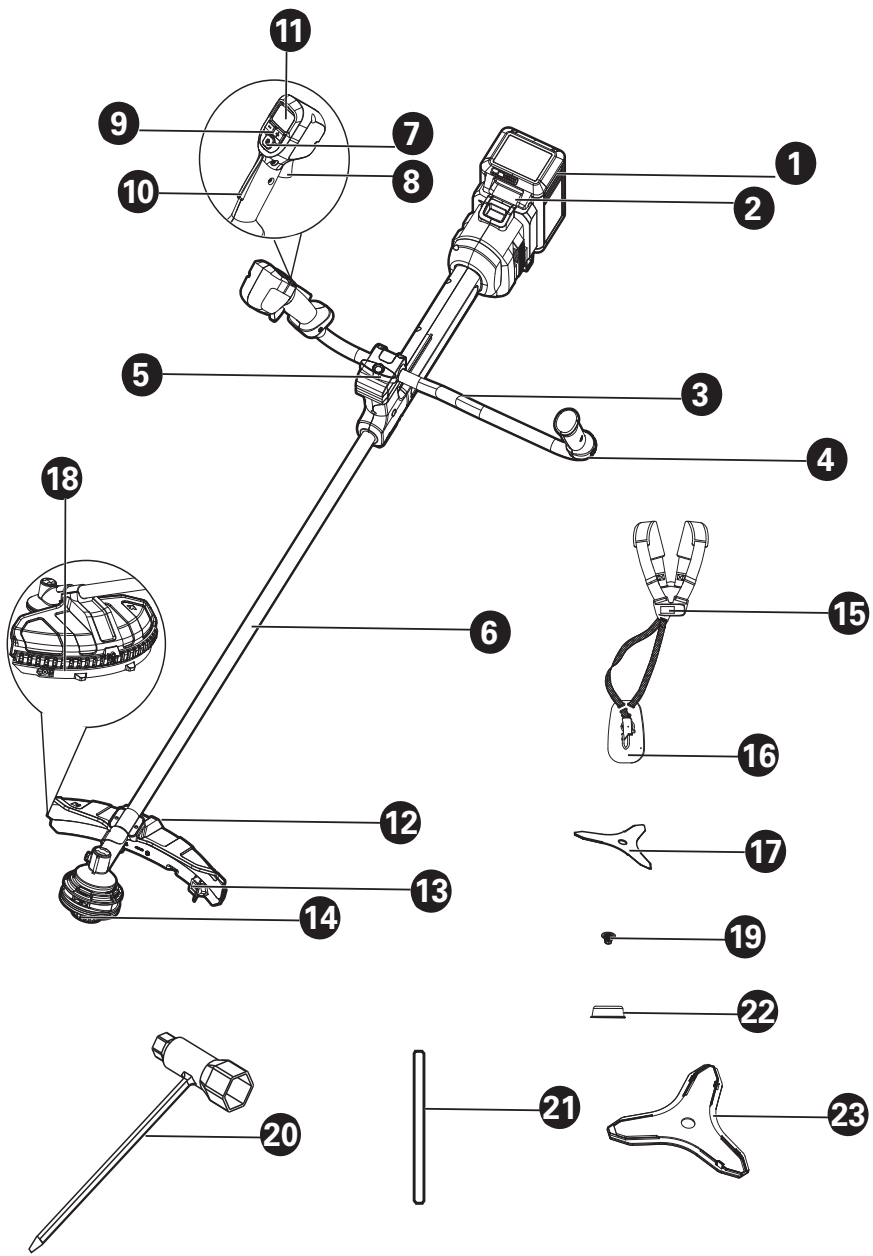
Thank you for buying this Kress Commercial product. We are dedicated to developing high quality products to meet your commercial landscaping requirements.

The Kress brand is synonymous with premium quality service. Over the years of your product's life, if you have any questions or concerns about your product, please contact your dealer or our Customer Service Team for assistance.

We are confident you will enjoy working with your Kress product for years to come.

INTENDED USE

This machine is intended for cutting grass and high weeds that cannot be reached with a lawn mower. This machine is also used on areas with slopes not conducive to mowing.



COMPONENT LIST

1. BATTERY PACK *

2. BATTERY REALEASE BUTTON

3. BIKE HANDLE

4. HAND GRIP

5. CLAMP BOLT

6. SHAFT

7. ON/OFF BUTTON

8. THROTTLE TRIGGER

9. CONTROL BUTTON

10. OPERATOR PRESENCE SWITCH

11. SCREEN

12. GUARD ASSEMBLY

13. LINE-CUTTING BLADE

14. TRIMMER HEAD

15. HARNESS BUCKLE

16. HIP-PAD

17. 3-TEETH BLADE

18. SKIRT

19. NUT

20. ALLEN WRENCH

21. STOP PIN

22. BLADE FIXED COVER

23. BLADE SHEATH

* Not all the accessories illustrated or described are included in standard delivery.

PRODUCT SAFETY

GENERAL POWER TOOL

SAFETY WARNINGS



WARNING Read all safety warnings, instructions, illustrations and specifications provided with this power tool. Failure to follow all instructions listed below may result in electric shock, fire and/or serious injury.

Save all warnings and instructions for future reference.

The term "power tool" in the warnings refers to your mains-operated (corded) power tool or battery-operated (cordless) power tool.

1) Work area safety

- a) **Keep work area clean and well lit.** Cluttered or dark areas invite accidents.
- b) **Do not operate power tools in explosive atmospheres, such as in the presence of flammable liquids, gases or dust.** Power tools create sparks which may ignite the dust or fumes.
- c) **Keep children and bystanders away while operating a power tool.** Distractions can cause you to lose control.

2) Electrical safety

- a) **Power tool plugs must match the outlet. Never modify the plug in any way. Do not use any adapter plugs with earthed (grounded) power tools.** Unmodified plugs and matching outlets will reduce risk of electric shock.
- b) **Avoid body contact with earthed or grounded surfaces, such as pipes, radiators, ranges and refrigerators.** There is an increased risk of electric shock if your body is earthed or grounded.
- c) **Do not operate the machine in rain or wet conditions.** This may increase the risk of electric shock. Once got wet in the rain during operation, the machine and the battery should be dried before storing or charging. Remove the battery and reinsert it if the machine fails to turn on. Keep battery connection free of dirt and debris, and clean with a soft and dry brush or cloth.
- d) **Do not abuse the cord. Never use the cord for carrying, pulling or unplugging the power tool. Keep cord away from heat, oil, sharp edges or moving parts.** Damaged or entangled cords increase the risk of electric shock.
- e) **When operating a power tool outdoors, use an extension cord suitable for outdoor use.** Use of a cord suitable for outdoor use reduces the risk of electric shock.
- f) **If operating a power tool in a damp location is unavoidable, use a residual current device (RCD) protected supply.** Use of an RCD reduces the risk of electric shock.

3) Personal safety

- a) **Stay alert, watch what you are doing and use common sense when operating a power**

tool. Do not use a power tool while you are tired or under the influence of drugs, alcohol or medication. A moment of inattention while operating power tools may result in serious personal injury.

- b) **Use personal protective equipment. Always wear eye protection.** Protective equipment such as dust mask, non-skid safety shoes, hard hat, or hearing protection used for appropriate conditions will reduce personal injuries.
 - c) **Prevent unintentional starting. Ensure the switch is in the off-position before connecting to power source and/or battery pack, picking up or carrying the tool.** Carrying power tools with your finger on the switch or energising power tools that have the switch on invites accidents.
 - d) **Remove any adjusting key or wrench before turning the power tool on.** A wrench or a key left attached to a rotating part of the power tool may result in personal injury.
 - e) **Do not overreach. Keep proper footing and balance at all times.** This enables better control of the power tool in unexpected situations.
 - f) **Dress properly. Do not wear loose clothing or jewellery. Keep your hair and clothing away from moving parts.** Loose clothes, jewellery or long hair can be caught in moving parts.
 - g) **If devices are provided for the connection of dust extraction and collection facilities, ensure these are connected and properly used.** Use of dust collection can reduce dust-related hazards.
 - h) **Do not let familiarity gained from frequent use of tools allow you to become complacent and ignore tool safety principles.** A careless action can cause severe injury within a fraction of a second.
- #### 4) Power tool use and care
- a) **Do not force the power tool. Use the correct power tool for your application.** The correct power tool will do the job better and safer at the rate for which it was designed.
 - b) **Do not use the power tool if the switch does not turn it on and off.** Any power tool that cannot be controlled with the switch is dangerous and must be repaired.
 - c) **Disconnect the plug from the power source and/or remove the battery pack, if detachable, from the power tool before making any adjustments, changing accessories, or storing power tools.** Such preventive safety measures reduce the risk of starting the power tool accidentally.
 - d) **Store idle power tools out of the reach of children and do not allow persons unfamiliar with the power tool or these instructions to operate the power tool.** Power tools are dangerous in the hands of untrained users.
 - e) **Maintain power tools and accessories. Check for misalignment or binding of moving parts, breakage of parts and any other condition that may affect the power tool's operation.** If damaged, have the power tool repaired before use. Many accidents are caused by poorly

maintained power tools.

- f) **Keep cutting tools sharp and clean.** Properly maintained cutting tools with sharp cutting edges are less likely to bind and are easier to control.
 - g) **Use the power tool, accessories and tool bits etc. in accordance with these instructions, taking into account the working conditions and the work to be performed.** Use of the power tool for operations different from those intended could result in a hazardous situation.
 - h) **Keep handles and grasping surfaces dry, clean and free from oil and grease.** Slippery handles and grasping surfaces do not allow for safe handling and control of the tool in unexpected situations.
- 5) **Battery tool use and care**
- a) **Recharge only with the charger specified by the manufacturer.** A charger that is suitable for one type of battery pack may create a risk of fire when used with another battery pack.
 - b) **Use power tools only with specifically designated battery packs.** Use of any other battery packs may create a risk of injury and fire.
 - c) **When battery pack is not in use, keep it away from other metal objects, like paper clips, coins, keys, nails, screws or other small metal objects, that can make a connection from one terminal to another.** Shorting the battery terminals together may cause burns or a fire.
 - d) **Under abusive conditions, liquid may be ejected from the battery; avoid contact. If contact accidentally occurs, flush with water. If liquid contacts eyes, additionally seek medical help.** Liquid ejected from the battery may cause irritation or burns.
 - e) **Do not use a battery pack or tool that is damaged or modified.** Damaged or modified batteries may exhibit unpredictable behaviour resulting in fire, explosion or risk of injury.
 - f) **Do not expose a battery pack or tool to fire or excessive temperature.** Exposure to fire or temperature above 130 °C may cause explosion.
 - g) **Follow all charging instructions and do not charge the battery pack or tool outside the temperature range specified in the instructions.** Charging improperly or at temperatures outside the specified range may damage the battery and increase the risk of fire.
- 6) **Service**
- a) **Have your power tool serviced by a qualified repair person using only identical replacement parts.** This will ensure that the safety of the power tool is maintained.
 - b) **Never service damaged battery packs.** Service of battery packs should only be performed by the manufacturer or authorized service providers.

tired, ill or under the influence of alcohol or other drugs.

- 2. Keep a firm footing and balance during operating. Use the harness provided.
- 3. Replace cutting blade if cracked, chipped, or damaged in any way. Be sure the blade is properly installed and securely fastened. Failure to do so can cause serious injury.
- 4. Keep away from cutting blade. Even after the motor has stopped, the cutting blade will continue to rotate for several seconds. Please wait until cutting blade has fully stopped before putting the machine down or accessing the cutting area.
- 5. Switch off the machine when not cutting. Never leave the machine running when unattended.

SAFETY WARNINGS FOR BATTERY PACK

- a) **Do not dismantle, open or shred cells or battery pack.**
- b) **Do not short-circuit a battery pack. Do not store battery packs haphazardly in a box or drawer where they may short-circuit each other or be short-circuited by conductive materials.** When battery pack is not in use, keep it away from other metal objects, like paper clips, coins, keys, nails, screws or other small metal objects, that can make a connection from one terminal to another. Shorting the battery terminals together may cause burns or a fire.
- c) **Do not expose battery pack to heat or fire. Avoid storage in direct sunlight.**
- d) **Do not subject battery pack to mechanical shock.**
- e) **In the event of battery leaking, do not allow the liquid to come into contact with the skin or eyes. If contact has been made, wash the affected area with copious amounts of water and seek medical advice.**
- f) **Keep battery pack clean and dry.**
- g) **Wipe the battery pack terminals with a clean dry cloth if they become dirty.**
- h) **Battery pack needs to be charged before use. Always refer to this instruction and use the correct charging procedure.**
- i) **Do not maintain battery pack on charge when not in use.**
- j) **After extended periods of storage, it may be necessary to charge and discharge the battery pack several times to obtain maximum performance.**
- k) **Recharge only with the charger specified by Kress. Do not use any charger other than that specifically provided for use with the equipment.**
- l) **Do not use any battery pack which is not designed for use with the equipment.**
- m) **Keep battery pack out of the reach of children.**

BRUSH CUTTER AND BRUSH SAW SAFETY WARNINGS



- 1. Do not use the machine when the operator is


- n) Retain the original product literature for future reference.
- o) Remove the battery from the equipment when not in use.
- p) Dispose of properly.
- q) Do not mix cells of different manufacture, capacity, size or type within a device.
- r) Keep the battery away from microwaves and high pressure.
- s) **Warning! Do not use non-rechargeable batteries.**

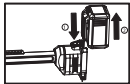


USER MANUAL REQUIREMENTS FOR WIRELESS PRODUCT

- a) Operation of this device is subject to the following two conditions:
 - (1) This device may not cause harmful interference, and
 - (2) this device must accept any interference received, including interference that may cause undesired operation.
- b) Caution: Changes or modifications to this unit not expressly approved by the party responsible for compliance could void the user's authority to operate the equipment.
- c) NOTE: This equipment generates, uses and can radiate radio frequency energy and, if not installed and used in accordance with the instructions, may cause harmful interference to radio communications. However, there is no guarantee that interference will not occur in a particular installation. If this equipment does cause harmful interference to radio or television reception, which can be determined by turning the equipment off and on, the user is encouraged to try to correct the interference by one or more of the following measures:
 - Reorient or relocate the receiving antenna.
 - Increase the separation between the equipment and receiver.
 - Connect the equipment into an outlet on a circuit different from that to which the receiver is connected.
 - Consult the dealer or an experienced radio/TV technician for help.

SYMBOLS


	To reduce the risk of injury, user must read instruction manual
	Wear eye protection

	Wear ear protection
	Wear dust mask
	Wear protective gloves
	Wear protective footwear
	Wear head protection
	Wear protective clothing
	The distance between the machine and bystanders shall be at least 15 m
	Beware of blade thrust
	Beware of thrown objects
	Li-Ion battery This product has been marked with a symbol relating to 'separate collection' for all battery packs and battery pack. It will then be recycled or dismantled in order to reduce the impact on the environment. Battery packs can be hazardous for the environment and for human health since they contain hazardous substances.
	Do not burn
	Batteries may enter water cycle if disposed improperly, which can be hazardous for ecosystem. Do not dispose of waste batteries as unsorted municipal waste.

	Make sure the battery is removed prior to changing accessories.
	Trimming
	RCM marking

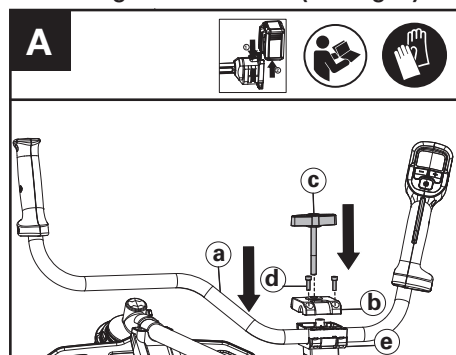
ABN: Australian Business Number. By this number, business information such as entity type, status, business location etc. can be found at website <http://abr.business.gov.au>.
 ABN of Positec Australia Pty Limited is 14 101 682 357

ASSEMBLY & OPERATION

 **NOTE:** Before using the tool, read the instruction book carefully.

BEFORE OPERATION:

Assembling the bike handle (See Fig. A)



1. Remove the battery pack before assembling the bike handle.
2. Place the bike handle(a) into the lower clamp molding(e). Then place the upper clamp molding (b) and clamp screw(c) in order as shown. Finally, tighten the screws(d) to finish the assembly.

Disassembly and assembly of the safety guard

WARNING:

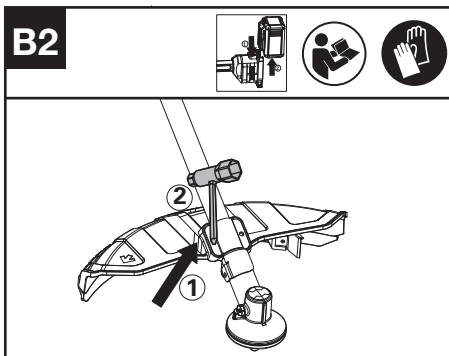
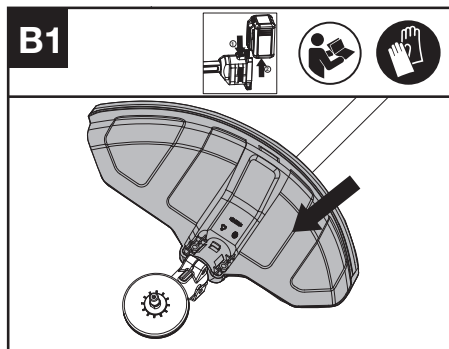
1. The battery pack must be removed before assembling or disassembling the safety guard.
2. In order to reduce the risk of injury and show maximum performance of cutting, the safety guard and cutting attachment must be approved.

Assembling the safety guard (See Fig B1,B2)

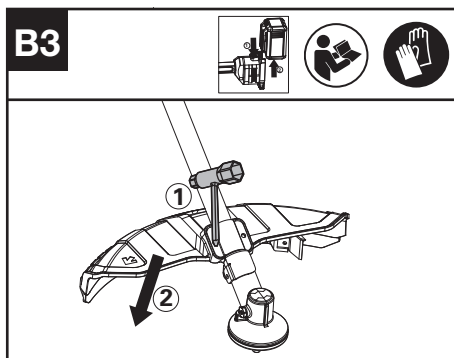
1. Place the safety guard into the position until the

safety guard is tight against the position. (See Fig B1)

2. Tighten the screws with a wrench to make sure the safety guard does not move during operation. (See Fig B2)



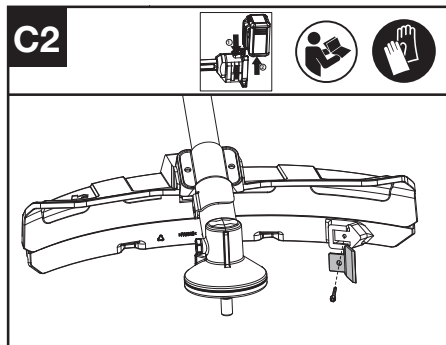
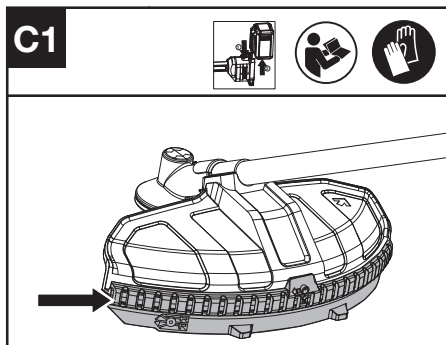
Removing the safety guard. (See Fig B3)



1. Remove the screws and release the safety guard.

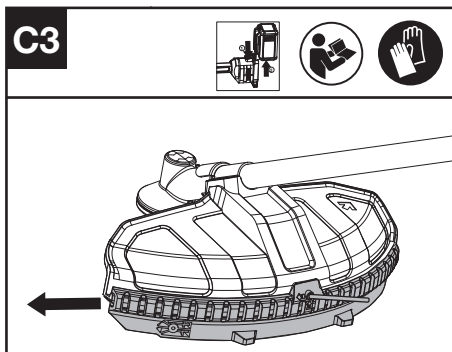
Disassembly and assembly of the skirt and line-cutting blade

Assembling the skirt and line-cutting blade.
(See Fig. C1,C2)



1. Slide the skirt along the bottom of the safety guide until the skirt reaches the end of safety guide.
2. Place the line-cutting blade into the position of the skirt. Tighten the screws until it is securely positioned in place.

Removing the skirt and line-cutting blade.
(See Fig. C3)



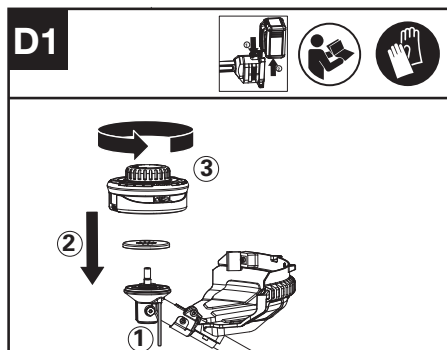
1. Insert the stop pin into the hole of the skirt as

shown and remove the skirt along the safety guard.

Disassembly and assembly of the trimmer head

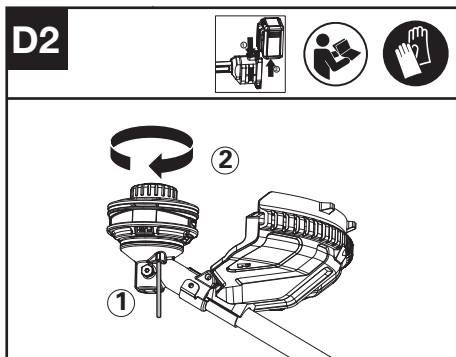
WARNING! A damaged or loose cutting attachment head may vibrate, crack, break or come off the brush cutter, which may result in serious or fatal injury or property damage. Make sure the trimmer head are properly and securely tightened and in good condition before starting work.

Assembling the trimmer head (See Fig. D1)



1. Position the brush cutter to make it easier for you to operate.
2. Place the trimmer head and inner flange in order as shown and rotate the trimmer head in counterclockwise position.

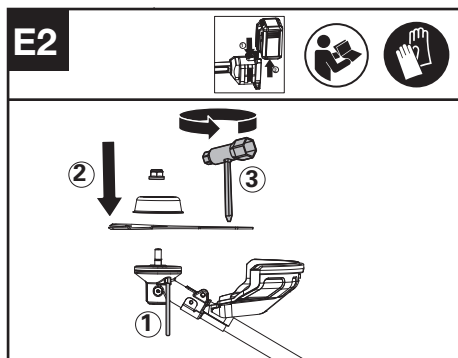
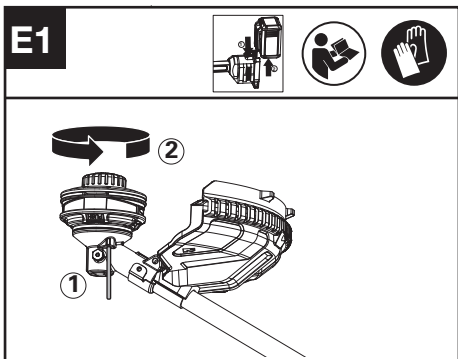
Removing the trimmer head. (See Fig. D2)



1. Insert the stop pin into the gearbox and rotate the trimmer head in clockwise position to remove the trimmer head.

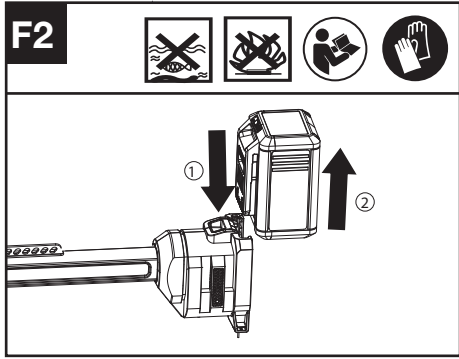
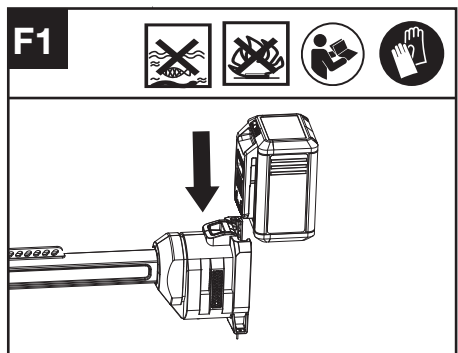
Disassembly and assembly of the 3-teeth blade

Assembling the 3-teeth blade (See Fig E1,E2)



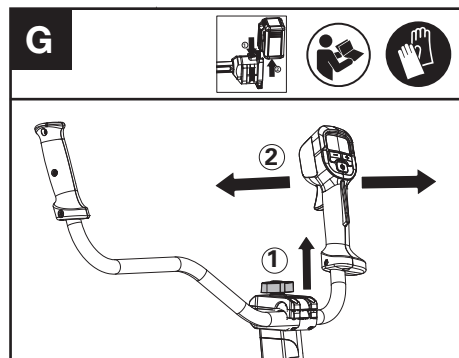
1. Position the brush cutter to make it easier for you to operate.
2. Insert the stop pin into the gearbox and rotate the trimmer head in clockwise position to remove the trimmer head.
3. Place the 3-teeth blade, rider plate, and nut in order and tighten together with allen wrench in counterclockwise position to install 3-teeth blade.

**Installing & removing the battery pack
(See Fig. F1, F2)**



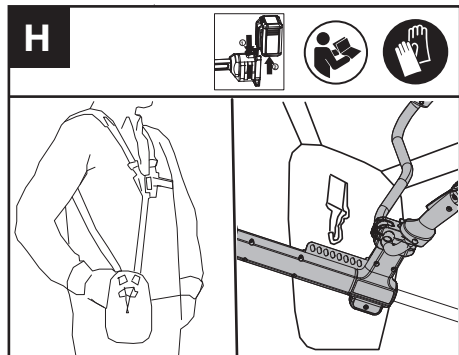
1. Slide the battery pack into the battery compartment until you hear a click.
2. Press the battery release button to release battery pack from your tool.

Adjusting the bike handle (See Fig. G)



1. Loosen the clamp bolt and adjust the bike handle to find the suitable position.(See Fig.G)
2. Tighten the clamp bolt until the handle cannot be moved.

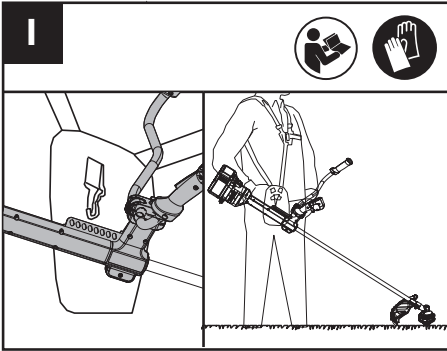
Adjusting the harness (See Fig. H)



1. Adjust the length of harness strap to make it

comfortable during operation while connecting the hip pad to the brush cutter.

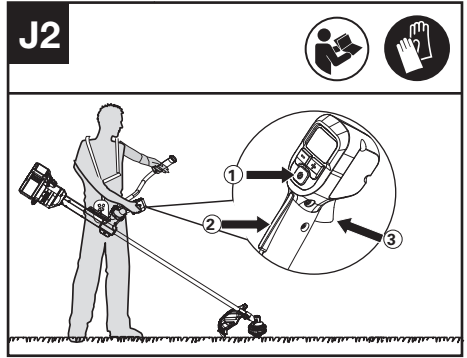
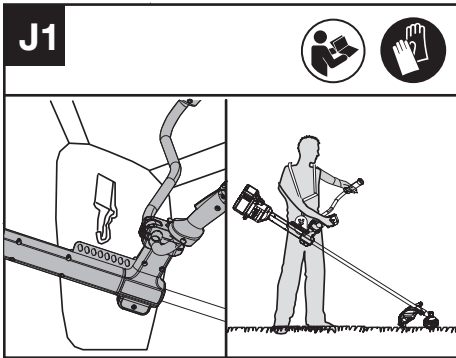
Balancing the Brush cutter (See Fig. I)



1. Put on the harness and connect hip pad to the brush cutter. Let the cutter hang on the harness until it stops moving. (The cutting attachment or the trimmer head should be relaxed over the ground).
Note: Adjust the connection between the hip pad and brush cutter if the brush cutter is not properly balanced.

OPERATION:

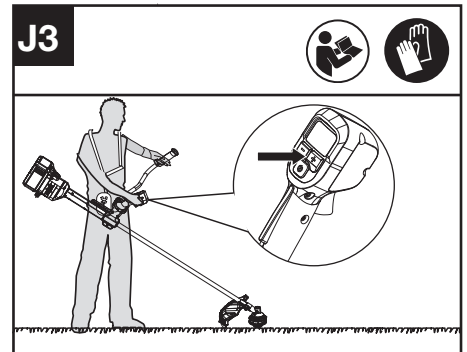
Starting the brush cutter (See Fig. J1, J2)



1. Connect the hip pad to the brush cutter.
2. Hold the brush cutter firmly with your right hand on the control handle – wrap your thumb around the handle. Hold the cutter with your left hand on the auxiliary handle– wrap your thumb around the handle.
3. Hold and press the On / Off Switch until the green LED is lit. The green LED shows the power level.
4. Press the Operator Presence Switch first, then press the Throttle Trigger to start the machine. The green LED for start/stop indication goes off after 5 seconds and the product needs to be restarted.

NOTE: The Operator Presence Switch is designed to prevent accidental operation. When you press the Operator Presence Switch it releases the Throttle Trigger.

Selecting the speed(See Fig. J3)



1. Power Levels can be selected depending on the application. Use the +/- to control the speed, which is as indicated by the LEDs. The higher the power level, the faster the tool runs.

Stopping the brush cutter

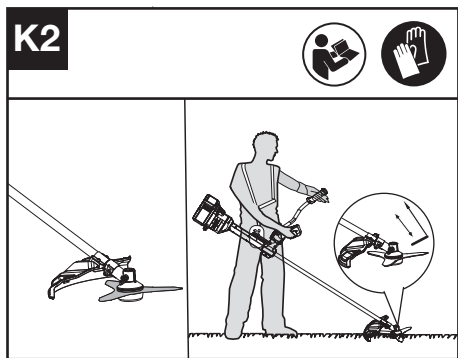
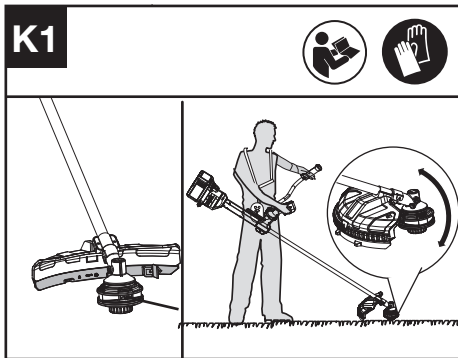
Release the Throttle Trigger to stop the machine.



WARNING! The cutting head continues to rotate after the cutter has been switched off;

wait until it has completely stopped then lay down the tool.

Choose the suitable blade for the application (See Fig. K1, K2)



1. When working with trimmer head and skirt, move the brush cutter back and forth on the ground as Fig K1 shown.
2. When working with cutting blade, sweep the brush cutter parallel to the ground in front of you. To reduce the risk of kick back, use the left side of the cutting blade.

NOTE

1. Use the tip of the cutting line to do trimming; do not force the trimmer head into uncut grass.
2. Wire and picket fences may cause extra cutting line wear and breakage. Stone and brick walls, curbs, and wood may wear cutting line rapidly.
3. Avoid trees and shrubs. Tree bark, wood moldings, siding, and fence posts can easily be damaged by the cutting line.
4. The selected power level affects the battery's runtime. The lower the power level, the longer the runtime. It is recommended to use the lowest power level unless in worse cutting condition.

TRANSPORTATION

Transporting the Brush cutter

1. Switch off the brush cutter and remove the battery.
2. When transporting your brush cutter by hand, hold the middle of shaft to make sure that your machine is parallel to the ground.
3. When transporting your brush cutter in a vehicle, secure and position it to prevent movement or damage.

Transporting the battery

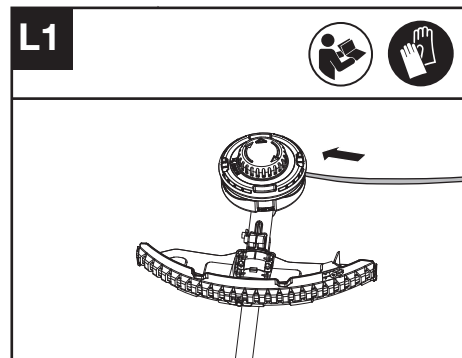
1. Ensure the battery is in a safe condition.
2. Use non-conductive packaging when transporting the battery.
3. The contained Li-Ion batteries are subject to the dangerous goods legislation requirements. Transport batteries only when the battery housing is undamaged. Pack up the batteries in such a manner that cannot move around in the packaging.

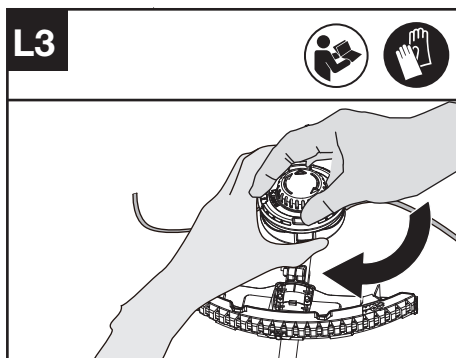
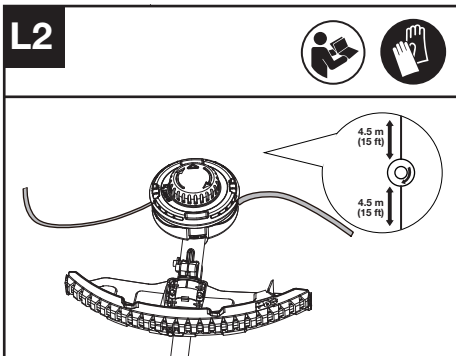
MAINTENANCE

WARNING! Always remove battery before conducting any maintenance on the brush cutter.

WARNING! Use of wire or metal-reinforced line is not authorized and could be extremely dangerous. Use only the cutting line recommended in this manual, in combination

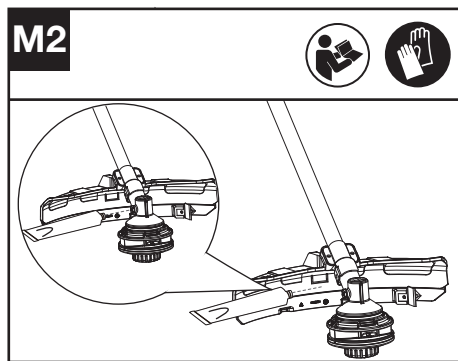
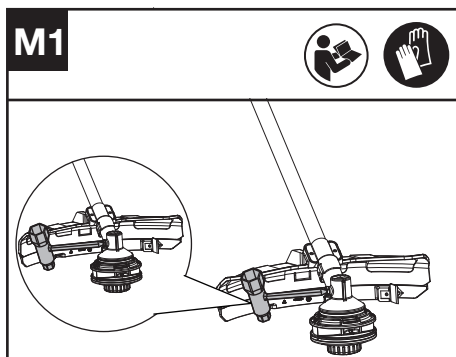
Winding the line (See Fig. L1, L2, L3)





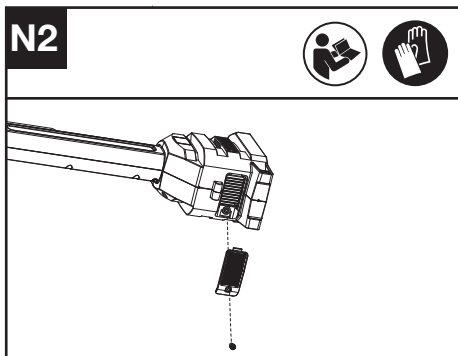
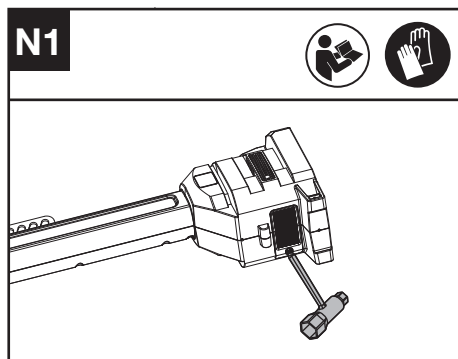
1. Insert the replacement line through the eyelet (LINE IN) and feed it through the other side. Ensure both ends of the line are even on each end of the trimmer head (recommended 4.5m) and cut the line. (See Fig. L1,L2)
2. Turn the knob clockwise to wind the line around the spool until about 16cm remains on either side. (See Fig. L3)

Lubricating the gearbox (See Fig. M1, M2)



1. Remove the screw on the gearbox.
2. If there is no grease on the end of the screw, squeeze 5 g of the gear grease into the gear housing.
3. Refit and tighten the screw firmly.
4. Install the battery and run the brush cutter for 1 minute to ensure the gear is evenly lubricated.

Cleaning the air filter (See Fig. N1, N2)



1. Clean the area around the air filter. Use a damp cloth or a soft brush.
2. Unscrew and remove the air filter.
3. Wash the air filter with running water to remove

the dirt.

4. Allow the air filter to dry in the air. And then install it in the housing by tightening the screw.

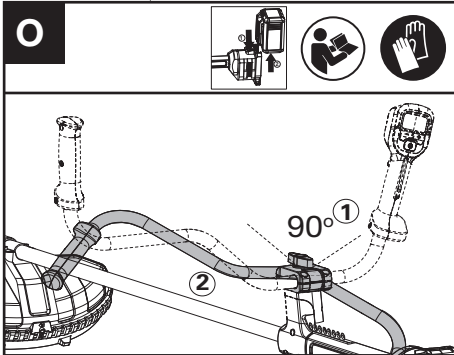
Maintenance intervals

It is recommended to lubricate the gearbox and clean the air filter every 50 hours of operation based on actual usage.

CLEANING

1. Switch off the brush cutter and remove the battery.
1. Do not use aggressive detergents or solvents. Clean the machine after use with a damp cloth dipped in mild detergent.
2. Keep battery connection free of dirt and debris, and clean with a soft and dry brush or cloth.
3. Do not spray water onto the motor and electrical components.
4. Do not use pressure washer to clean your machine.

STORAGE



1. Remove the battery pack from the brush cutter before storage.
2. Loosen the clamp bolt until the bike handle can be moved.
3. Rotate the bike handle 90° in a clockwise position and fold it down.
4. Tighten the clamp bolt until the handle cannot be moved.
5. Store the brush cutter and the battery in a dry and secure place that is inaccessible to children and other unauthorized people. Remove the cutting attachment if it will not be used for a long time.
6. Store the battery only within a temperature range between 5 °C (41 °F) and 25 °C (77 °F). As an example, do not leave the battery in the car in summer time.
7. Once got wet in the rain during operation, the machine and the battery should be dried before storing or charging. Remove the battery and

reinsert it if the machine fails to turn on.

For Battery tools

The recommended ambient temperature range for discharging is -20 °C (-4 °F ~ 113 °F).

The recommended ambient temperature range for the charging system during charging is -5 °C ~ 45 °C (23 °F ~ 113 °F).

TROUBLESHOOTING

The following table gives problems and actions that you can perform if your machine does not operate correctly.



WARNING: Switch the machine off and remove the battery prior to any troubleshooting.

BRUSH CUTTER


Problems	Possible Causes	Corrective Action
Battery indicator LED flashing	Low battery voltage.	Charge the battery.
Red error LED flashing	Overload.	The cutting attachment is jammed Deactivate the product. Remove the battery. Clean the cutting attachment from unwanted materials.
	Temperature issue.	Let the product cool down.
	The Throttle Trigger and the start/stop button are pressed at the same time.	Release Throttle Trigger. Perform the starting sequence again.
	Other problems	Contact Service Agent
The product does not start	Deris in the battery connectors.	Clean the battery connectors with compressed air or a soft brush.
	Other problems	Contact Service Agent.
Brush cutter runs intermittently	The battery is not fully inserted to the machine.	Insert the battery fully.
	Potential electrical issue.	Contact Service Agent.
Excessive vibrations/ noise.	Line balance issue.	Rewind the line.
	Cutting attachment issue. Machine defective.	Replace cutting attachment. Contact Service Agent.

BATTERY

Problems	Possible Causes	Corrective Action
Error LED lit	The battery is discharged	Charge the battery. If battery fails to charge, contact your Service Agent.
	Temperature issue.	Use the battery in surroundings where temperatures are between 5°C and 40°C (41°F to 104°F) for charge; -10°C to 50°C (14°F to 122°F) for discharge.
	Others	Contact your Service Agent.

TECHNICAL DATA

Type Designation: **KC170 KC170.X** (1-designation of machinery, representative of Cordless brush cutter)

	KC170 KC170.X **
Voltage	60 V  MAX ***
Cutting speed	4200 / 5100 / 5900 rpm
Cutting Diameter	42cm
Line Diameter	2.4 / 2.7 mm nylon line
Degree of protection	IPX4
Machine Weight (Bare tool)	5.5 kg

** X=1-999,A-Z,M1-M9 they are only used for different customers, there are no safety relevant changes between these models.

*** Voltage measured without workload. Initial battery voltage reaches maximum of 60 volts. Nominal voltage is 54 volts.

SUGGESTED BATTERIES AND CHARGERS

Battery	Capacity	Charger	Amperage
KAC804	4.0 Ah	KAC840	30 A
KAC810 (With Backpack Harness)	11.0 Ah		

We recommend that you purchase your accessories from the same Dealer that sold you the tool. Refer to the accessory packaging for further details. Your Dealer can assist you and offer advice.

TECHNICAL DATA FOR BATTERY PACK (OPTIONAL)

Frequency bands for Bluetooth	2400-2483.5 MHz
Maximum Output Power for Bluetooth	8 dBm

COMBINATIONS OF CUTTING ATTACHMENTS, DEFLECTORS, AND CARRYING SYSTEMS

Cutting attachment	Debris guard	Carrying system
- 4" Trimmer head (Optional, not included)	- Universal deflector with skirt	- Double shoulder harness - Backpack battery Harness with hip pad
- 5" Trimmer head		
- Knife blade	- Universal deflector without skirt	

Positec Australia Pty Limited
10 Corporate Blvd Bayswater , VIC 3153, Australia



Copyright © 2023, Positec. All Rights Reserved.
AR01722900