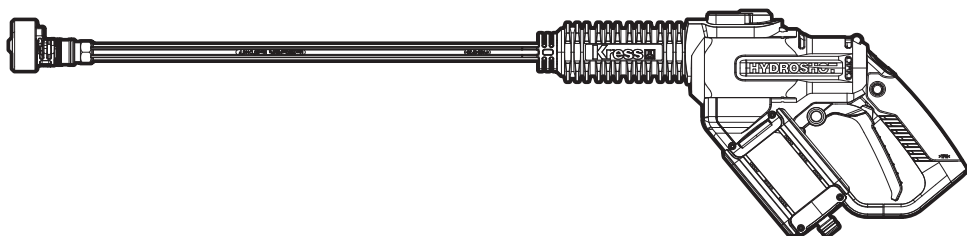
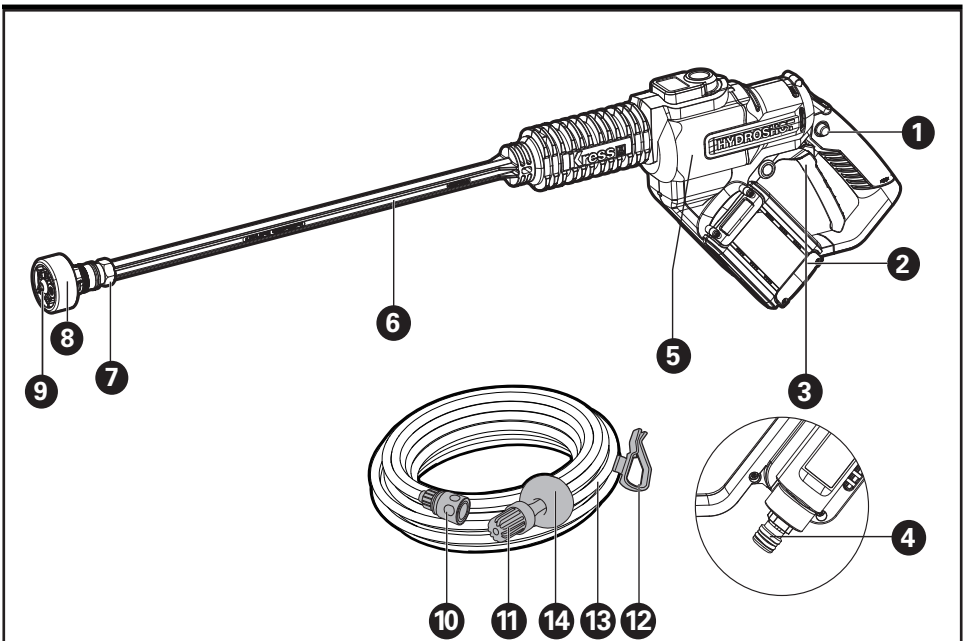


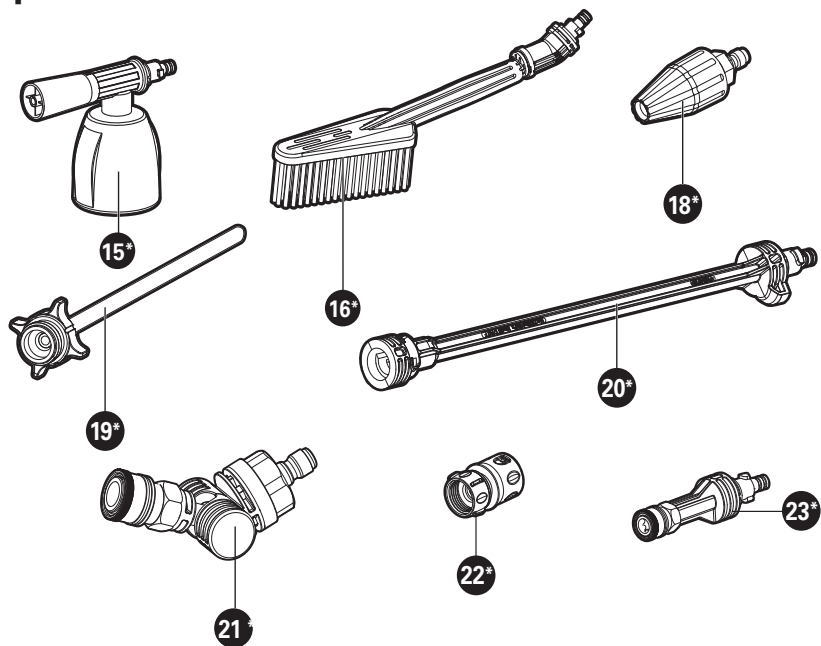
# Kress

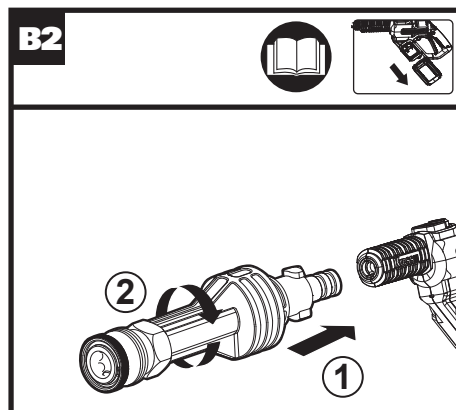
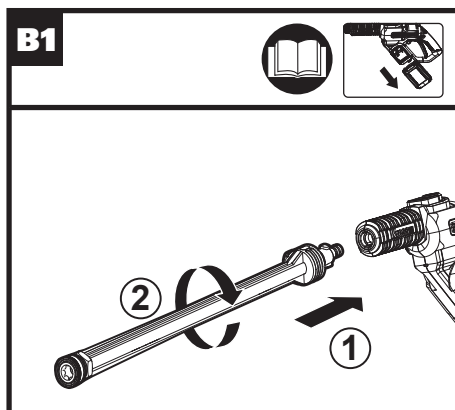
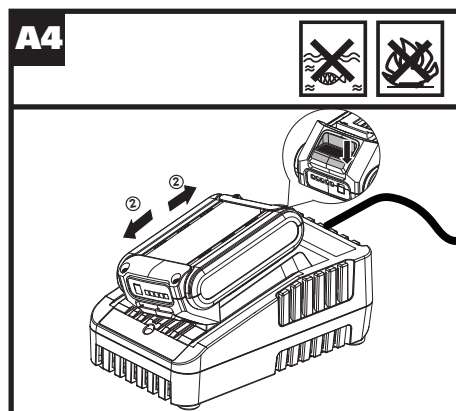
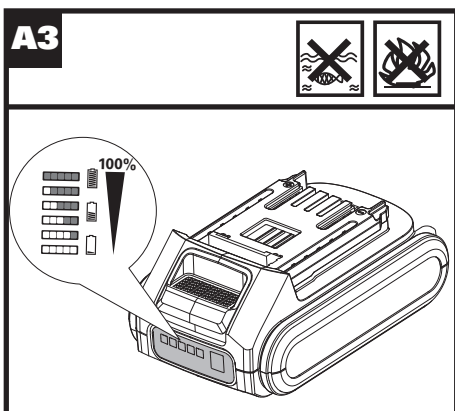
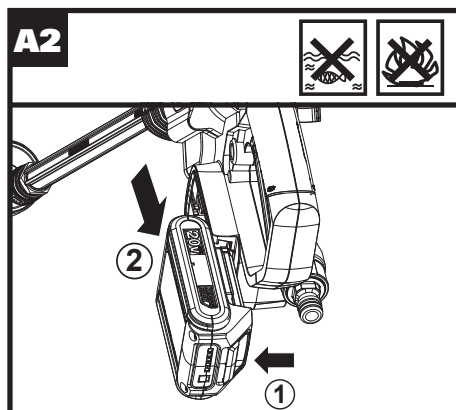
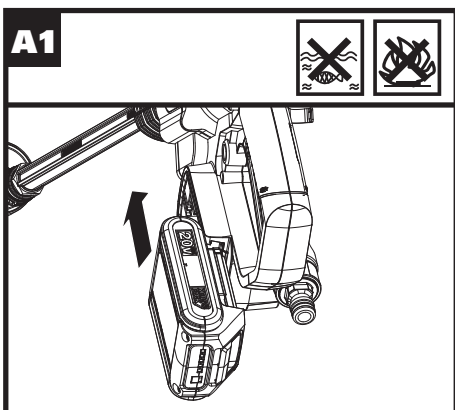


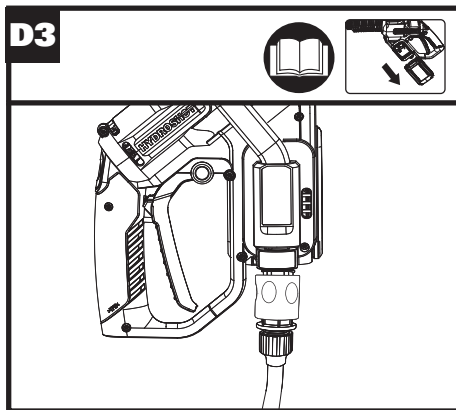
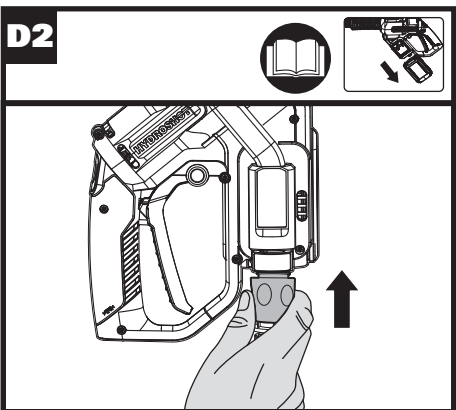
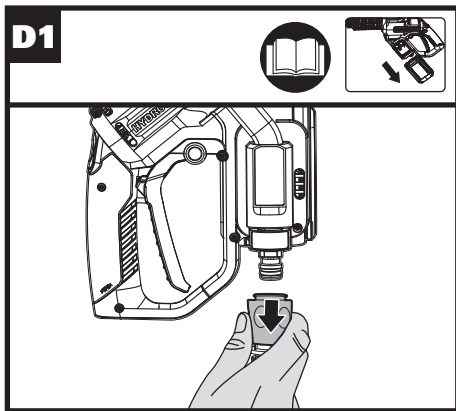
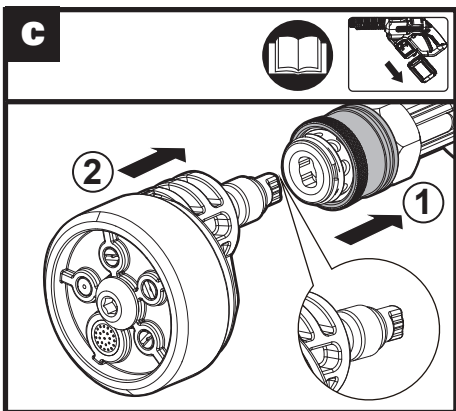
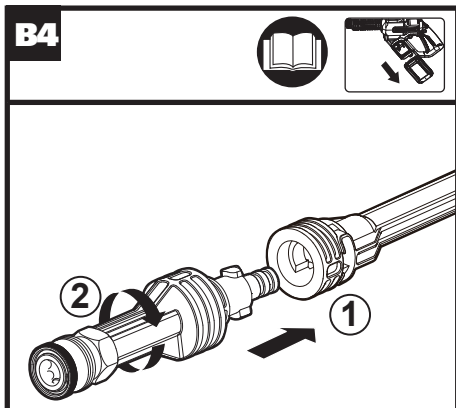
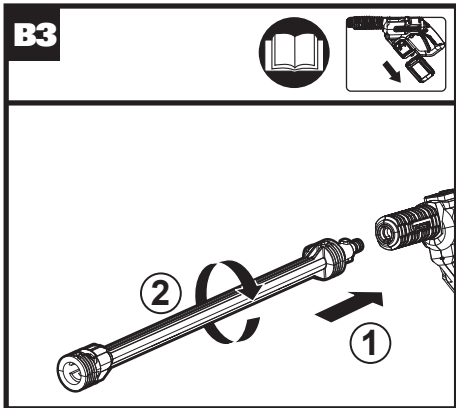
2 in 1: Portable Power Cleaner/Water Sprayer	EN	P09
2 in 1: Tragbarer Hochdruckreiniger/Wassersprüher	D	P17
2 en 1 : nettoyeur portable électrique / pulvérisateur d'eau	F	P26
Idropulitrice/Irroratrice portatile 2 in 1	I	P35
2 en 1: Limpiador/pulverizador de agua portátil a presión	ES	P44
2 in 1: Krachtige draagbare reiniger/waterverniveelaar	NL	P53
2 i 1: Bærbar Power Cleaner/Vandspuler	DK	P62
2 в 1: Мойка высокого давления / опрыскиватель	RU	P70
2 i 1: Portabel högtryckstvätt/Vattenspruta	SV	P79
<b>KG633E KG633E.X</b>		

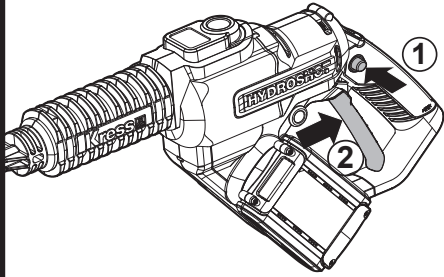
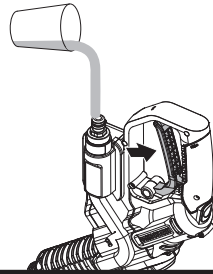
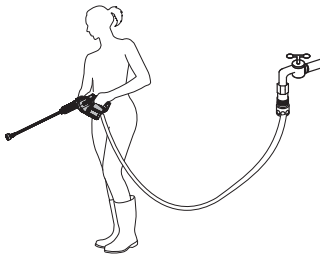
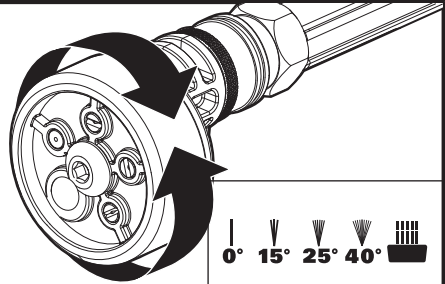
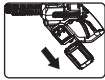
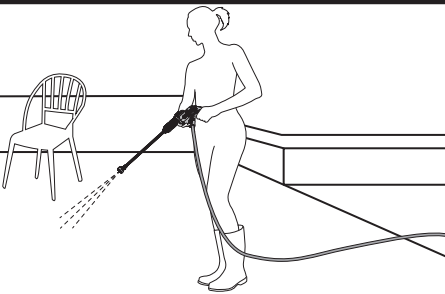
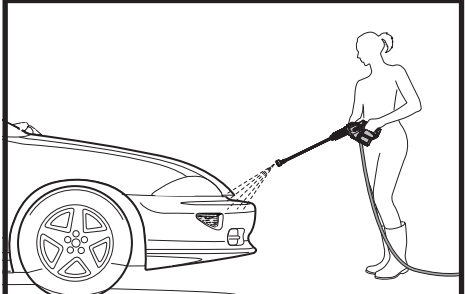


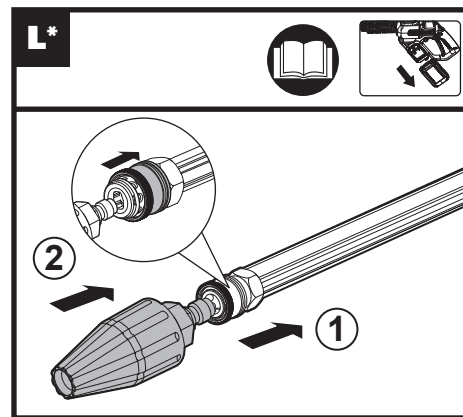
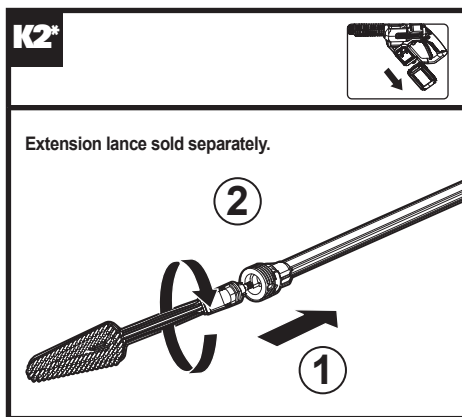
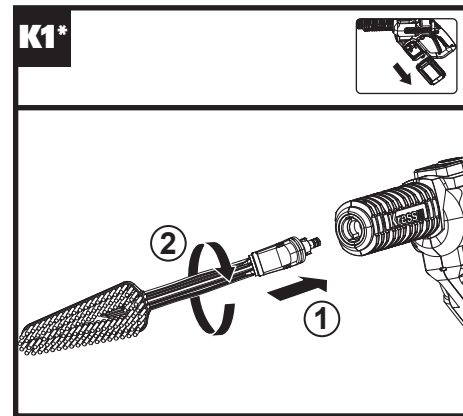
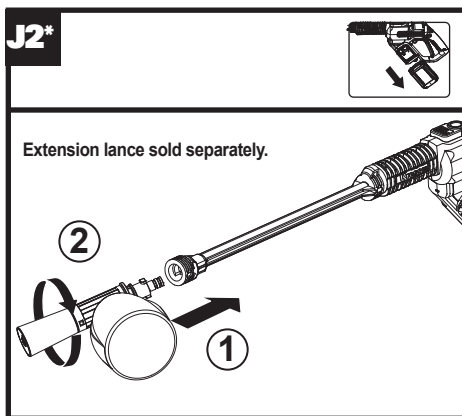
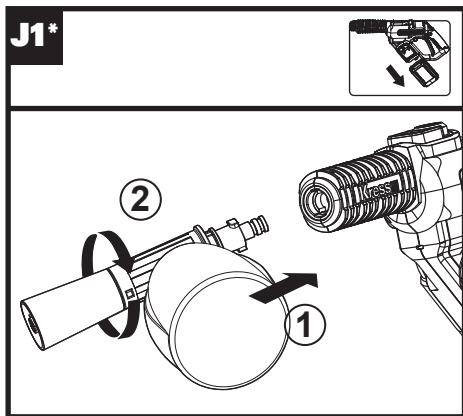
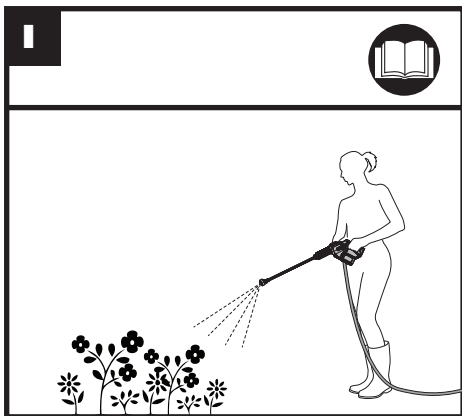
## Optional accessories

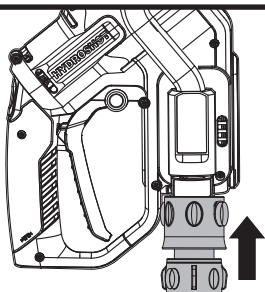
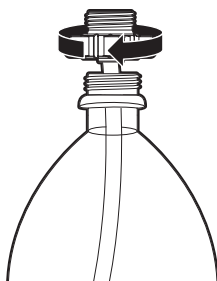
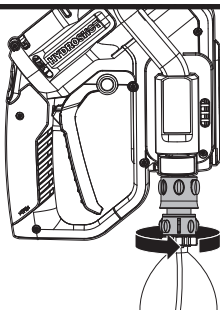
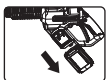
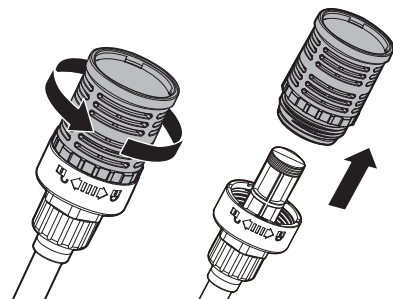
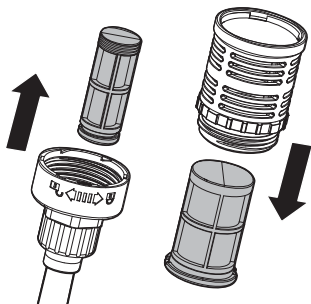
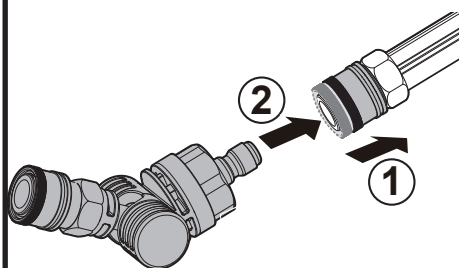


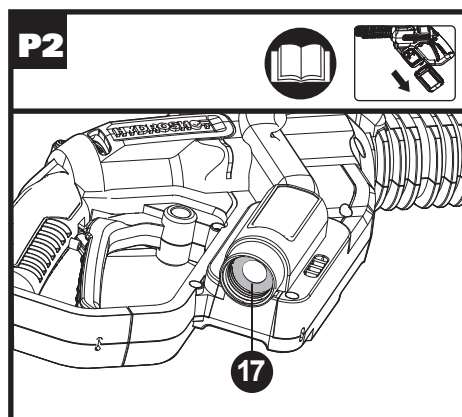
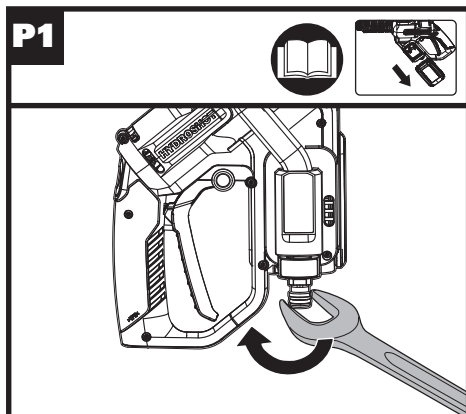
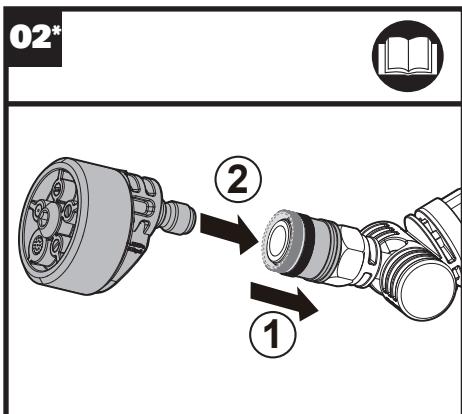




**E1****E2****E3****F****G****H**



**M1****M2****M3****N1****N2****01\***



# TABLE OF CONTENTS

Introduction.....	9
Safety Instructions.....	10
Component List.....	12
Specifications.....	12
Assembly&Operation.....	13
Maintenance.....	14
Environmental Protection.....	14
Troubleshooting.....	15
Declaration of Conformity.....	16

## INTRODUCTION

Dear Customer,

Thank you for buying this Kress product. We are dedicated to developing high quality products to meet your lawn & garden requirements.

The Kress brand is synonymous with premium quality service. Over the years of your products life, if you have any questions or concerns about your product, please contact your location of purchase or our Customer Service Team for assistance.

We are confident you will enjoy working with your Kress product for years to come.

## INTENDED USE

This tool is intended for cleaning and watering.

Users can view the electronic instructions at <https://www.kress.com/>.

## ORIGINAL INSTRUCTIONS PRODUCT SAFETY GENERAL SAFETY WARNINGS

 **WARNING** Read all safety warnings, instructions, illustrations and specifications provided with this power tool. *Failure to follow all instructions listed below may result in electric shock, fire and/or serious injury.*

### Save all warnings and instructions for future reference.

- This appliance can be used by persons with reduced physical, sensory or mental capabilities or lack of experience and knowledge if they have been given supervision or instruction concerning use of the appliance in a safe way and understand the hazards involved. Children shall not play with the appliance.
- The appliance is only to be used with the power supply unit provided with the appliance.

### Additional safety warnings

1. The liquid must not

be directed towards equipment containing electrical components.

2. Remove or disconnect the battery pack after use and before carrying out user maintenance on the appliance.
3. The appliance shall not be left unattended while it is connected to the battery pack.
4. The appliance is not to be used if it has been dropped, if there are visible signs of damage or if it is leaking.
5. Keep the appliance out of reach of children when it is energized.

### SAFETY WARNINGS FOR BATTERY PACK

- a) Do not dismantle, open or shred cells or battery pack.
- b) Do not short-circuit a battery pack. Do not store battery packs haphazardly in a box or drawer where they may short-circuit each other or be short-circuited by conductive materials. When battery pack is not in use, keep it away from other metal objects, like paper clips, coins, keys, nails, screws or other small metal objects, that can make a connection





from one terminal to another. Shorting the battery terminals together may cause burns or a fire.






- c) **Do not expose battery pack to heat or fire. Avoid storage in direct sunlight.**
- d) **Do not subject battery pack to mechanical shock.**
- e) **In the event of battery leaking, do not allow the liquid to come into contact with the skin or eyes. If contact has been made, wash the affected area with copious amounts of water and seek medical advice.**
- f) **Keep battery pack clean and dry.**
- g) **Wipe the battery pack terminals with a clean dry cloth if they become dirty.**
- h) **Battery pack needs to be charged before use. Always refer to this instruction and use the correct charging procedure.**
- i) **Do not maintain battery pack on charge when not in use.**
- j) **After extended periods of storage, it may be necessary to charge and discharge the battery pack several times to obtain maximum performance.**
- k) **Recharge only with the charger specified by**

**Kress. Do not use any charger other than that specifically provided for use with the equipment.**

- l) **Do not use any battery pack which is not designed for use with the equipment.**
- m) **Keep battery pack out of the reach of children.**
- n) **Retain the original product literature for future reference.**
- o) **Remove the battery from the equipment when not in use.**
- p) **Dispose of properly.**
- q) **Do not mix cells of different manufacture, capacity, size or type within a device.**
- r) **Keep the battery away from microwaves and high pressure.**

## SYMBOLS

	Warning
	Read operator's manual
	Batteries may enter water cycle if disposed improperly, which can be hazardous for ecosystem. Do not dispose of waste batteries as unsorted municipal waste.
	Do not burn

	Remove battery from the socket before carrying out any adjustment, servicing or maintenance.
	Unlock
	Lock
	Waste electrical products must not be disposed of with household waste. Please recycle where facilities exist. Check with your local authorities or retailer for recycling advice.
	Li-Ion battery This product has been marked with a symbol relating to 'separate collection' for all battery packs and battery pack. It will then be recycled or dismantled in order to reduce the impact on the environment. Battery packs can be hazardous for the environment and for human health since they contain hazardous substances.

## COMPONENT LIST


1.	LOCK-OFF SWITCH
2.	BATTERY PACK *
3.	ON/OFF SWITCH LEVER
4.	HOSE ADAPTER
5.	POWER NOZZLE
6.	PRESSURE CLEANING LANCE
7.	NOZZLE ADAPTER
8.	MULTI-SPRAY NOZZLE
9.	FIXING NAIL
10.	HOSE CONNECTOR
11.	HOSE FILTER
12.	HOSE CLIP
13.	HOSE
14.	FLOATER
15.	SOAP BOTTLE *
16.	BRUSH *
17.	FILTER SCREEN (SEE FIG. P2)

18.	TURBO NOZZLE *
19.	BOTTLE CAP CONNECTOR *
20.	EXTENSION LANCE *
21.	PIVOTING QUICK CONNECT ADAPTER *
22.	QUICK CONNECT ADAPTER *
23.	SHORT LANCE *

\* Not all the accessories illustrated or described are included in standard delivery.

## TECHNICAL DATA

Type Designation: **KG633E KG633E.X (6 - designation of machinery, representative of battery-powered washer)**

	KG633E KG633E.X **
Voltage	20 V  Max***
Max pressure	25 bar
Rated pressure	22 bar/15 bar
Max water flow rate	210 L/h
Max. inlet water pressure	6 bar
Suction height	Max 1.5m
Water temperature	Max 40°C
Machine weight (bare tool)	1.8 kg

\*\* X=1-999, A-Z, M1-M9 they are only used for different customers, there are no safe relevant changes between these models


\*\*\* Voltage measured without workload. Initial battery voltage reaches maximum of 20 volts. Nominal voltage is 18 volts.

## SUGGESTED BATTERIES AND CHARGERS

Category	Model	Capacity
20V Battery	KAB02	2.0Ah
20V Charger	KAC02	2.0A

We recommend that you purchase your accessories from the same store that sold you the tool. Refer to the accessory packaging for further details. Store personnel can assist you and offer advice.

## NOISE INFORMATION

A weighted sound pressure	$L_{pA}$ : 75.1dB(A)
A weighted sound power	$L_{WA}$ : 86.1dB(A)
$K_{pA}$	3.0dB(A)
Wear ear protection	

## VIBRATION INFORMATION

Typical weighted vibration	$a_{rh} = 0.841m/s^2$ $K = 1.5m/s^2$
----------------------------	---

The declared vibration total value may be used for comparing one tool with another, and may also be used in a preliminary assessment of exposure.

**WARNING:** The vibration emission value during actual use of the power tool can differ from the declared value depending on the ways in which the tool is used dependant on the following examples and other variations on how the tool is used: How the tool is used and the materials being cut or drilled.

The tool being in good condition and well maintained.

Using the correct accessory for the tool and ensuring it is sharp and in good condition.

The tightness of the grip on the handles and if any anti vibration accessories are used.

And the tool is being used as intended by its design and these instructions.

**This tool may cause hand-arm vibration syndrome if its use is not adequately managed.**

**WARNING:** To be accurate, an estimation of exposure level in the actual conditions of use should also take account of all parts of the operating cycle such as the times when the tool is switched off and when it is running idle but not actually doing the job. This may significantly reduce the exposure level over the total working period. Helping to minimise your vibration exposure risk. Maintain this tool in accordance with these instructions and keep well lubricated (where appropriate). If the tool is to be used regularly then invest in anti vibration accessories. Plan your work schedule to spread any high vibration tool use across a number of days.

## ASSEMBLY & OPERATION



**NOTE:** Before using the tool, read the instruction book carefully.

### BEFORE OPERATION

**Installing the battery pack (See Fig. A1)**

**Removing the battery pack (See Fig.A2)**

### Checking the battery condition(See Fig.A3)

**NOTE:** Fig. A3 only applies for the battery pack with battery indicator light.

### Charging the battery pack(See Fig. A4)

More details can be found in charger's manual

## ASSEMBLY

### Working mode 1 (See Fig. B1)

Attaching pressure cleaning lance to the power nozzle.

**NOTE:** The power nozzle has three working modes: pressure cleaning lance only, short lance only and short lance used together with extension lance.

### Working mode 2 (See Fig. B2)

Attaching short lance to the power nozzle

### Working mode 3 (See Fig. B3, B4)

Attaching extension lance to the power nozzle

Attaching short lance to the extension lance

### Attaching the Multi-spray nozzle (See Fig. C)

**NOTE:** When attaching, rotate the nozzle left and right to make sure the nozzle is fully seated into position and gently pull it to make sure it is locked into position securely.

### Attaching the hose to the power nozzle (See Fig. D1, D2 , D3)

**NOTE:** After the hose is attached, check the connection by gently pulling upon the hose. It should not be pulled off.


## OPERATION

**WARNING:** The supplied battery is not waterproof. To avoid risk of battery failure, protect the battery from water exposure during use. Store the tool and battery in a dry place after use.

### Start(See Fig. E1,E2,E3)

**NOTE:** At the first use or after long-term storage, it is recommended to attach the tap or inject water into the hose adapter with the machine turned on, so as to empty the air. Do not start working until the water goes up along the hose and sprays out.

### Selecting the nozzle pattern (See Fig.F)

**NOTE:** Choose a suitable nozzle pattern according to your work. Spray patterns 0°, 15°, 25° and 40° are applicable for cleaning, and the spray pattern with the symbol  is best suitable for watering.

**WARNING:** Do not shift the nozzle pattern when the tool is powered on.

## Cleaning(See Fig.G,H)

**WARNING:** Do not connect the machine to water supplies that are dirty, rusty, muddy, or corrosive. (Including window cleaning liquids, plant foods, or fertilizers etc.)

**NOTE:** If sea water is used, the product should be rinsed and used with fresh water after that in order to extend the life time of the machine.

## WATERING(See Fig.I)

## ATTACHMENT OF ACCESSORIES

A number of accessories have been supplied with this product and are required for use in different applications. **Do not attempt to use cleaning without a lance or any accessories attached.**

### 1. Soap bottle (KA2563, sold separately)

Soap bottle provides detergent suds for deeper cleaning of dirt. It is used in conjunction with power nozzle or extension lance. (See Fig. J1, J2)

**NOTE:** Keep the machine connected to water source when using soap bottle.

### 2. Brush (KA2510, sold separately)


Brush is for cleaning cars, boats, motorcycles etc. It is used in conjunction with power nozzle or extension lance. (See Fig. K1, K2)

### 3. Turbo nozzle (KA2527, sold separately)

The turbo nozzle delivers 360° of rotating water, which cleans a larger area than the 0° water pattern during the same time period. Recommend to use it with high pressure setting (See Fig. L)

### 4. Bottle cap connector (KA2588, sold separately)

The bottle cap connector accessory allows the tool to directly connect with most 2 Liter bottles with approximately 1" openings. (NOTE: May not fit all consumable soda and water bottles) (See Fig.M1, M2, M3)

 **WARNING:** Do not install the bottle cap connector accessory until it is ready to be used. The accessories vents will leak liquid, if a bottle is installed, with the machine lying on a surface.

### 5. Pivoting Quick Connect Adapter (KA2529, sold separately)

The Pivoting Quick Connect Adapter allows power cleaning tips to be fully adjusted up to 180° in any direction. Ideal for cleaning around hard-to-reach areas. Suitable for the HYDROSHOT™ power cleaner and multi-spray nozzle (See Fig. O1, O2)

## MAINTENANCE

**Remove the Battery Pack from the tool before carrying out any adjustment, servicing or maintenance.**

Inspect the product for damaged or worn parts before each use. Do not operate it if you find damaged or worn parts. Contact your supplier or the manufacturer for replacement parts.


### Hose filter maintenance

Remove the hose filter from the hose and get out the strainer. Rinse the parts with clean water before reassembling. (See Fig.N1, N2)

### Filter screen maintenance

Remove the hose adapter to get the filter screen. (See Fig. P1, P2) Rinse it with clean water before reassembling.


**NOTE:** When retightening the hose adapter, please tighten securely. Otherwise, it may not draw any water for proper operation.

 **WARNING:** Any other servicing should be performed by an authorized service representative.

## CLEANING/STORAGE

Before Storage, completely drain all the water from the machine and hose. Clean the moulded plastic housing of the machine using a soft brush and clean cloth. Do not use water, solvents or polishes. Store in a secure and dry place out of the reach of children. Do not place other objects on the product. Store the machine and the accessories in a frost free place.

## ENVIRONMENTAL PROTECTION

 Waste electrical products must not be disposed of with household waste. Please recycle where facilities exist. Check with your local authorities or retailer for recycling advice.

# TROUBLESHOOTING

Symptom	Possible causes	Solution
Machine turns on but it does not draw any water or there is not sufficient pressure.	Power nozzle is too high from the water source surface.	Lower the machine below 5ft/1.5m.
	Hose filter is blocked.	Take out the hose filter and rinse the parts with clean water. (See Fig. N1, N2)
	The users garden hose is not well connected to the machine.	Check and reattach the garden hose tightly.
	Hose adapter looses. The filter screen is missing. (See Fig. P1, P2)	Tighten the hose adapter securely with a spanner. Contact Kress service agent to get a filter screen.
	Pump, hose, or other parts are frozen due to outside temperatures.	Wait for the pump, hose or other parts to thaw.
	Hose kinks.	Straighten out the hose.
Multi-spray nozzle leaks.	The nozzle pattern does not spray correctly.	Make sure the nozzle pattern symbol aligns with the indicator mark on tool.
	Fixing nail of the multi-spray nozzle loosens.	Tighten it with a hex key.
Outlet pressure increases suddenly.	Multi-spray nozzle is blocked.	Replace with a new multi-spray nozzle.
Machine drains out water after stopping.	There is water remaining in the lance and pump after stopping.	Drain all the water completely before storage.
Soap accessory cannot spray out any detergent.	Blockage in the soap bottle.	Clean it with fresh water.
Machine does not start.	The battery pack is not attached well.	Reinstall the battery pack.
	Battery pack is empty.	Replace with a new battery pack or recharge the battery pack.
	Defective battery.	Replace with a new battery pack.
Machine pressure is not consistent.	Additional air could be sucked into the machine.	Check connection between the hose adapter and the hose.
	It is at low pressure setting.	No action need.
Machine stops automatically.	Battery pack is empty.	Replace with a new battery pack or recharge the battery pack.
	The multi-spray nozzle is blocked. The current protection is activated.	Remove the multi-spray nozzle and turn on the machine. If the machine works normally, replace with a new multi-spray nozzle.

# DECLARATION OF CONFORMITY

We,  
Positec Germany GmbH  
Postfach 32 02 16, 50796 Cologne, Germany

Declare that the product  
Description **Battery-operated washer**  
Type **KG633E KG633E.X (6 - designation of machinery, representative of battery-powered washer)**  
Function **Cleaning surfaces**

Complies with the following Directives:  
**2006/42/EC, 2014/30/EU**  
**2011/65/EU&(EU)2015/863**  
**2000/14/EC amended by 2005/88/EC**

2000/14/EC amended by 2005/88/EC:  
- Conformity Assessment Procedure as per **Annex V**  
- Measured Sound Power Level **86.1 dB**  
- Declared Guaranteed Sound Power Level **91.1dB**

Standards conform to  
**EN 60335-1, EN 60335-2-54, EN 62233, EN ISO 3744, EN IEC 55014-1, EN IEC 55014-2, EN IEC 63000**

16 The person authorized to compile the technical file,  
EN **Name: Marcel Filz**  
**Address: Positec Germany GmbH**  
**Postfach 32 02 16, 50796 Cologne, Germany**



2021/12/13  
Allen Ding  
Deputy Chief Engineer, Testing & Certification  
Positec Technology (China) Co., Ltd.  
18, Dongwang Road, Suzhou Industrial  
Park, Jiangsu 215123, P. R. China

# INHALTSVERZEICHNIS

Einführung.....	17
Sicherheitshinweise.....	18
Komponenten.....	20
Spezifikationen.....	21
Montage Und Bedienung.....	22
Wartung.....	23
Umweltschutz.....	23
Störungsbehebung.....	24
Konformitätserklärung.....	25

## EINFÜHRUNG

Sehr geehrter Kunde,

Vielen Dank, dass Sie dieses Kress-Produkt gekauft haben. Wir sind bestrebt, qualitativ hochwertige Produkte zu entwickeln, um Ihren Anforderungen im Bereich Rasen und Garten gerecht zu werden.

Die Marke Kress steht für erstklassigen Service. Wenn Sie im Laufe der Jahre Fragen oder Bedenken zu Ihrem Produkt haben, wenden Sie sich bitte an Ihren Einkaufsstandort oder an unseren Kundenservice.

Wir sind zuversichtlich, dass Sie in den kommenden Jahren die Arbeit mit Ihrem Kress-Produkt genießen werden.

## BESTIMMUNGSGEMÄSSER GEBRAUCH

Dieses Werkzeug ist für die Reinigung und Bewässerung konzipiert.

**Die elektronischen Anleitungen sind abrufbar unter <https://www.kress.com/>.**

## **ORIGINALBETRIEBSANLEITUNG PRODUKTSICHERHEIT ALLGEMEINE SICHERHEITSHINWEISE**

 **WARNUNG: Lesen Sie alle Sicherheitshinweise und Anweisungen.**

Versäumnisse bei der Einhaltung der Sicherheitshinweise und Anweisungen können elektrischen Schlag, Brand und/oder schwere Verletzungen verursachen.

**Bewahren Sie alle Sicherheitshinweise und Anweisungen für die Zukunft auf.**

- Das Gerät kann von Personen mit eingeschränkten körperlichen, sensorischen oder geistigen Fähigkeiten verwendet werden, oder von Personen mit fehlender Erfahrung und Wissen, wenn sie dabei überwacht werden oder Anweisungen hinsichtlich des sicheren Gebrauchs des Geräts erhalten und sie die damit verbundenen Risiken verstehen. Kinder

dürfen nicht mit dem Gerät spielen.

- Das Gerät darf nur mit dem mitgelieferten Netzteil verwendet werden.

### **Zusätzliche Sicherheitshinweise**

1. Halten Sie Flüssigkeiten von Geräten mit elektrischen Komponenten fern.
2. Entfernen oder schalten Sie den Akku nach dem Gebrauch ab und bevor Sie Wartungsarbeiten am Gerät ausführen.
3. Das Gerät darf nicht unbeaufsichtigt gelassen werden, während es an das Stromnetz angeschlossen ist.
4. Das Gerät darf nicht verwendet werden, wenn es fallen gelassen wurde, wenn es sichtbare Beschädigungen aufweist oder undicht ist;
5. Halten Sie das Gerät außerhalb der Reichweite von Kindern, wenn es an eine Stromzufuhr angeschlossen ist.

### **SICHERHEIT HINWEISE FÜR AKKUPACK**

- a) Zellen bzw. Akkupack nicht zerlegen, öffnen oder zerdrücken.
- b) Akkupack nicht

- kurzschließen. Akkupacks nicht wahllos in einer Schachtel oder Schublade aufbewahren, wo sie einander kurzschließen oder durch andere leitfähige Materialien kurzgeschlossen werden könnten.** Bei Nichtverwendung des Akkupacks ist dieses von Metallgegenständen fernzuhalten, wie etwa Büroklammern, Münzen, Nägeln, Schrauben oder anderen kleinen Metallgegenständen, wo sich die Batterieklemmen berühren könnten. Das Kurzschließen der Batterieklemmen kann Verbrennungen bzw. einen Brand verursachen.
- c) Zellen bzw. Akkupacks nicht Hitze oder Feuer aussetzen. Lagerung in direktem Sonnenlicht vermeiden.**
- d) Akkupack nicht mechanischen Stößen aussetzen.**
- e) Im Fall, dass Flüssigkeit aus dem Akku austritt, darf diese nicht in Kontakt mit der Haut oder den Augen kommen. Sollte dies dennoch geschehen, den betroffenen Bereich sofort mit viel Wasser spülen und einen Arzt aufsuchen.**
- f) Akkupack sauber und trocken halten.**
- g) Sollten die Klemmen des Akkupacks schmutzig werden, diese mit einem sauberen, trockenen Tuch abwischen.**
- h) Akkupack muss vor Gebrauch aufgeladen werden. Immer diese Anweisungen beachten und den korrekten Ladevorgang ausführen.**
- i) Akkupack bei Nichtverwendung nicht längere Zeit aufladen lassen.**
- j) Nach längerer Lagerung des Gerätes ist es eventuell notwendig, die Zellen oder das Akkupack mehrere Male aufzuladen und zu entladen, um eine optimale Leistung zu erhalten.**
- k) Nur mit dem von Kress bezeichneten Ladegerät aufladen. Kein Ladegerät verwenden, das nicht ausdrücklich für den Gebrauch mit dem Gerät vorgesehen ist.**
- l) Kein Akkupack verwenden, das nicht für den Gebrauch mit dem Gerät vorgesehen ist.**
- m) Akkupacks von Kindern**

fernhalten.






n) Die originalen Produktunterlagen zum späteren Nachschlagen aufbewahren.

o) Den Akku bei Nichtverwendung aus dem Gerät nehmen.






p) Ordnungsgemäß entsorgen.

q) Vermischen Sie keine Zellen verschiedener Hersteller, Kapazitäten, Größen oder Typen innerhalb eines Geräts.

r) Halten Sie den Akku von Mikrowellen und hohem Druck fern.

	Verriegeln
	Entriegeln
	Elektroprodukte dürfen nicht mit dem normalen Haushaltsmüll entsorgt werden, sondern sollten nach Möglichkeit zu einer Recyclingstelle gebracht werden. Ihre zuständigen Behörden oder Ihr Fachhändler geben Ihnen hierzu gerne Auskunft.
 Li-Ion 	Lithium-Ionen-Akku: Dieses Produkt wurde mit einem Symbol markiert, das sich auf die 'gesonderte Sammlung' aller Akkupacks und Akkus bezieht. Es wird anschließend recycelt oder demontiert, um die Beeinträchtigung der Umwelt zu verringern. Akkupacks können die Umwelt und menschliche Gesundheit beeinträchtigen, da diese schädliche Substanzen enthalten.

## SYMBOLE

	Warnung
	Bedienungsanleitung lesen
	Batterien können bei falscher Entsorgung in der Wasserkreislauf gelangen und das Ökosystem bedrohen. Entsorgen Sie alte Batterien nicht im unsortierten Haushaltsabfall.
	Nicht verbrennen
	Entfernen Sie den Akku aus der Halterung, bevor Sie Einstellungen, Service- oder Wartungsarbeiten durchführen.

## KOMPONENTEN

1.	<b>VERRIEGELUNGSSCHALTER</b>
2.	<b>AKKUPACK *</b>
3.	<b>SCHALTERHEBEL EIN/AUS</b>
4.	<b>SCHLAUCHADAPTER</b>
5.	<b>HOCHDRUCKDÜSE</b>
6.	<b>HOCHDRUCKREINIGUNGSLANZE</b>
7.	<b>DÜSENADAPTER</b>
8.	<b>MULTI-SPRÜHDÜSE</b>
9.	<b>ARRETIERUNG</b>
10.	<b>SCHLAUCHANSCHLUSS</b>
11.	<b>SCHLAUCHFILTER</b>
12.	<b>SCHLAUCHCLIP</b>
13.	<b>SCHLAUCH</b>
14.	<b>TREIBER</b>

15.	SEIFENFLASCHE *
16.	BÜRSTE *
17.	FILTERSIEB (SIEHE ABB. P2)
18.	TURBO-DÜSE *
19.	FLASCHENKAPPEN-ANSCHLUSSSTÜCK *
20.	VERLÄNGERUNG DER SPRÜHLANZE *
21.	DREHBARER SCHNELLANSCHLUSS *
22.	SCHNELLKUPPLUNG *
23.	KURZE SPRÜHLANZE*

\* Abgebildetes oder beschriebenes Zubehör gehört teilweise nicht zum Lieferumfang.

## TECHNISCHE DATEN

Typ: KG633E KG633E.X(6 - Bezeichnung der Maschine, Vertreter des batteriebetriebenen Reinigers)

	KG633E KG633E.X**
Nennspannung	20 V  Max***
Druck	25 bar
Nennndruck	22 bar/15 bar
Maximale Wasserdurchlaufrate	210 L/h
Max. Eintrittsdruck des Wassers	6 bar
Saughöhe	Max 1.5m
Wassertemperatur	Max 40°C
Gewicht (Ohne Akku)	1.8kg

\*\* X=1-99, A-Z, M1-M9 werden nur für verschiedene Kunden verwendet, es gibt keine sicherheitsrelevanten Veränderungen zwischen diesen Modellen.

\*\*\*Spannung ohne Arbeitslast gemessen.

Anfangsakkuspannung erreicht maximal 20 Volt. Nennspannung ist 18 Volt.

## EMPFOHLENE BATTERIEN UND LADEGERÄTE

Kategorie	Typ	Kapazität
20V Akkupack	KAB02	2.0Ah
20V Lader	KAC02	2.0A

Wir empfehlen, dass Sie Ihr Zubehör in dem Geschäft kaufen, in dem Sie das Werkzeug

verkaufen. Weitere Einzelheiten entnehmen Sie bitte in der Zubehörverpackung. Das Ladenpersonal kann Ihnen behilflich sein und Ratschläge anbieten.

## INFORMATIONEN ÜBER LÄRM

Gewichteter Schalldruck  $L_{pA}$ : 75.1 dB(A)

Gewichtete Schalleistung  $L_{wA}$ : 86.1 dB(A)

$K_{pA}$  3.0dB(A)

Tragen Sie einen Gehörschutz



## INFORMATIONEN ÜBER VIBRATIONEN

Typischer gewichteter Vibrationswert  $a_w = 0.841 \text{ m/s}^2$   
 $K = 1.5 \text{ m/s}^2$

Der Schwingungsgesamtwert kann zum Vergleichen eines Werkzeugs mit einem anderen verwendet werden, ebenso für eine vorläufige Beurteilung von Belastungen.

**WARNUNG:** Der Vibrationsemissionswert während des tatsächlichen Gebrauchs des Elektrowerkzeugs kann vom angegebenen Wert abweichen, je nachdem, wie das Werkzeug gemäß folgender Beispiele und anderweitiger Verwendungsmöglichkeiten eingesetzt wird: Die Verwendung des Werkzeugs und die Art, wie die Materialien geschnitten oder angebohrt werden. Das Werkzeug ist in gutem Zustand und gut gepflegt.

Verwendung des richtigen Zubehörs für das Werkzeug und Gewährleistung seiner Schärfe und seines guten Zustands.

Die Festigkeit der Handgriffe und ob Antivibrationszubehör verwendet wird.

Und ob das verwendete Werkzeug dem Design und diesen Anweisungen entsprechend verwendet wird.

**Wird dieses Werkzeug nicht angemessen gehandhabt, kann es ein Hand-Arm-Vibrationssyndrom erzeugen.**

**WARNUNG:** Um genau zu sein, sollte eine Abschätzung des Belastungsgrades aller Arbeitsabschnitte während tatsächlicher Verwendung berücksichtigt werden, z.B. die Zeiten, wenn das Werkzeug ausgeschaltet ist, und wenn es sich im Leerlauf befindet und eigentlich nicht eingesetzt wird. Auf diese Weise kann der Belastungsgrad während der gesamten Arbeitszeit wesentlich gemindert werden.

Minimieren Sie Ihr Risiko, dem Sie bei Vibrationen ausgesetzt sind.

Verwenden Sie IMMER scharfe Meißel, Bohrer und Sägeblätter. Pflegen Sie dieses Werkzeug diesen

Anweisungen entsprechend und achten Sie auf eine gute Einfettung (wo erforderlich).  
Bei regelmäßiger Verwendung dieses Werkzeugs sollten Sie in Antivibrationszubehör investieren.  
Machen Sie einen Arbeitsplan, um die Verwendung von hochvibrierenden Werkzeugen auf mehrere Tage zu verteilen.

## MONTAGE UND BEDIENUNG



**HINWEIS:** Lesen Sie das Handbuch vor Inbetriebnahme des Werkzeuges sorgfältig durch

### VOR INBETRIEBNAHME

**Einsetzen des Akkupacks (Siehe Abb.A1)**

**Einsetzen des Akkupacks (Siehe Abb.A2)**

**Prüfen des Akkuladestands (Siehe Abb.A3)**

**HINWEIS:** Abb. A3 gilt nur für das Akkupack mit Akkustandanzeige.

**Laden Sie den Akku auf (Siehe Abb.A4)**

Weitere Details finden Sie im Handbuch des Ladegeräts.

### MONTAGE:

**Funktionsmodus 1 (Siehe Abb.B1)**

Montieren Sie die Hochdruckreinigungslanze an der Hochdruckdüse.

**HINWEIS:** Die Hochdruckdüse verfügt über drei Betriebsarten: nur Hochdruckreinigungslanze, nur kurze Reinigungslanze und kurze Reinigungslanze in Verbindung mit Verlängerungsreinigungslanze.

**Funktionsmodus 2 (Siehe Abb.B2)**

Anbringen der kurzen Sprühdüse an die Sprühdüse.

**Funktionsmodus 3 (Siehe Abb.B3, B4)**

Anbringen der Verlängerung der Sprühdüse an der Hochdruckdüse  
Anbringen der kurzen Sprühdüse an der Verlängerung der Sprühdüse.

**Anbringen der Multi-Sprühdüse (Siehe Abb.C)**

**HINWEIS:** Während des Anbringens, drehen Sie die Düse nach links und rechts, um dafür zu sorgen, dass die Düse gänzlich in Position ist und ziehen Sie leicht daran, um sicherzustellen, dass diese sicher eingerastet ist.

**Anbringen des Schlauchs an der Hochdruckdüse (Siehe Abb.D1, D2, D3)**

**HINWEIS:** Nachdem der Schlauch angebracht wurde, prüfen Sie die Verbindung, indem Sie sanft am Schlauch ziehen. Dieser sollte sich nicht ablösen.

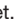
### BETRIEB:

**! WARNUNG: Der mitgelieferte Akku ist nicht wasserfest. Um die Gefahr eines Akkuausfalls zu vermeiden, schützen Sie den Akku bei der Nutzung vor Wasser. Lagern Sie das Werkzeug und den Akku nach dem Gebrauch an einem trockenen Ort.**

**Starten(Siehe Abb.E1,E2,E3)**

**HINWEIS:** Bei der ersten Verwendung oder nach längerer Lagerung wird empfohlen, den Wasserhahn anzuschließen oder bei eingeschalteter Maschine Wasser in den Schlauchadapter zu spritzen, damit der Schlauch entlüftet wird. Beginnen Sie erst mit der Arbeit, wenn das Wasser im Schlauch fließt und heraus spritzt.

**Auswählen der Düsenfunktion (Siehe Abb.F)**

**HINWEIS:** Wählen Sie eine angemessene Düsenfunktion aus, Ihrer Arbeit entsprechend. Sprühmuster 0°, 15°, 25° und 40° sind verfügbar für die Reinigung und das Sprühmuster mit dem Symbol  ist am besten für die Bewässerung geeignet.

**! WARNUNG:** Ändern Sie nicht die Düseneinstellung, während das Gerät in Betrieb ist.

**Reinigung(Siehe Abb.G,H)**

**! WARNUNG: Schließen Sie die Maschine nicht an Wasserversorgungen an, die schmutzig, rostig, schlammig oder korrosiv sind (einschließlich Fensterreinigern, Pflanzennahrung oder Düngemittel, usw.).**

**HINWEIS:** Wenn Seewasser verwendet wird, muss das Produkt gespült und anschließend mit Frischwasser verwendet werden, um die Lebensdauer der Maschine zu verlängern.

**Bewässerung(Siehe Abb.I)**

## ANBRINGEN DER ACCESSOIRES

Eine Anzahl Accessoires werden mit dem Produkt zusammen geliefert und werden benötigt für den Gebrauch im Rahmen unterschiedlicher Anwendungen. **Versuchen Sie nicht, die Reinigung ohne eine Sprühdüse oder Accessoires vorzunehmen.**

**1. Seifenflasche (KA2563, separat erhältlich)**  
Sie Seifenflasche liefert Seifenlauge zur Tiefenreinigung von Verschmutzungen. Diese kann

zusammen mit der Hochdruckdüse. (Siehe Abb. J1, J2)

**HINWEIS:** Lassen Sie beim Verwenden der Seifenflasche das Gerät an der Wasserquelle anschließen.

#### **2. Bürste (KA2510, separat erhältlich)**


Die Bürste dient der Reinigung von Autos, Booten, Motorrädern usw. Diese wird zusammen mit der Hochdruckdüse. (Siehe Abb. K1, K2)

#### **3. Turbo-Düse (KA2527, separat erhältlich)**

Die Turbo-Düse liefert 360° rundum verteiltes Wasser, das einen größeren Bereich als das 0° Wassermuster im gleichen Zeitraum reinigt. Empfehlenswerter Einsatz bei hoher Druckeinstellung. (Siehe Abb. L)

#### **4. Flaschenkappen-Anschlussstück (KA2588, separat erhältlich)**

Durch das Flaschenkappen-Anschlussstück kann das Werkzeug direkt mit den meisten 2 Liter-Flaschen mit einer Öffnung von ungefähr 1 Zoll verbunden werden. (HINWEIS: Passt möglicherweise nicht auf alle Soda- und Wasserflaschen) (Siehe Abb. M1, M2, M3)

 **WARNUNG:** Montieren Sie das Flaschenkappen-Anschlussstück nicht, bevor es einsatzbereit ist. Durch die Lüftungsöffnungen des Zubehörs wird bei eingelegter Flasche Flüssigkeit austreten, wenn die Maschine auf einer Fläche liegt.

#### **5. Drehbarer Schnellanschluss (KA2529, separat erhältlich)**

Der drehbare Schnellanschluss ermöglicht die vollständige Einstellung der Reinigungsspitzen um bis zu 180° in jede Richtung. Das ist ideal für die Reinigung schwer zugänglicher Stellen. Geeignet für HYDROSHOT™ Hochdruckreiniger mit Multi-Sprühdüse. (Siehe Abb. O1, O2)

## WARTUNG

**Entfernen Sie das Akkupack aus dem Werkzeug, bevor Sie Einstellungen, Service- oder Wartungsarbeiten daran durchführen.**

Prüfen Sie das Produkt vor jedem Gebrauch im Hinblick auf beschädigte oder abgenutzte Elemente. Nehmen Sie es nicht in Betrieb, wenn Sie beschädigte oder abgenutzte Elemente finden. Nehmen Sie Kontakt zu Ihrem Händler oder zum Hersteller auf, hinsichtlich von Ersatzteilen.

#### **Wartung des Schlauchfilters**

Entfernen Sie den Schlauchfilter vom Schlauch und nehmen Sie das Sieb heraus. Spülen Sie die Elemente mit sauberem Wasser ab, bevor Sie alles erneut zusammensetzen. (Siehe Abb. P1, P2)

#### **Filter-Bildschirmwartung**

Entfernen Sie den Schlauchadapter, um den Filter zu erhalten. (Siehe Abb. V1, V2) Vor dem Zusammenbau mit Wasser spülen.

**HINWEIS:** Ziehen Sie den Schlauchadapter fest, wenn Sie ihn festziehen. Andernfalls können Sie möglicherweise kein Wasser für den normalen Betrieb entnehmen.


 **WARNUNG:** Alle anderen Dienstleistungen sollten von einem autorisierten Servicevertreter

## ausgeführt werden. **REINIGUNG/ AUFBEWAHRUNG**

Vor dem Lagern, das Wasser gänzlich aus Maschine und Schlauch ablaufen lassen.

Reinigen Sie das Plastikgehäuse der Maschine mithilfe einer weichen Bürste und eines sauberen Tuchs. Verwenden Sie kein Wasser, Reinigungsmittel oder Polituren. Lagern Sie das Gerät immer an einem trockenen Platz, und außer Reichweite von Kindern. Keine anderen Gegenstände auf die Maschine stellen. Lagern Sie die Maschine sowie die Accessoires an einem frostfreien Ort.

## UMWELTSCHUTZ

 Elektroprodukte dürfen nicht mit dem normalen Haushaltsmüll entsorgt werden, sondern sollten nach Möglichkeit zu einer Recyclingstelle gebracht werden. Ihre zuständigen Behörden oder Ihr Fachhändler geben Ihnen hierzu gerne Auskunft.

# STÖRUNGSBEHEBUNG

Problem	Mögliche Ursachen	Abhilfemaßnahme
Die Maschine schaltet ein, saugt aber kein Wasser an oder der Druck ist unzureichend.	Die Leistungsdüse ist zu hoch über der Oberfläche der Wasserquelle positioniert.	Senken Sie die Maschine auf weniger als 1,5 m ab.
	Der Schlauchfilter ist verstopft.	Nehmen Sie den Schlauchfilter heraus, und spülen Sie die Teile mit sauberem Wasser aus. (Siehe Abb.N1, N2)
	Der Gartenschlauch des Anwenders ist nicht ordnungsgemäß an die Maschine angeschlossen.	Prüfen Sie den Gartenschlauch, und bringen Sie diesen wieder fest an.
	Schlauchadapter ist lose.	Ziehen Sie den Schlauchadapter mit einem Schraubenschlüssel fest an.
	Das Filtersieb fehlt. (Siehe Abb. P1, P2)	Wenden Sie sich an den Kress Servicevertreter, um ein Filtersieb zu erhalten.
	Pumpe, Schlauch oder andere Teile sind durch die Außentemperaturen gefroren.	Warten Sie, bis Pumpe, Schlauch oder andere Teile aufgetaut sind.
Mehrzweck-Spritzdüse ist undicht.	Der Schlauch ist geknickt.	Begradigen Sie den Schlauch.
	Das Düsenmuster wird nicht korrekt gespritzt.	Stellen Sie sicher, dass das Symbol des Düsenmusters mit der Anzeigemarkierung auf dem Werkzeug ausgerichtet ist.
Ausgangsdruck steigt plötzlich an.	Die Arretierung der Mehrzweck-Düse ist locker.	Ziehen Sie diese mit einem Innensechskantschlüssel fest.
	Mehrzweck-Spritzdüse ist verstopft.	Ersetzen Sie diese durch eine neue Mehrzweck-Spritzdüse.
Die Maschine lässt nach dem Ausschalten das Wasser ab.	Nach dem Ausschalten ist noch restliches Wasser in der Lanze und Pumpe vorhanden.	Lassen Sie das Wasser vor der Lagerung vollständig ab.
Das Seifen-Zubehör kann kein Reinigungsmittel sprühen.	Verstopfung in der Seifenflasche.	Reinigen Sie diese mit Frischwasser.
Die Maschine startet nicht.	Das Akkupack ist nicht korrekt eingelegt.	Legen Sie das Akkupack noch einmal neu ein.
	Das Akkupack ist leer.	Ersetzen Sie es durch ein neues Akkupack oder laden Sie das Akkupack auf.
	Akku defekt.	Akku austauschen.
Der Maschinendruck ist nicht konstant.	Die Maschine kann möglicherweise zusätzliche Luft ansaugen.	Prüfen Sie die Verbindung zwischen Schlauchadapter und Schlauch.
	Es wurde eine niedrige Druckeinstellung gewählt.	Keine Maßnahme notwendig.
Die Maschine stoppt automatisch.	Das Akkupack ist leer.	Ersetzen Sie dieses durch ein neues Akkupack oder laden Sie es auf.
	Die Mehrzweck-Spritzdüse ist verstopft. Der Stromschutz ist aktiviert.	Entfernen Sie die Mehrzweck-Spritzdüse, und schalten Sie die Maschine ein. Wenn die Maschine normal funktioniert, tauschen Sie die Mehrzweck-Spritzdüse gegen eine neue aus.

# KONFORMITÄTSERKLÄRUNG

Wir,  
Positec Germany GmbH  
Postfach 32 02 16, 50796 Cologne, Germany

erklären hiermit, dass unser Produkt  
Beschreibung **Batteriebetriebener Reiniger**  
Typ **KG633 KG633E.X(6 - Bezeichnung der**  
**Maschine, Vertreter des batteriebetriebenen**  
**Reinigers)**  
Funktion **Reinigung und Bewässerung**

den Bestimmungen der folgenden Richtlinien  
entspricht:

**2006/42/EC**

**2014/30/EU**

**2011/65/EU&(EU)2015/863**

**2000/14/EC geändert durch 2005/88/EC**

2000/14/EC geändert durch 2005/88/EC:

- Konformitätsbewertungsverfahren nach **Anhang V**
- Gemessene Schalleistung **86.1dB**
- Garantierte Schalleistung **91.1dB**

Verwendete Normen

**EN 60335-1, EN 60335-2-54, EN 62233, EN ISO**  
**3744, EN IEC 55014-1, EN IEC 55014-2, EN IEC**  
**63000**

Zur Kompilierung der technischen Datei ermächtigte  
Person,

**Name: Marcel Filz**

**Anschrift: Positec Germany GmbH**  
**Postfach 32 02 16, 50796 Cologne, Germany**



2021/12/13

Allen Ding

Stellvertretender Chefsingenieur, Prüfung und  
Zertifizierung

Positec Technology (China) Co., Ltd.

18, Dongwang Road, Suzhou Industrial Park,  
Jiangsu 215123, P. R. China

# SOMMAIRE

Introduction.....	26
Avertissements de sécurité.....	27
Liste des composants.....	29
Caractéristiques.....	30
Assemblage Et Fonctionnement.....	30
Entretien.....	32
Protection De L'environnement.....	32
Guide de dépannage.....	33
Declaration De Conformite.....	34

---

## INTRODUCTION

26

F Cher Client,

Merci d'avoir acheté ce produit de la marque Kress. Nous nous efforçons de mettre au point des produits de haute qualité, adaptés à votre jardin et à votre pelouse.

La marque Kress est synonyme de service de qualité supérieure. Tout au long du cycle de vie de votre produit, si vous avez des questions ou des inquiétudes à son sujet, veuillez contacter le lieu où vous l'avez acheté ou notre équipe de service clientèle pour vous aider.


Nous espérons que vous serez satisfait de votre produit de la marque Kress pour les années à venir.

## UTILISATION CONFORME

Cet outil est destiné au nettoyage et à l'arrosage.

**Les utilisateurs peuvent consulter les instructions électroniques à l'adresse <https://www.kress.com/>.**

## **NOTICE ORIGINALE SÉCURITÉ DU PRODUIT AVERTISSEMENTS DE SÉCURITÉ GÉNÉRAUX**

 **AVERTISSEMENT: Lire tous les avertissements de sécurité et toutes les instructions.** Ne pas suivre les avertissements et instructions peut donner lieu à un choc électrique, un incendie et/ou une blessure sérieuse.

**Conserver tous les avertissements et toutes les instructions pour pouvoir s'y reporter ultérieurement.**

- Cet appareil peut être utilisé par des personnes ayant un handicap physique, sensoriel ou mental, ou manquant d'expérience et n'ayant pas les connaissances nécessaires, à condition d'être surveillées ou d'avoir reçu les instructions concernant une utilisation sûre de l'appareil et d'avoir compris les risques encourus. Ne laissez pas les enfants jouer avec l'appareil.
- L'appareil ne doit être utilisé qu'avec l'unité

d'alimentation fournie avec l'appareil.

## **Règles de sécurité supplémentaire**

1. Le liquide ne doivent en aucun cas être dirigés vers du matériel contenant des composants électriques.
2. Retirez ou débranchez la batterie après utilisation et avant d'effectuer l'entretien de l'utilisateur sur l'appareil.
3. L'appareil ne doit pas être laissé sans surveillance tant qu'il est branché au secteur.
4. L'appareil ne doit pas être utilisé s'il a chuté, s'il présente des signes visibles de dommages ou s'il fuit.
5. Gardez l'appareil hors de portée des enfants lorsqu'il est sous tension.

## **MISES EN GARDE CONCERNANT LA BATTERIE**

- a) **La batterie et les piles secondaires ne doivent pas être ouvertes, démontées ou broyées.**
- b) **La batterie ne doit pas être court-circuitée. Évitez de mettre la batterie en vrac dans une boîte ou dans un tiroir où elles risqueraient de se court-**

**circuiter entre elles ou au contact d'autres objets métalliques.** Après usage, évitez tout contact de la batterie avec d'autres objets métalliques de petite taille (trombones, pièces, clés, clous, vis etc.) susceptibles de court-circuiter les pôles. Un court-circuit entre les pôles de la batterie peut être à l'origine de brûlures ou d'un incendie.

**c) La batterie ne doit pas être exposée au feu et à la chaleur. Évitez de la ranger à la lumière du soleil.**

**d) La batterie et les piles ne doivent pas être soumises à des chocs mécaniques.**

**e) En cas de fuite des piles, évitez tout contact du liquide avec la peau et les yeux. En cas de contact, rincez abondamment la surface touchée avec de l'eau et appelez les urgences.**

**f) La batterie et les piles doivent rester propres et sèches.**

**g) Si la batterie ou les piles se salissent, essuyez-les avec un chiffon propre et sec.**

**h) La batterie et les piles doivent être chargées avant usage. Utilisez**

**toujours le chargeur adéquat, et respectez les instructions du fabricant ou le mode d'emploi de l'appareil concernant la procédure de recharge.**

**i) Évitez de laisser une batterie se charger pendant trop longtemps lorsqu'elle n'est pas utilisée.**

**j) Après de longues périodes d'inutilisation, il peut être nécessaire de charger et décharger la batterie et les piles à plusieurs reprises avant que celles-ci ne retrouvent leur capacité maximale.**

**k) N'utilisez pas d'autre chargeur que celui spécifié par Kress. N'utilisez pas d'autre chargeur que celui spécifiquement fourni avec l'appareil.**

**l) N'utilisez en aucun cas une batterie autre que celle prévue pour cet appareil.**

**m) La batterie doit être tenue hors de portée des enfants.**

**n) Gardez la documentation d'origine du produit afin de pouvoir vous y référer ultérieurement.**

**o) Enlevez la batterie de l'appareil lorsque vous ne**








**l'utilisez pas.**




**p) Respectez les procédures de mise au rebut.**

**q) Ne pas mélanger des piles de fabrication, capacité, taille ou type différents dans un appareil.**

**r) Protégez la batterie des micro-ondes et des hautes pressions.**

## SYMBOLES

	Avertissement
	Lire le mode d'emploi
	Les batteries peuvent entrer dans le cycle de l'eau si elles sont éliminées de façon inappropriée, ce qui peut être dangereux pour l'écosystème. Ne pas éliminer les batteries usagées comme un déchet municipal non trié.
	Ne pas brûler
	Retirez la batterie de la prise avant de procéder à tout ajustement, révision ou maintenance.
	Verrouiller
	Déverrouiller

	Les déchets d'équipements électriques et électroniques ne doivent pas être déposés avec les ordures ménagères. Ils doivent être collectés pour être recyclés dans des centres spécialisés. Consultez les autorités locales ou votre revendeur pour obtenir des renseignements sur l'organisation de la collecte.
 Li-Ion 	Batterie Li-Ion Ce produit comporte un symbole de « Collecte séparée » de toutes les batteries. Il sera ensuite recyclé ou démantelé, afin de réduire l'impact sur l'environnement. Les batteries peuvent être dangereuses pour l'environnement et la santé humaine, car elles contiennent des substances dangereuses.

## LISTE DES COMPOSANTS


1.	BOUTON DE DÉVERROUILLAGE
2.	PACK BATTERIE *
3.	LEVIER DE COMMUTATION MARCHÉ/ ARRÊT
4.	ADAPTATEUR POUR FLEXIBLES
5.	INJECTEUR PRINCIPAL
6.	LANCE DE PULVÉRISATION
7.	ADAPTATEUR POUR BUSES
8.	BUSE DE PULVÉRISATION À JETS MULTIPLES
9.	CLOU DE FIXATION
10.	RACCORD POUR FLEXIBLES
11.	FILTRE POUR FLEXIBLES
12.	COLLIER DE SERRAGE POUR FLEXIBLES
13.	FLEXIBLE
14.	FLOTTEUR
15.	BOUTEILLE DE SAVON *
16.	BROSSE *
17.	ÉCRAN DE FILTRE (VOIR FIG. P2)
18.	BUSE TURBO *
19.	RACCORD POUR BOUCHON DE BOUTEILLE *
20.	RALLONGE DE LANCE *

21.	ADAPTATEUR À RACCORD RAPIDE PIVOTANT *
22.	ADAPTATEUR DE RACCORD RAPIDE *
23.	LANCE COURTE *

\* Les accessoires reproduits ou décrits ne sont pas tous compris avec le modèle standard livré.

## CARACTÉRISTIQUES TECHNIQUES

Modèle KG633E KG633E.X (6 - désignation de machines, représentatives de nettoyeur alimenté par batterie)

	KG633E KG633E.X**
Tension	20 V  Max***
Pression	25 bar
Pression assignée	22 bar/15 bar
Débit d'eau max	210 L/h
30 Pression max. d'entrée eau	6 bar
F Hauteur d'aspiration	Max 1.5m
La température de l'eau	Max 40°C
Poids (Outil nu)	1.8kg

\*\* X = 1-999, A-Z, M1-M9, la seule différence entre ces modèles est que les clients visés sont différents. Il n'y a pas de changement concernant la sécurité.

\*\*\* La tension est mesurée à vide. La tension initiale de la batterie atteint un maximum de 20 volts. La tension nominale est de 18 volts.


## BATTERIES SUGGÉRÉES ET CHARGEURS

Catégorie	Type	Capacité
20V Batterie	KAB02	2.0Ah
20V Chargeur	KAC02	2.0A

Nous vous recommandons d'acheter vos accessoires dans le magasin qui vous a vendu l'outil. Reportez-vous à l'emballage de l'accessoire pour plus de détails. Le personnel du magasin peut vous aider et vous conseiller.

## INFORMATIONS RELATIVES


## AU BRUIT

Niveau de pression acoustique	$L_{pA}$ : 75.1dB(A)
Niveau de puissance acoustique	$L_{wA}$ : 86.1dB(A)
$K_{pA}$	3.0dB(A)
Porter une protection pour les oreilles	

## INFORMATIONS RELATIVES AUX VIBRATIONS

Valeur de vibration mesurée	$a_h = 0.841 \text{ m/s}^2$ $K = 1.5 \text{ m/s}^2$
-----------------------------	--

La valeur totale de vibration déclarée peut être utilisée pour comparer un outil à un autre, et peut également être utilisé dans une évaluation préliminaire de l'exposition.

 **AVERTISSEMENT:** La valeur d'émission de vibrations pendant l'utilisation réelle de l'outil électrique peut différer de la valeur déclarée selon la manière dont l'outil est utilisé, selon les exemples suivants et d'autres variations sur la manière dont l'outil est utilisé:

Comment l'outil est utilisé et quels matériaux sont coupés ou percés.


L'outil est en bon état et bien entretenu.

L'utilisation du bon accessoire pour l'outil et l'assurance qu'il est affûté et en bon état.

La bonne tenue des poignées et, le cas échéant, les accessoires anti-vibrations utilisés.

L'outil est utilisé comme prévu dans sa conception et dans le présent mode d'emploi.

**Cet outil peut causer un syndrome des vibrations main-bras s'il n'est pas correctement géré.**

 **AVERTISSEMENT:** Pour être précise, une évaluation du niveau d'exposition en conditions réelles d'utilisation doit également tenir compte de toutes les parties du cycle d'utilisation telles que les moments où l'outil est éteint, et ceux où il fonctionne au ralenti mais ne réalise pas réellement de tâche. Ceci peut réduire de manière significative le niveau d'exposition et la durée d'utilisation totale.

Afin de minimiser le risque d'exposition aux vibrations: Utilisez TOUJOURS des burins, des forets et des lames affûtés.

Entretenez cet outil de manière conforme au mode d'emploi et maintenez-le lubrifié (le cas échéant).

Si l'outil doit être utilisé régulièrement, investissez dans des accessoires anti-vibrations.

Planifiez votre travail pour étaler l'utilisation des outils à forte vibration sur plusieurs jours.

## ASSEMBLAGE ET

# FONCTIONNEMENT



**REMARQUE:** Avant d'utiliser cet outil, lire attentivement le mode d'emploi.

## AVANT UTILISATION

### Installation de la batterie (Voir Fig.A1)

### Retrait de la batterie (Voir Fig.A2)

### Retrait de la batterie (Voir Fig.A3)

**REMARQUE:** La Fig. A3 s'applique uniquement à la batterie avec témoin lumineux de batterie.

### Charge de votre batterie (Voir Fig.A4)

Pour plus d'informations, reportez-vous au manuel du chargeur.

## ASSEMBLAGE

### Mode de travail 1 (Voir Fig.B1)

Fixer la lance de pulvérisation sur la buse d'alimentation.

**REMARQUE :** La buse puissante peut fonctionner sous trois modes : lance pression de nettoyage seule, lance courte seule et lance courte avec extension.

### Mode de travail 2 (Voir Fig.B2)

Fixation de la lance courte sur l'injecteur principal.

### Mode de travail 3 (Voir Fig.B3, B4)

Fixation de la rallonge de lance à l'injecteur principal.  
Fixation de la lance courte à la rallonge de lance.

### Fixation de la buse de pulvérisation à jets multiples (Voir Fig.C)

**REMARQUE:** lors de la fixation, assurez-vous que la buse est bien installée en la faisant tourner à gauche et à droite, et appuyez dessus en douceur pour vérifier qu'elle est fermement verrouillée.

### Fixation du flexible à l'injecteur principal (Voir Fig.D1, D2 , D3)

**REMARQUE:** après fixation du flexible, vérifiez le raccordement en tirant en douceur sur le flexible. Il ne doit pas être extrait.

## FONCTIONNEMENT


**⚠ ATTENTION:** La batterie en dotation n'est pas étanche. Pour éviter tout risque de panne de la batterie, protéger la batterie contre toute exposition à l'eau pendant son utilisation. Ranger l'outil et la batterie dans un endroit sec après utilisation.

### Mise en marche (Voir Fig.E1,E2,E3)

**REMARQUE :** À la première utilisation ou après un

stockage à long terme, il est recommandé de fixer le robinet ou d'injecter de l'eau dans l'adaptateur de tuyau avec la machine activée, de manière à vider l'air.

### Sélection du modèle de buse (Voir Fig.F)

**REMARQUE:** choisissez un modèle de buse approprié en fonction du travail à réaliser. Les 0°, 15°, 25° et 40° s'appliquent pour le nettoyage, et le modèle de pulvérisation avec le symbole  est le plus adapté pour l'arrosage.

**⚠ AVERTISSEMENT:** Ne changez pas de modèle de buse lorsque l'outil est sous tension.

### Nettoyage (Voir Fig.G,H)

**⚠ AVERTISSEMENT: Ne pas raccorder l'appareil à un système d'alimentation en eau sale, rouillé, boueux ou corrosif (y compris liquides de nettoyage pour fenêtre, aliments d'origine végétale, fertilisants, etc.)**

**REMARQUE:** En cas d'utilisation d'eau de mer, le produit doit être rincé et utilisé avec de l'eau fraîche ensuite afin de prolonger la durée de vie de la machine.

### Arrosage (Voir Fig.I)

## FIXATION DES ACCESSOIRES

Un certain nombre d'accessoires ont été fournis avec ce produit et sont nécessaires en fonction des différentes applications. N'essayez pas d'utiliser le nettoyage sans une lance ou un accessoire fixé.

#### 1. Bouteille de savon (KA2563, vendue séparément)

La bouteille de savon fournit un détergent en mousse pour un nettoyage plus profond de la saleté. Elle est utilisée conjointement à l'injecteur principal. (Voir Fig. J1, J2)

**REMARQUE:** Gardez la machine connectée à la source d'eau lorsque vous utilisez la flacon de savon liquide.

#### 2. Brosse (KA2510, vendue séparément)

La brosse sert lors du nettoyage de voitures, bateaux, motos, etc. Elle est utilisée conjointement à l'injecteur principal. (Voir Fig.K1, K2)


#### 3. Buse Turbo (KA2527, vendue séparément)

La buse Turbo offre une rotation de l'eau de 360°, nettoyant une zone plus grande que l'embout d'eau de 0°. Utilisation recommandée avec réglage sur haute pression (Voir Fig.L)

#### 4. Raccord pour bouchon de bouteille (KA2588, vendue séparément)

Le raccord pour bouchon de bouteille permet de raccorder l'outil directement aux bouteilles de 2 litres disposant d'une ouverture d'environ 1". (REMARQUE:

Il est possible que le raccord ne soit pas adapté à toutes les bouteilles de boissons gazeuses et d'eau disponibles). (Voir Fig.M1, M2, M3)

 **AVERTISSEMENT:** Ne pas installer l'accessoire de raccord pour bouchon de bouteille avant son utilisation. Du liquide peut couler des fentes de l'accessoire si une bouteille est installée et que la machine est posée à un endroit.

#### **5. Adaptateur à raccord rapide pivotant (KA2529, vendue séparément)**

L'adaptateur à raccord rapide pivotant permet aux accessoires de nettoyage de pivoter jusqu'à 180° dans toutes les directions. Idéal pour nettoyer autour des zones difficiles à atteindre. Adapté au nettoyeur HYDROSHOT™ et à la buse de pulvérisation à jets multiples (Voir Fig.O1, O2)

## **ENTRETIEN**

### **Retirer la batterie de l'outil avant de procéder à un réglage, une réparation ou un entretien.**

Inspectez le produit pour détecter des pièces endommagées ou usées avant chaque utilisation. Ne l'utilisez pas en cas de présence de pièces endommagées ou usées. Veuillez contacter votre fournisseur ou le fabricant de pièces de rechange.


#### **Entretien du filtre pour flexibles**

Retirez le filtre pour flexibles du flexible et extrayez la crépine. Rincez les pièces à l'eau propre avant de les remonter. (Voir Fig. N1, N2)

#### **Entretien des crépines**

Retirez l'adaptateur de tuyau pour obtenir la crépine. (Voir Fig. P1, P2) Rincez-le à l'eau claire avant le remontage.

**REMARQUE:** Lorsque vous resserrez l'adaptateur de tuyau, veuillez le serrer fermement. Sinon, il ne peut pas puiser d'eau pour un bon fonctionnement.


 **AVERTISSEMENT:** Tout autre entretien doit être effectué par un représentant de service autorisé.

## **NETTOYAGE/ RANGEMENT**

Avant le stockage, videz complètement toute l'eau de la machine et du flexible.

Nettoyez le boîtier en plastique moulé de la machine à l'aide d'une brosse douce et d'un chiffon propre. N'utilisez pas d'eau, de solvants ou de cires. Doit toujours être rangé à un endroit sec et sécurisé et hors de la portée des enfants. Doit toujours être rangé à un endroit sec et sécurisé et hors de la portée des enfants. Ne posez pas d'autres objets sur la machine. Rangez la machine et les accessoires dans un endroit où il ne gèle pas.

## **PROTECTION DE L'ENVIRONNEMENT**

 Les déchets d'équipements électriques et électroniques ne doivent pas être déposés avec les ordures ménagères. Ils doivent être collectés pour être recyclés dans des centres spécialisés. Consultez les autorités locales ou votre revendeur pour obtenir des renseignements sur l'organisation de la collecte.

# GUIDE DE DÉPANNAGE

Problèmes	Causes possibles	Solution
La machine s'allume, mais ne puise pas assez d'eau ou la pression est insuffisante.	La buse électrique est trop haute par rapport à la surface de la source d'eau.	Abaissier la machine en dessous de 5 pi/1,5 m
	Le filtre du flexible est obstrué.	Retirer le filtre du flexible et rincer les pièces avec de l'eau propre. (Voir Fig. N1, N2)
	Le tuyau d'arrosage des utilisateurs n'est pas bien raccordé à la machine.	Vérifier et refixer fermement le tuyau d'arrosage.
	L'adaptateur pour flexibles se desserre.	Serrer fermement l'adaptateur pour flexibles à l'aide d'une clé.
	Il manque l'écran du filtre. (Voir Fig. P1, P2)	Contactier l'agent d'entretien Kress pour obtenir un écran de filtre.
	La pompe, le flexible ou d'autres pièces sont congelées à cause des températures extérieures.	Attendre que la pompe, le flexible ou les autres pièces se décongèlent.
	Le flexible s'entortille.	Redresser le flexible.
La buse à pulvérisation multiple fuit.	Le modèle de buse ne pulvérise pas correctement.	S'assurer que le symbole du modèle de buse est aligné par rapport au repère sur l'outil.
	Le clou de fixation de la buse à pulvérisation multiple se desserre.	Le serrer à l'aide d'une clé hexagonale.
La pression de sortie augmente soudainement.	La buse à pulvérisation multiple est obstruée.	La remplacer par une nouvelle buse à pulvérisation multiple.
La machine perd de l'eau après avoir été arrêtée.	Il reste de l'eau dans la lance et la pompe après l'arrêt.	Vidanger complètement l'eau avant le stockage.
Le distributeur de savon ne fonctionne pas.	Le flacon de savon est bloqué.	Le nettoyer à l'eau fraîche.
La machine ne démarre pas. La batterie est défectueuse. Remplacez la batterie.	La batterie n'est pas bien fixée.	Réinstaller la batterie.
	La batterie est vide.	La remplacer par une nouvelle batterie ou la recharger.
	La batterie est défectueuse.	Remplacer la batterie.
La pression de la machine n'est pas cohérente.	De l'air supplémentaire peut être aspiré dans la machine.	Vérifier le raccordement de l'adaptateur pour flexibles au flexible.
	La pression est basse.	Pas de mesure nécessaire.
La machine s'arrête automatiquement.	La batterie est vide.	La remplacer par une nouvelle batterie ou la recharger.
	La buse à pulvérisation multiple est bloquée. La protection actuelle est activée.	Retirer la buse à pulvérisation multiple et allumer la machine. Si la machine fonctionne normalement, remettre la buse à pulvérisation multiple.

# DÉCLARATION DE CONFORMITÉ

Nous,  
Positec Germany GmbH  
Postfach 32 02 16, 50796 Cologne, Germany

Déclarons que ce produit,  
Description **Nettoyeur alimenté par batterie**  
Modèle **KG633E KG633E.X(6- désignation de machines, représentatives de nettoyeur alimenté par batterie)**  
Fonctions **Nettoyage et arrosage**

Est conforme aux directives suivantes,  
**2006/42/EC, 2014/30/EU**  
**2011/65/EU&(EU)2015/863**  
**2000/14/EC modifiée par 2005/88/EC**

**2000/14/EC modifiée par 2005/88/EC:**  
- Procédure d'évaluation de la conformité conformément à **Annexe V**  
- Niveau de pression acoustique **86.1dB**  
- Niveau d'intensité acoustique **91.1dB**

et conforme aux norm  
**EN 60335-1, EN 60335-2-54, EN 62233, EN ISO 3744, EN IEC 55014-1, EN IEC 55014-2, EN IEC 63000**

34

F

La personne autorisée à compiler le dossier technique,  
**Nom: Marcel Filz**  
**Adresse: Positec Germany GmbH**  
**Postfach 32 02 16, 50796 Cologne, Germany**



2021/12/13  
Allen Ding  
Ingénieur en chef adjoint, Essais & Certification  
Positec Technology (China) Co., Ltd.  
18, Dongwang Road, Suzhou Industrial Park, Jiangsu 215123, P. R. China

# INDICE

Introduzione.....	35
Avvisi per la sicurezza.....	36
Elementi Dell'apparecchio.....	38
Specifiche.....	39
Montaggio E Funzionamento.....	39
Manutenzione.....	41
Tutela Ambientale.....	41
Risoluzione dei problemi.....	42
Dichiarazione Di Conformità.....	43

## INTRODUZIONE

Gentile Cliente,

Grazie per aver acquistato questo prodotto Kress. Ci dedichiamo allo sviluppo di prodotti di alta qualità per soddisfare le sue esigenze relative a prato e giardino.

Il marchio Kress è sinonimo di un servizio di prima qualità. Nel corso degli anni di utilizzo dei prodotti, se ha domande o dubbi, la preghiamo di contattare il rivenditore presso il quale ha acquistato il prodotto o il nostro Servizio clienti per ricevere assistenza.


Siamo sicuri che le piacerà lavorare con il suo prodotto Kress per gli anni a venire.

## USO CONFORME ALLE NORME

Questo elettrotensile è concepito per la pulizia e l'annaffiatura.

**Gli utenti possono consultare le istruzioni in formato digitale sul sito <https://www.kress.com/>.**

## **ISTRUZIONI ORIGINALI SICUREZZA DEL PRODOTTO AVVISI GENERALI PER LA SICUREZZA**

 **ATTENZIONE! È assolutamente necessario leggere attentamente tutte le istruzioni.** Eventuali errori nell'adempimento delle istruzioni qui di seguito riportate potranno causare scosse elettriche, incendi e/o lesioni gravi.

**Conservare tutti gli avvisi e le istruzioni per poterle consultare quando necessario.**

- Questo elettroutensile può essere usato da persone portatrici di handicap fisici, psichici o sensoriali o che non possiedano la dovuta esperienza o conoscenza, sempre che siano supervisionati o opportunamente istruiti sull'uso sicuro e comprendano i pericoli inerenti. I bambini non devono giocare con l'elettrodomestico.

- Il dispositivo deve essere utilizzato unicamente con l'unità di alimentazione fornita in dotazione.

## **Punti supplementari di sicurezza**

1. Il liquido non deve essere orientato verso apparecchiature contenenti componenti elettrici.
2. Rimuovere e scollegare il pacco batteria dopo l'uso e prima di eseguire qualsiasi intervento di manutenzione da parte dell'utente sull'elettrotensile.
3. L'apparecchio non deve essere lasciato incustodito quando è collegato all'alimentazione elettrica.
4. L'apparecchio non deve essere usato se è stato fatto cadere, se vi sono segni visibili di danni oppure se perde.
5. Tenere l'apparecchio lontano dalla portata dei bambini quando è alimentato.

## **ISTRUZIONI PER LA SICUREZZA DEL PACCO BATTERIA**

- a) **Non smontare, aprire o strappare le cellule secondarie o il pacco batteria.**
- b) **Non cortocircuitare un**

**pacco batteria. Non conservare un pacco batteria disordinatamente in una scatola o un cassetto in cui potrebbero cortocircuitarsi tra essi o essere cortocircuitati da altri oggetti metallici.**

Quando il pacco batteria non è in uso, tenerlo lontano da altri oggetti metallici come graffette, monete, chiavi, chiodi, viti e altri piccoli oggetti metallici, potrebbe avverarsi un collegamento tra i due terminali. Collegare i terminali della batteria potrebbe causare incendi o ustioni.




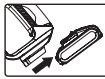



- c) Non esporre il pacco batteria a calore o fuoco. Evitare di conservarli alla luce diretta del sole.**
- d) Non sottoporre il pacco batteria a scosse meccaniche.**
- e) In caso di perdite da una cellula, evitare che il liquido entri in contatto con la pelle o gli occhi. In caso di contatto, lavare l'area interessata con abbondante acqua e consultare un medico.**
- f) Tenere le cellule e il pacco batteria puliti e asciutti.**
- g) Pulire i terminali delle cellule e del pacco batteria con un panno**

**pulito e asciutto nel caso in cui si sporchino.**

- h) Il pacco batteria deve essere caricato prima dell'uso. Utilizzare sempre il caricatore corretto e consultare le istruzioni.**
- i) Non lasciare un pacco batteria in carica se non in uso.**
- j) Dopo lunghi periodi di conservazione, potrebbe essere necessario caricare e scaricare le cellule o il pacco batteria diverse volte per ottenere le massime prestazioni.**
- k) Ricaricare solo con il caricatore specificato da Kress. Non utilizzare caricatori diversi da quelli forniti per l'uso specifico con l'apparecchiatura.**
- l) Non utilizzare un pacco batteria non progettato per l'uso con l'apparecchiatura.**
- m) Tenere il pacco batteria fuori dalla portata dei bambini.**
- n) Conservare i documenti originali del prodotto per riferimenti futuri.**
- o) Rimuovere la batteria dall'apparecchiatura, se non in uso.**
- p) Smaltire adeguatamente.**
- q) Non mischiare batterie di diverse marche, capacità, dimensioni o tipologia**

nello stesso dispositivo.  
r) Tenere la batteria lontano da microonde e alta pressione.

## SIMBOLI

	Avvertenza
	Leggere le istruzioni
	Se smaltite in maniera scorretta, le batterie potrebbero entrare nel ciclo dell'acqua, con conseguenti rischi per l'ambiente. Non smaltire le batterie esaurite nei rifiuti generici.
	Non bruciare
	Rimuovere la batteria dalla presa prima di eseguire qualsiasi regolazione, riparazione o intervento di manutenzione.
	Blocco
	Sblocca
	I prodotti elettrici non possono essere gettati tra i rifiuti domestici. L'apparecchio da rottamare deve essere portato al centro di riciclaggio per un corretto trattamento. Controllare con le autorità locali o con il rivenditore per localizzare il centro di riciclaggio più vicino.



Li-Ion



Batteria agli ioni di litio (Li-Ion). Questo prodotto è stato contrassegnato con un simbolo riguardante la raccolta differenziata per tutti i pacchi batteria. La batteria sarà poi riciclata o demolita allo scopo di ridurre l'impatto ambientale. I pacchi batteria possono costituire un pericolo per l'ambiente e per la salute umana in quanto contengono sostanze pericolose.


## ELEMENTI DELL'APPARECCHIO

1. INTERRUTTORE DI BLOCCO
2. UNITÀ BATTERIA \*
3. LEVETTA DI ACCENSIONE/SPEGNIMENTO
4. ADATTATORE PER TUBO FLESSIBILE
5. PISTOLA A SPRUZZO
6. LANCIA PER LAVAGGIO A PRESSIONE
7. ADATTATORE PER UGELLO
8. UGELLO MULTI-GETTO
9. CHIODO DI FISSAGGIO
10. RACCORDO PER TUBO FLESSIBILE
11. FILTRO PER TUBO FLESSIBILE
12. FERMO PER TUBO FLESSIBILE
13. TUBO FLESSIBILE
14. GALLEGGIANTE
15. SERBATOIO DEL DETERSIVO \*
16. SPAZZOLA \*
17. SCHERMO DI PROTEZIONE FILTRO (VEDI FIG. P2)
18. UGELLO TURBO \*
19. CONNETTORE PER BOTTIGLIE \*
20. LANCIA DI PROLUNGA \*
21. ADATTATORE SNODATO AD ATTACCO RAPIDO \*
22. ADATTATORE PER ATTACCO RAPIDO \*
23. LANCIA CORTA \*

\* Accessori illustrati o descritti non fanno necessariamente parte del volume di consegna.

## DATI TECNICI

**Codice KG633E KG633E.X (6- designazione della macchina, tipo di idropulitrice alimentata a batteria)**

	<b>KG633E KG633E.X**</b>
Tensione	20 V  Max***
Pressione	25 bar
Pressione nominale	22 bar/15 bar
Portata d'acqua max.	210 L/h
Pressione max. acqua in ingresso	6 bar
Altezza di aspirazione	Max 1.5m
Temperatura dell'acqua	Max 40°C
Peso (Utensile nudo)	1.8kg

\*\* X = 1-999, A-Z, M1-M9 solo per clienti diversi, non ci sono cambiamenti rilevanti sicuri tra questi modelli.


\*\*\* Tensione misurata senza carico di lavoro. La tensione iniziale della batteria raggiunge un massimo di 20 Volt. La tensione nominale è di 18 Volt.

## BATTERIE CONSIGLIATE E CARICABATTERIE

Categoria	Tipo	Capacità
20V Batteria	KAB02	2.0Ah
20V Carica-batteria	KAC02	2.0A

Ti consigliamo di acquistare gli accessori nello stesso negozio dove compri l'utensile. Fare riferimento alla confezione degli accessori per ulteriori dettagli. Il personale del negozio può aiutarti e offrire consulenza.


## INFORMAZIONI SUL RUMORE

Pressione acustica ponderata A	$L_{pA}$ : 75.1 dB(A)
Potenza acustica ponderata A	$L_{wA}$ : 86.1dB(A)
$K_{pA}$	3.0dB(A)
Indossare protezione per le orecchie	

## INFORMAZIONI SULLA VIBRAZIONE

Vibrazione ponderata tipica	$a_h = 0.841 \text{ m/s}^2$ $K = 1.5 \text{ m/s}^2$
-----------------------------	--

Il valore totale dichiarato delle vibrazioni può essere utilizzato per confrontare un utensile con un altro e in una valutazione di esposizione preliminare.

 **AVVERTENZA:** Il valore delle vibrazioni emesse durante il reale utilizzo dello strumento può differire dal valore dichiarato in base ai modi con cui viene usato lo strumento, ai seguenti esempi e ad altre variabili:

Come viene usato l'apparecchio e i materiali tagliati o forati.


Le condizioni e la buona manutenzione dello strumento.

L'uso dell'accessorio corretto per il taglio e la sua affilatura, nonché le sue buone condizioni.

La stretta sull'impugnatura e l'eventuale utilizzo di accessori antivibrazione.

L'adeguatezza dell'utilizzo dell'utensile rispetto a quanto previsto.

**Questo strumento potrebbe causare la sindrome da vibrazioni mano-braccio se il suo utilizzo non viene gestito correttamente.**

 **AVVERTENZA:** Per essere precisi, una stima del livello di esposizione nelle attuali condizioni di utilizzo dovrebbe anche tenere conto di tutte le parti del ciclo operativo, come le volte in cui lo strumento viene spento e il tempo in cui viene lasciato girare a vuoto senza realmente fare il suo lavoro. Questo potrebbe ridurre significativamente il livello di esposizione sul periodo di lavoro totale. Un aiuto a minimizzare il proprio rischio di esposizione alle vibrazioni.

USARE sempre scalpelli, trapani e lame affilate. Conservare questo strumento sempre in conformità a queste istruzioni e mantenerlo ben lubrificato (dove appropriato).

Se lo strumento deve essere usato regolarmente, investire in accessori antivibrazione. Pianificare il programma di lavoro in modo da suddividere i lavori che implicano le maggiori vibrazioni nell'arco di più giorni.

## MONTAGGIO E FUNZIONAMENTO



**Nota:** Leggere scrupolosamente il manuale delle istruzioni prima di usare l'attrezzo.

### PRIMA DEL FUNZIONAMENTO

**Inserimento del pacco batteria (Vedi Fig.A1)**

**Rimozione del pacco batteria (Vedi Fig.A2)**

**Controllo dello stato di carica della batteria (Vedi Fig.A3)**

**NOTA:** la Fig. A3 si riferisce solamente alla batteria con indicatore luminoso.

## Caricamento della batteria(Vedi Fig.A4)

È possibile trovare maggiori dettagli nel manuale del caricatore

## MONTAGGIO

### Modalità operativa 1 (Vedi Fig.B1)

Attacco della lancia per lavaggio a pressione alla pistola a spruzzo.

**NOTA:** l'ugello di comando presenta tre modalità di funzionamento: pulizia a pressione con solo lancia, solo la lancia corta e la lancia corta usata insieme alla lancia di prolunga.

### Modalità operativa 2 (Vedi Fig.B2)

Attacco della lancia corta alla pistola a spruzzo

### Modalità operativa 3 (Vedi Fig.B3, B4)

Attacco della lancia di prolunga allapistola a spruzzo.  
Attacco della lancia corta alla prolunga.

### Attacco dell'ugello multi-getto (Vedi Fig.C)

**NOTA:** quando si attacca l'ugello multi-getto, ruotare l'ugello verso sinistra e verso destra per assicurarsi che sia in sede e bloccato saldamente in posizione.

### Attacco del tubo flessibilepistola a spruzzo (Vedi Fig.D1, D2 , D3)

**NOTA:** Dopo avere attaccato il tubo flessibile, verificare il collegamento tirando delicatamente il tubo. Non si dovrebbe togliere.


## FUNZIONAMENTO

**AVVERTENZA:** la batteria fornita in dotazione non è a tenuta stagna. Per evitare il rischio di guasti alla batteria, proteggerla dall'esposizione all'acqua durante l'uso. Dopo l'uso conservare l'utensile in un luogo asciutto.

### Avviamento (Vedi Fig.E1,E2,E3)

**NOTA:** al primo utilizzo o dopo un lungo periodo di conservazione, si consiglia di attaccare il rubinetto o di iniettare acqua nell'adattatore per tubi flessibili con l'apparecchio acceso, in modo da eliminare l'aria. Evitare di iniziare il lavoro finché l'acqua non sale lungo il tubo e non viene spruzzata fuori.

### Selezione del tipo di getto (Vedi Fig.F)

**NOTA:** Scegliere il tipo di getto più adatto per il lavoro da svolgere. Le posizioni di spruzzo 0°, 15°, 25° e 40° si utilizzano per lavori di pulizia e spruzzatura, mentre la posizione con il simbolo  è ideale per annaffiare.

**AVVERTENZA:** Non modificare il tipo di getto mentre l'elettrotensile è acceso.

## Pulizia(Vedi Fig.G,H)

**AVVERTENZA:** non collegare la macchina a una fonte d'acqua torbida, arrugginita fangosa o corrosiva (inclusa acqua contenente liquidi detergenti per i vetri, concimi, fertilizzanti, ecc.)

**NOTA:** Se si utilizza acqua salata, il prodotto deve essere risciacquato e utilizzato con acqua dolce dopo ogni uso per prolungarne la durata.

## Annaffiatura(Vedi Fig.I)

## ATTACCO DEGLI ACCESSORI

In dotazione con il prodotto vengono forniti alcuni accessori, necessari per l'uso nelle diverse applicazioni. **Non tentare di utilizzare l'idropulitrice senza la lancia o altri accessori montati.**

### 1. Serbatoio del detersivo (KA2563, venduto separatamente)

Il serbatoio del detersivo fornisce il detersivo schiumoso per la pulizia profonda dello sporco. Viene usato insieme alla pistola a spruzzo.(Vedi Fig.J1, J2)

**NOTA:** Mantenere la macchina collegata all'acqua quando si utilizza una bottiglia di sapone.

### 2.Spazzola (KA2510, venduto separatamente)

La spazzola serve per pulire auto, barche, motociclette, ecc. Viene usato insieme alla pistola a spruzzo.(Vedi Fig.K1, K2)

### 3. Ugello Turbo (KA2527, venduto separatamente)

L'ugello turbo eroga acqua a 360° permettendo di lavare un'area più ampia rispetto all'ugello fisso nello stesso intervallo di tempo. Si raccomanda l'uso con la pressione regolata al massimo. (Vedi Fig.L)

### 4. Connettore per bottiglie (KA2588, venduto separatamente)

Il connettore per bottiglie è un accessorio che permette di collegare direttamente la macchina alla maggior parte delle bottiglie da 2 litri con aperture da 1" circa. (NOTA: potrebbe non essere compatibile con tutte le bottiglie d'acqua e bibite) (Vedi Fig.M1, M2, M3)

**AVVERTENZA:** Installare questo accessorio solo quando si è pronti a utilizzarlo. Se si installa una bottiglia e si lascia la macchina appoggiata su una superficie, dalle prese d'aria potrebbe fuoriuscire del liquido.

### 5. Adattatore snodato ad attacco rapido (KA2529, venduto separatamente)

L'adattatore snodato ad attacco rapido permette di regolare gli accessori di pulizia fino a 180° in qualsiasi direzione. Ideale per pulire in aree difficili da raggiungere. Adatto per l'idropulitrice HYDROSHOT™ e l'ugello multi-getto. (Vedi Fig.O1, O2)

# MANUTENZIONE

**Rimuovere il pacco batteria dall'utensile prima di eseguire qualsiasi regolazione, riparazione o manutenzione.**

Prima di ciascun utilizzo controllare che il prodotto non sia danneggiato e non presenti parti usurate. Se il prodotto è danneggiato o presenta parti usurate non utilizzarlo. Per i ricambi rivolgersi al proprio fornitore o al produttore.


## **Manutenzione del tubo flessibile**

Rimuovere il filtro per il tubo flessibile ed estrarre la retina interna. Risciacquare le parti con acqua pulita prima di rimontare il filtro. (Vedi Fig. N1, N2)

## **Manutenzione dello schermo filtro**

Rimuovere l'adattatore del tubo per ottenere lo schermo filtro. (Vedi Fig. P1, P2) Risciacquarlo con acqua pulita prima di rimontare.


**NOTA:** Quando riserrare l'adattatore del tubo, si prega di serrare sicuramente. Altrimenti, potrebbe non attingere acqua per il corretto funzionamento.

 **AVVERTENZA:** Qualsiasi altro servizio deve essere eseguito da un rappresentante dell'assistenza autorizzato.

# PULIZIA / STOCCAGGIO

Prima dello stoccaggio scaricare tutta l'acqua dalla macchina e dal tubo flessibile. Pulire la scocca in plastica stampata della macchina con una spazzola morbida e un panno pulito. Non usare acqua, solventi o prodotti lucidanti. Conservare sempre il in un luogo sicuro e asciutto, fuori dalla portata dei bambini. Non accatastare sopra di essa altri oggetti. Riporre la macchina e i rispettivi accessori in un luogo riparato dal gelo.

# TUTELA AMBIENTALE

 I prodotti elettrici non possono essere gettati tra i rifiuti domestici. L'apparecchio da rottamare deve essere portato al centro di riciclaggio per un corretto trattamento. Controllare con le autorità locali o con il rivenditore per localizzare il centro di riciclaggio più vicino.

# RISOLUZIONE DEI PROBLEMI

Problema	Possibile Causa	Soluzione	
La macchina si accende, ma non aspira l'acqua oppure la pressione è insufficiente.	La pistola a spruzzo è troppo in alto rispetto alla fonte idrica.	Abbassare la macchina al di sotto di 1,5 m (5 ft).	
	Il filtro per il tubo flessibile è ostruito.	Estrarre il filtro e risciacquare le rispettive parti con acqua pulita. (Vedi Fig. N1, N2)	
	Il tubo di gomma da giardinaggio non è collegato correttamente alla macchina.	Verificare e riattaccare saldamente il tubo da giardinaggio.	
	L'adattatore per il tubo flessibile perde.	Serrare saldamente l'adattatore per il tubo flessibile con una chiave.	
	Manca lo schermo di protezione del filtro. (Vedi Fig. P1, P2)	Rivolgersi a un tecnico dell'assistenza Kress per procurarsi uno schermo di protezione del filtro.	
	La pompa, il tubo flessibile o altre parti sono congelati per via delle basse temperature esterne.	Attendere che la pompa, il tubo flessibile o le altre parti si scongelino.	
L'ugello multi-getto perde.	Il tubo flessibile si attorciglia.	Raddrizzare il tubo flessibile.	
	Il tipo di getto non spruzza l'acqua correttamente.	Assicurarsi che il simbolo del tipo di getto sia allineato con il segno sull'elettrotensile.	
42	Il chiodo di fissaggio dell'ugello multi-getto perde.	Serrarlo con una chiave esagonale.	
I	La pressione dell'acqua in uscita aumenta improvvisamente.	L'ugello multi-getto è ostruito.	Sostituirlo con un ugello multi-getto nuovo.
Dopo l'arresto della macchina, l'acqua cola fuori.	C'è ancora acqua all'interno della lancia e della pompa.	Scaricare tutta l'acqua prima di riporre la macchina.	
L'accessorio di erogazione del detersivo non riesce a spruzzarlo fuori.	Il serbatoio del detersivo è ostruito.	Lavarlo con acqua fresca.	
La macchina non si avvia.	Il pacco batteria non è collegato correttamente.	Reinstallare il pacco batteria.	
	Il pacco batteria è esaurito.	Sostituirlo con un pacco batteria nuovo oppure ricaricarlo.	
	La batteria è difettosa.	Sostituire la batteria.	
La pressione della macchina non è costante.	Potrebbe essere aspirata troppa aria nella macchina.	Verificare il collegamento tra l'adattatore per il tubo flessibile e il tubo stesso.	
	La macchina è stata regolata alla modalità a bassa pressione.	Non è necessario intervenire.	
La macchina si ferma automaticamente.	Il pacco batteria è esaurito.	Sostituirlo con un pacco batteria nuovo oppure ricaricarlo.	
	L'ugello multi-getto è ostruito. Il dispositivo di protezione dalle sovratensioni è attivato.	Rimuovere l'ugello multi-getto e accendere la macchina. Se la macchina funziona normalmente, sostituirlo con un ugello multi-getto nuovo.	

# DICHIARAZIONE DI CONFORMITÀ

Noi,  
Positec Germany GmbH  
Postfach 32 02 16, 50796 Cologne, Germany

Dichiariamo che l'apparecchio,  
Descrizione **Idropulitrice alimentata a batteria**  
Codice **KG633E KG633E.X (6 - designazione  
della macchina, tipo di idropulitrice alimentata a  
batteria)**  
Funzioni **Pulizia e annaffiatura**

È conforme alle seguenti direttive,  
**2006/42/EC**  
**2014/30/EU**  
**2011/65/EU&(EU)2015/863**  
**2000/14/EC modificata dalla 2005/88/EC**

2000/14/EC modificata dalla 2005/88/EC:  
- Procedura di conformità come da **Annesso V**  
- Potenza acustica pesata **86.1 dB**  
- Massima potenza di rumore garantita **91.1 dB**

conforme a,  
**EN 60335-1, EN 60335-2-54, EN 62233, EN ISO  
3744, EN IEC 55014-1, EN IEC 55014-2, EN IEC  
63000**

Il responsabile autorizzato alla compilazione della  
documentazione tecnica,

**Nome: Marcel Filz**  
**Indirizzo: Positec Germany GmbH**  
**Postfach 32 02 16, 50796 Cologne, Germany**



2021/12/13  
Allen Ding  
Vice capo ingegnere, testing e certificazione  
Positec Technology (China) Co., Ltd.  
18, Dongwang Road, Suzhou Industrial  
Park, Jiangsu 215123, P. R. China

# ÍNDICE

Introducción.....	44
Advertencia de seguridad.....	45
Lista De Componentes.....	47
Especificaciones.....	47
Montaje Y Funcionamiento.....	49
Mantenimiento.....	50
Protection Ambiental .....	50
Solución de problemas.....	51
Declaración De Conformidad.....	52

---

## INTRODUCCIÓN

44  
ES Estimado cliente:

Gracias por comprar este producto Kress. Nos dedicamos a desarrollar productos de alta calidad para satisfacer sus necesidades para césped y jardín.

La marca Kress es sinónimo de servicio de calidad suprema. Durante la vida de nuestros productos, si le surgen preguntas o preocupaciones sobre su producto, póngase en contacto con el lugar de compra o con nuestro Equipo de Atención al Cliente para obtener ayuda.

Confiamos en que, en los años venideros, disfrute trabajando con su producto Kress.

## UTILIZACIÓN REGLAMENTARIA

Esta herramienta está diseñada para limpiar y para regar.

Los usuarios pueden consultar las instrucciones electrónicas en <https://www.kress.com/>.

## MANUAL ORIGINAL SEGURIDAD DEL PRODUCTO ADVERTENCIAS DE SEGURIDAD GENERALES

 **ADVERTENCIA! Leer todas las instrucciones.**

Si no se respetan las instrucciones, existe un riesgo de descargas eléctricas, de incendio y/o de graves heridas.

**Lea detenidamente las instrucciones para garantizar el uso seguro de la máquina.**

- Este aparato puede ser utilizado por personas que tengan alguna limitación física, sensorial o intelectual, o que no tengan la experiencia y los conocimientos suficientes, siempre y cuando estén bajo vigilancia, hayan recibido una instrucción adecuada en el uso seguro del aparato y comprendan los peligros que conlleva. Los niños no deben jugar con el aparato.
- El aparato únicamente debe utilizarse con la fuente de alimentación suministrada.

**Las normas de seguridad**

### adicionales

1. No se debe dirigir líquido hacia equipos que contengan componentes eléctricos.
2. Extraiga o desconecte la batería cuando termine de utilizar el aparato y antes de empezar cualquier trabajo de mantenimiento en el mismo.
3. El aparato no debe dejarse sin vigilancia cuando está conectado a la red de suministro.
4. El aparato no debe utilizarse si se ha caído, si presenta signos visibles de daños o si tiene pérdidas.
5. Mantenga el aparato alejado del alcance de los niños cuando esté enchufado.

### ADVERTENCIAS DE SEGURIDAD PARA LA BATERÍA

- a) **No desmonte, abra o destruya las pilas o las baterías recargables.**
- b) **No provoque un cortocircuito en la batería. No almacene las baterías de forma descuidada en una caja o cajón donde podría provocar un cortocircuito entre ellas o mediante otros objetos metálicos.** Cuando la batería no esté siendo utilizada,

manténgala alejada de objetos metálicos, como clips de papel, monedas, llaves, clavos, tornillos u otros objetos metálicos pequeños, que pueden posibilitar la conexión de un borne con otro. Al provocar un cortocircuito con los bornes de la batería se pueden sufrir quemaduras o generar un incendio.





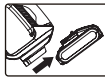





- c) No exponga las baterías al calor o al fuego. No las guarde expuestas directamente al sol.**
- d) No exponga las baterías a impactos mecánicos.**
- e) En caso de que la batería tenga fugas de líquido, no permita que el líquido entre en contacto con la piel o los ojos. Si se produce el contacto, lave la zona afectada con grandes cantidades de agua y acuda a un médico.**
- g) Mantenga las baterías limpias y secas.**
- h) Limpie los bornes de la batería con un paño limpio si se ensucian.**
- i) Cargue la batería antes de utilizarla. Consulte siempre estas instrucciones y aplique el procedimiento de carga adecuado.**
- j) No deje la batería**

**cargándose durante prolongados períodos de tiempo cuando no se utilice.**

- k) Después de prolongados períodos de almacenamiento, puede que sea necesario cargar y descargar la batería varias veces para obtener el máximo rendimiento.**
- n) Recargue solo con el cargador indicado por Kress. No utilice ningún otro cargador que no sea el específicamente proporcionado para el uso con este equipo.**
- o) No utilice ninguna batería distinta a la diseñada para utilizarse con el aparato.**
- p) Mantenga la batería fuera del alcance de los niños.**
- q) Conserve la documentación original del producto por si tuviera que consultarla en otro momento.**
- r) Extraiga la batería del aparato cuando no lo utilice.**
- s) Deshágase del producto correctamente.**
- t) No se deben mezclar pilas de diferentes fabricantes, capacidad, tamaño o tipo en un mismo dispositivo.**
- r) Mantener la batería lejos de microondas y alta**

# presión.

## SÍMBOLOS


	Advertencia
	Lea el manual
	Si no se eliminan correctamente, las baterías podrían interferir en el ciclo del agua, una situación que pondría en riesgo el ecosistema. Por este motivo, las baterías no deben eliminarse junto con los residuos municipales sin clasificar.
	No quemar
	Retire el enchufe de la toma de corriente antes de efectuar cualquier ajuste, reparación o mantenimiento.
	Bloquear
	Desbloquear
	Los residuos de aparatos eléctricos y electrónicos no deben depositarse en la basura doméstica. Se deben reciclar en las instalaciones especializadas. Consulte a las autoridades locales o el establecimiento para saber cómo reciclar estos productos.
 Li-Ion 	Batería de iones de litio. Este producto tiene una marca que lo designa para la recogida selectiva, junto con otras pilas y baterías. Una vez recogido, se reciclará o se desmontará con el fin de reducir el impacto en el medioambiente. Las baterías contienen sustancias peligrosas y pueden ser perjudiciales para el medioambiente y para la salud de las personas.

1.	INTERRUPTOR DE DESBLOQUEO
2.	BATERÍA *
3.	PALANCA DEL INTERRUPTOR DE ENCENDIDO Y APAGADO
4.	ADAPTADOR PARA MANGUERA
5.	BOQUILLA DE PRESIÓN
6.	LANZA DE LIMPIEZA A PRESIÓN
7.	ADAPTADOR PARA BOQUILLA
8.	BOQUILLA MULTIFUNCIÓN
9.	PASADOR DE FIJACIÓN
10.	CONECTOR PARA MANGUERA
11.	FILTRO DE MANGUERA
12.	ABRAZADERA PARA MANGUERA
13.	MANGUERA
14.	FLOTADOR
15.	BOTELLA DE DETERGENTE *
16.	CEPILLO *
17.	PANTALLA FILTRANTE (VER FIG. P2)
18.	BOQUILLA TURBO *
19.	CONECTOR DE TAPÓN DE BOTELLA *
20.	LANZA ALARGADORA *
21.	ADAPTADOR RÁPIDO PIVOTANTE *
22.	ADAPTADOR RÁPIDO *
23.	LANZA CORTA*

\* Los accesorios ilustrados o descritos pueden no corresponder al material suministrado de serie con el aparato.

## DATOS TÉCNICOS

Modelo KG633E KG633E.X (6 - denominación de la máquina, representa un limpiador a batería)

	KG633E KG633E.X**
Tensión nominal	20 V  Max***
Presión	25 bar
Presión nominal	22 bar/15 bar
Caudal de agua máx.	210 L/h
Presión máxima de entrada del agua	6 bar
Altura de succión	Max 1.5m

## LISTA DE COMPONENTES

Temperatura del agua	Max 40°C
Peso (Sin batería)	1.8kg

\*\* X = 1-999, A-Z, M1-M9 solo se utilizan para diferentes clientes, no hay cambios relevantes seguros entre estos modelos.


\*\*\* Voltaje medido sin carga. El voltaje inicial máximo de la batería es de 20 voltios. El voltaje nominal es de 18 voltios.

## BATERÍAS SUGERIDAS Y CARGADORES

Categoría	Tipo	Capacidad
20V Batería	KAB02	2.0Ah
20V Cargador	KAC02	2.0A

Le recomendamos que compre sus accesorios en la misma tienda que compró la herramienta. Consulte el paquete de accesorios para obtener más detalles. El personal de la tienda puede ayudarlo y ofrecerle asesoramiento.

## INFORMACIÓN SOBRE EL RUIDO

Nivel de presión acústica de ponderación	$L_{pA}$ : 75.1 dB(A)
Nivel de potencia acústica de ponderación	$L_{wA}$ : 86.1 dB(A)
$K_{pA}$	3.0 dB(A)
Utilice protección auditiva	

## INFORMACIÓN SOBRE LAS VIBRACIONES

Frecuencia de vibración típica	$a_n = 0.841 \text{ m/s}^2$ $K = 1.5 \text{ m/s}^2$
--------------------------------	--

El nivel de vibraciones declarado puede utilizarse para realizar comparaciones entre herramientas y para la evaluación preliminar de la exposición.

**ADVERTENCIA:** El valor de emisión de vibraciones durante el uso de la herramienta podría ser distinto al valor declarado dependiendo de la forma en que se use la herramienta según las condiciones siguientes, y otras variaciones sobre el uso de la herramienta:

El modo de uso de la herramienta y los materiales que se cortan o perforan.

El estado general y las condiciones de mantenimiento de la herramienta.

La utilización del accesorio correcto para la herramienta y su correcto mantenimiento afilado y en buenas condiciones.

La firme sujeción de las empuñaduras y la utilización de accesorios antivibración.

El uso de la herramienta conforme a su diseño y estas instrucciones.

**Esta herramienta podría causar síndrome de vibración mano-brazo si no se utiliza correctamente.**

**ADVERTENCIA:** Para conseguir una mayor precisión, debe tenerse en cuenta una estimación del nivel de exposición en condiciones reales de todas las partes del ciclo de uso, como los tiempos durante los que la herramienta está apagada o el tiempo que está funcionando al ralentí sin realizar ningún trabajo. Esto podría reducir notablemente el nivel de exposición durante el periodo completo de trabajo.

Cómo minimizar el riesgo de exposición a la vibración. Utilice SIEMPRE cinceles, brocas y cuchillas afiladas. Mantenga esta herramienta de acuerdo con estas instrucciones y bien lubricada (si es necesario). Si la herramienta se utiliza regularmente, invierta en accesorios antivibración.

Planifique su programa de trabajo para distribuir el uso de la herramienta a lo largo de varios días.

## MONTAJE Y FUNCIONAMIENTO



**Nota:** Antes de usar la herramienta lea el manual de instrucciones detenidamente

### ANTES DE UTILIZAR

Instalación de la batería (Ver Fig. A1)

Instalación de la batería (Ver Fig. A2)

Comprobación del estado de la batería (Ver Fig. A3)

**NOTA:** La Fig. A3 solo es aplicable a la batería con indicador de la batería.

Carga de la batería (Ver Fig. A4)

Encontrará más información en el manual del cargador!

### MONTAJE

Modo de funcionamiento 1 (Ver Fig. B1)

Instalación de la lanza de limpieza a presión en la boquilla de presión

**NOTA:** La boquilla tiene tres modos de trabajo: lanza de limpieza a presión únicamente, lanza corta únicamente y lanza corta usada junto con lanza de

extensión.

## Modo de funcionamiento 2 (Ver Fig. B2)

Instalación de la lanza corta en la boquilla de presión

## Modo de funcionamiento 3 (Ver Fig. B3, B4)

Instalación de la lanza alargadora en la boquilla de presión.

Instalación de la lanza corta en la lanza alargadora.


## Instalación de la boquilla multifunción (Ver Fig. C)

**NOTA:** Cuando instale la boquilla, gírela hacia la izquierda y hacia la derecha para verificar que esté colocada correctamente, a la vez que tira suavemente de ella para asegurarse de que esté bloqueada firmemente en su posición.

## Instalación de la manguera en la boquilla de presión (Ver Fig. D1, D2, D3)

**NOTA:** Después de instalar la manguera, tire suavemente de ella para comprobar la conexión. No debe soltarse.


## FUNCIONAMIENTO


 **ADVERTENCIA:** La batería suministrada no es resistente al agua. Para evitar problemas en la batería, debe mantenerse protegida del agua durante el funcionamiento. Cuando termine de utilizarlas, guarde la batería y la herramienta en un lugar seco.

## Puesta en marcha (Ver Fig. E1,E2,E3)


**NOTA:** En el primer uso o después de larga duración en almacenamiento, se recomienda conectar el grifo o inyectar agua en el adaptador de manguera con la máquina encendida, para vaciar el aire. No empezar a trabajar hasta que suba agua por la manguera y se rocíe fuera.

## Selección del chorro de agua con la boquilla (Ver Fig. F)

**NOTA:** Seleccione el chorro de agua más adecuado para el trabajo que se va a llevar a cabo los chorros de 0°, 15°, 25° y 40° pueden utilizarse para limpiar, mientras que el chorro con el símbolo  es el más adecuado para regar.

 **ADVERTENCIA:** No intente cambiar el tipo de chorro de agua con el aparato en marcha.

## Limpieza (Ver Fig. G,H)

 **ADVERTENCIA:** No conecte la máquina a un suministro de agua que contenga suciedad, óxido o barro, o que sea corrosivo (incluyendo líquidos para limpiar cristales, abono para plantas, fertilizantes, etc.)

**NOTA:** Si se utiliza agua de mar, al terminar el producto se debe lavar y utilizar con agua dulce para alargar la vida útil de la máquina.

## Riego(Ver Fig. I)

# INSTALACIÓN DE LOS ACCESORIOS

Junto con el producto se incluyen varios accesorios que son necesarios para poder llevar a cabo diferentes tareas. **No intente utilizar el aparato para limpiar sin que haya instalada una lanza u otro accesorio adecuado.**

### 1. Botella de detergente (KA2563, se vende por separado)

La botella de detergente proporciona un suministro de detergente para facilitar la limpieza de determinados tipos de suciedad. Debe utilizarse conjuntamente con la boquilla de presión. (Ver Fig. J1, J2)

**NOTA:** Mantenga la máquina conectada a las fuentes de agua cuando use la botella de jabón.

### 2. Cepillo (KA2510, se vende por separado)


El cepillo se utiliza para limpiar coches, embarcaciones, motocicletas, etc. Debe utilizarse conjuntamente con la boquilla de presión. (Ver Fig. K1, K2)

### 3. Boquilla turbo (KA2527, se vende por separado)

La boquilla turbo suministra un chorro de agua giratorio en 360°, que limpia una superficie mayor que un chorro de agua de 0° en el mismo periodo de tiempo. Se recomienda utilizarla con el ajuste de alta presión (Ver Fig.L)

### 4. Conector de tapón de botella (KA2588, se vende por separado)

El conector de tapón de botella permite conectar la herramienta directamente a la mayoría de las botellas de 2 litros con aberturas de aproximadamente 1". (NOTA: Es posible que no se pueden conectar todas las botellas de agua natural (con gas) (Ver Fig.M1, M2, M3)

 **ADVERTENCIA:** No instale el conector de tapón de botella hasta que vaya a utilizarlo. Si se conecta una botella con la máquina tumbada sobre una superficie, se producirían fugas de líquido por los puntos de ventilación del accesorio.

### 5. Adaptador rápido pivotante (KA2529, se vende por separado)

El adaptador rápido pivotante permite girar las boquillas de limpieza a presión 180° en cualquier dirección. Resulta ideal para limpiar los espacios de difícil acceso. Es compatible con HYDROSHOT™ y boquilla multifunción. (Ver Fig.O1, O2)

# MANTENIMIENTO

**Antes de empezar cualquier tarea de ajuste, mantenimiento o reparación, debe extraerse la batería de la herramienta.**

Inspeccione si el aparato tiene alguna pieza deteriorada o desgastada antes de cada uso. No utilice el aparato si tiene alguna pieza deteriorada o desgastada. Póngase en contacto con su distribuidor o con el fabricante para obtener piezas de repuesto adecuadas.


## **Mantenimiento del filtro de la manguera**

Extraiga el filtro de la manguera y retire el colador. Lave todas las piezas con agua limpia y luego vuélvalas a montar. (Ver Fig. N1, N2)

## **Mantenimiento del filtro de la pantalla**

Quitar el adaptador de la manguera para llegar al filtro de la pantalla. (Ver Fig. P1, P2) Riéguelo con agua limpia antes de volver a ensamblarse.

**NOTA:** Cuando se vuelva a apretar el adaptador de la manguera, por favor apriételo con seguridad, sino, podría no conducir agua de forma propensa.

 **ADVERTENCIA:** Cualquier otro servicio debe de ser realizado por las representaciones de las entidades autorizadas.


# LIMPIEZA/ALMACENAMIENTO

Antes de guardar el aparato, vacíe completamente el agua del aparato y de la manguera.

Limpie la carcasa de plástico del aparato con un cepillo suave y un paño limpio. No utilice agua, disolventes ni productos de pulido. Almacene la herramienta en un lugar interior, fresco y seco, alejado del alcance de niños. No coloque otros objetos encima de la máquina.

Guarde el aparato y los accesorios en un lugar protegido de las heladas.

# PROTECCIÓN AMBIENTAL

 Los residuos de equipamientos eléctricos y electrónicos no deben depositarse con las basuras domésticas. Se recogen para reciclarse en centros especializados. Consulte las autoridades locales o su distribuidor para obtener información sobre la organización de la recogida.

# SOLUCIÓN DE PROBLEMAS

Problemas	Posibles causas	Acción
El aparato se enciende, pero no succiona agua o la presión no es suficiente.	La boquilla de presión está demasiado por encima de la superficie del agua.	Baje el aparato por debajo de 5 pies/1,5 m.
	El filtro de la manguera está obstruido.	Extraiga el filtro de la manguera y lave las piezas con agua limpia. (Ver Fig. N1, N2)
	La manguera de jardín del usuario no está bien conectada al aparato.	Revise la manguera de jardín y vuélvala a instalar firmemente.
	El adaptador para manguera se suelta. Falta la pantalla filtrante. (Ver Fig. P1, P2)	Apriete firmemente el adaptador para manguera con una llave. Póngase en contacto con un agente de servicio de Kress para obtener una pantalla filtrante.
	La bomba, la manguera u otra pieza se han congelado debido a la temperatura exterior.	Espere a que la bomba, la manguera o la otra pieza se descongelen.
	La manguera está doblada.	Enderece la manguera.
Fugas en la boquilla multifunción.	El patrón de rociado de la boquilla no sale correctamente.	Compruebe que el símbolo del patrón de la boquilla esté alineado con la marca de la herramienta.
	El pasador de fijación de la boquilla multifunción se suelta.	Apriételo con una llave hexagonal.
La presión de salida aumenta bruscamente.	La boquilla multifunción está obstruida.	Sustitúyala por una boquilla multifunción nueva.
Sale agua del aparato después de pararlo.	Quedan restos de agua en la lanza y la bomba después de parar el aparato.	Vacíe completamente los restos de agua antes de guardar el aparato.
No sale detergente por el accesorio de detergente.	Obstrucción en la botella de detergente.	Límpielo con agua limpia.
El aparato no se pone en marcha.	La batería no está bien montada.	Vuelva a instalar la batería.
	La batería está descargada.	Sustituya o recargue la batería.
	La batería está defectuosa.	Cambie la batería.
La presión del aparato no es constante.	Es posible que el aparato aspire aire adicional.	Compruebe la conexión entre el adaptador para manguera y la manguera.
	Está seleccionado un ajuste de baja presión.	No es necesario hacer nada.
El aparato se detiene automáticamente.	La batería está descargada.	Sustituya o recargue la batería.
	La boquilla multifunción está obstruida. Se ha activado la protección eléctrica.	Extraiga la boquilla multifunción y encienda el aparato. Si el aparato funciona con normalidad, instale una boquilla multifunción nueva.

# DECLARACIÓN DE CONFORMIDAD

Los que reciben,  
Positec Germany GmbH  
Postfach 32 02 16, 50796 Cologne, Germany

Declaran que el producto,  
Descripción **Limpiador a batería**  
Modelo **KG633E KG633E.X(6 - denominación de la máquina, representa un limpiador a batería)**  
Funciones **Limpieza y riego**

Cumple con las siguientes Directivas,  
**2006/42/EC**  
**2014/30/EU**  
**2011/65/EU&(EU)2015/863**  
**2000/14/EC modificada por 2005/88/EC**

**2000/14/EC modificada por 2005/88/EC:**  
- Procedimiento de evaluación de la conformidad de acuerdo con **Anexo V**  
- Nivel de presión acústica **86.1 dB**  
- Nivel de intensidad acústica **91.1 dB**

Normativas conformes a  
**EN 60335-1, EN 60335-2-54, EN 62233, EN ISO 3744, EN IEC 55014-1, EN IEC 55014-2, EN IEC 63000**

52

ES

La persona autorizada para componer el archivo técnico,  
**Firma: Marcel Filz**  
**Dirección: Positec Germany GmbH**  
**Postfach 32 02 16, 50796 Cologne, Germany**



2021/12/13  
Allen Ding  
Ingeniero Jefe Adjunto. Pruebas y Certificación  
Positec Technology (China) Co., Ltd.  
18, Dongwang Road, Suzhou Industrial  
Park, Jiangsu 215123, P. R. China

# INHOUDSOPGAVE

Inleiding.....	53
Veiligheidswaarschuwingen.....	54
Onderdelenlijst.....	56
Specificaties.....	56
Assemblage En Bediening.....	57
Onderhoud.....	58
Onderhoud Van Mes.....	59
Problemen oplossen.....	60
Conformiteitverklaring.....	61

## INLEIDING

Beste klant,

Dank u voor het kopen van dit Kress-product. Wij zijn toegewijd aan het ontwikkelen van producten van hoge kwaliteit om aan uw vereisten voor gazon & tuin te voldoen.

Het merk Kress staat synoniem voor service van topkwaliteit. Als u tijdens de levensduur van uw product vragen of zorgen hebt over uw product, neem dan contact op met uw plaats van aankoop of met onze Klantenservice voor ondersteuning.


Wij zijn ervan overtuigd dat u nog jarenlang plezier zult beleven aan het werken met uw Kress-product.

## GEBRUIK VOLGENS BESTEMMING

Dit gereedschap is bestemd voor reinigen en spoelen.

Gebruikers kunnen de elektronische gebruiksaanwijzingen bekijken op <https://www.kress.com/>.

## OORSPRONKELIJKE GEBRUIKSAANWIJZING PRODUCTVEILIGHEID ALGEMENE VEILIGHEIDSWAARSCHUWINGEN

 **WAARSCHUWING!** Lees alle instructies zorgvuldig door. Indien u zich niet aan alle onderstaande instructies houdt, kan dat leiden tot een elektrische schok, brand en/of ernstig letsel.

**Bewaar alle veiligheidsvoorschriften en alle instructies voor toekomstig gebruik.**

- Dit apparaat kan worden gebruikt door personen met een fysieke, motorische of geestelijke beperking of gebrek aan ervaring en kennis, mist ze onder toezicht staan en zijn geïnstrueerd m.b.t. het veilig gebruik van het apparaat en de mogelijke gevaren hiervan. Kinderen mogen niet met het apparaat spelen.
- Het apparaat mag slechts gebruikt worden met de netadapter die bij het

apparaat geleverd wordt.

## Aanvullende veiligheidswaarschuwingen

1. De vloeistof mag niet worden gericht op apparatuur die elektrische componenten bevat
2. Het apparaat mag slechts gebruikt worden met de netadapter die bij het apparaat geleverd wordt.
3. Het apparaat mag niet onbeheerd worden achtergelaten terwijl de stekker in het stopcontact zit.
4. Gebruik het apparaat niet als het is gevallen, als er zichtbare tekenen van beschadiging zijn of als het lekt.
5. Houd het apparaat buiten bereik van kinderen wanneer het is ingeschakeld.

## VEILIGHEIDSINSTRUCTIES VOOR HET ACCUPACK

- a) Batterijcellen en accupacks mogen niet gedemonteerd, geopend of vernietigd worden.
- b) Sluit accupacks niet kort. Bewaar accupacks niet willekeurig in een doos of lade waar ze elkaar kunnen kortsluiten

- of door geleidende voorwerpen kortgesloten kunnen worden.** Houd het accupack op een afstand van andere metalen voorwerpen als paperclips, muntstukken, sleutels, nagels, schroeven en andere kleine metalen voorwerpen die de contacten van de accupack kunnen verbinden. Kortgesloten contacten van accupacks kunnen brandwonden of brand veroorzaken.
- c) Stel accupacks niet bloot aan warmte of vuur. Vermijd opslag in direct zonlicht.**
  - d) Stel accupacks niet bloot aan mechanische schokken.**
  - e) Als een accu lekt dient men voorzichtig te zijn dat de vloeistof niet in contact komt met de huid of de ogen. Als dat toch gebeurt spoelt men de huid onder stromend water en raadpleegt men een arts.**
  - f) Houd batterijcellen en accupacks schoon en droog.**
  - g) Veeg de aansluitingen van het accupack schoon met een droge doek als ze vuil zijn geworden.**
  - h) Accupacks moeten voor gebruik worden opgeladen. Lees de gebruiksaanwijzing voor de juiste laadinstructies.**
  - i) Laat accupacks niet langdurig opladen als ze niet worden gebruikt.**
  - j) Na een lange opslagperiode kan het nodig zijn het accupack enkele keren op te laden en te ontladen voor een optimale prestatie.**
  - k) Laad alleen op met een lader met de technische gegevens van Kress. Gebruik geen andere lader dan de lader die specifiek voor dat doel met de apparatuur is meegeleverd.**
  - l) Gebruikt geen accupack dat niet bedoeld is voor gebruik met deze apparatuur.**
  - m) Houd accupacks buiten het bereik van kinderen.**
  - n) Bewaar de oorspronkelijke instructies van het product voor latere gebruik.**
  - o) Verwijder het batterijpakket uit de apparatuur als het niet in gebruik is.**
  - p) Volg de juiste procedure voor afvalverwijdering na afdanken van dit apparaat.**
  - q) Gebruik geen cellen van verschillende fabrikanten,**

capaciteit, afmetingen  
of typen binnen een  
apparaat.

r) Houd de accu uit de buurt  
van microgolven en hoge  
druk.



Li-Ion



Li-Ion-accu Dit product is uitgerust met een symbool dat 'gescheiden inzameling' aanduidt voor alle accu's. Ze worden dan gerecycled of gedemonteerd om de impact op het milieu te verminderen. Accu's kunnen gevaarlijk zijn voor het milieu en de menselijke gezondheid, omdat ze gevaarlijke stoffen bevatten.

## SYMBOLLEN

	Waarschuwing
	Lees de gebruiksaanwijzing
	Accu's kunnen in de waterkringloop terechtkomen als ze op onjuiste wijze worden weggegooid, wat gevaarlijk kan zijn voor het ecosysteem. Gooi afgedankte accu's niet weg bij het ongesorteerde huishoudelijke afval.
	Niet verbranden
	Verwijder de batterij uit de houder voor alle instel-, service- of onderhoudswerkzaamheden.
	Vergrendelen
	Ontgrendelen
	Afgedankte elektrische producten mogen niet bij het normale huisafval terechtkomen. Breng deze producten waar mogelijk naar een recyclecentrum bij u in de buurt. Vraag de verkoper of de gemeente informatie en advies over het recyclen van elektrische apparatuur.

## ONDERDELENLIJST

1. BLOKKEERKNOP
2. ACCUPACK \*
3. AAN-/UIT-SCHAKELHENDEL
4. SLANGADAPTER
5. HOGEDRUKREINIGER
6. DRUKREINIGINGSLANS
7. MONDSTUKADAPTER
8. MEERVOUDIG SPUITMONDSTUK
9. BEVESTIGING
10. SLANGAANSLUITING
11. SLANGFILTER
12. SLANGKLEM
13. SLANG
14. VLOTTER
15. ZEEPFLES \*
16. BORSTEL \*
17. FILTERSCHERM (ZIE AFB. P2)
18. TURBO-STRAALBUIS \*
19. FLESSENKOPPELSTUK \*
20. LANSVERLENGSTUK \*
21. DRAAIBARE SNELKOPPELADAPTER \*
22. DRAAIBARE SNELKOPPELADAPTER \*
23. KORTE LANS \*

\* Sommige afgebeelde of beschreven toebehoren worden niet meegeleverd.

## TECHNISCHE GEGEVENS

Type KG633E KG633E.X (6 - aanduiding van de installatie, een type door een accu aangedreven reiniger)

	KG633E KG633E.X**
Spanning	20 V  Max***

Druk	25 bar
Nominale druk	22 bar/15 bar
Max waterdebiet	210 L/h
Max. toevoerwaterdruk	6 bar
Aanzuighoogte	Max 1.5m
Watertemperatuur	Max 40°C
Gewicht machine (Kaal gereedschap)	1.8kg

\*\* X = 1-999, A-Z, M1-M9 zijn alleen voor verschillende klanten, er zijn geen veiligheidsgerelateerde wijzigingen tussen deze modellen.

\*\*\* Spanning gemeten zonder belasting. Beginspanning batterij bereikt maximum 20 volt. Nominale spanning is 18 volt.

## AANBEVOLEN BATTERIJEN EN LADERS

Categorie	Typ	Hoedanigheid
20V Accu	KAB02	2.0Ah
20V Laber	KAC02	2.0A

We raden u aan om accessoires te kopen in de winkel waar het gereedschap wordt verkocht. Zie het accessoirepakket voor meer informatie. Winkelpersoneel kan u helpen en adviseren.

## GELUIDSPRODUCTIE

A-gewogen geluidsdruk	$L_{pA}$ : 75.1 dB(A)
A-gewogen geluidsvermogen	$L_{WA}$ : 86.1 dB(A)
$K_{pA}$	3.0 dB(A)
Draag oorbescherming	

## TRILLINGSGEGEVENS

Gewogen trillingswaarde	$a_{11}$ = 0.841 m/s <sup>2</sup> K = 1.5 m/s <sup>2</sup>
-------------------------	---

De aangegeven totale trillingswaarde kan worden gebruikt om het ene gereedschap te vergelijken met het andere, en kan ook worden gebruikt in een voorlopige beoordeling van de blootstelling.

**! WAARSCHUWING:** De trillings emissie waarde tijdens het feitelijke gebruik van dit elektrisch gereedschap kan afwijken van de opgegeven waarde, afhankelijk van de wijze waarop het gereedschap wordt gebruikt, zoals in de volgende voorbeelden: Hoe het gereedschap wordt gebruikt en welk materiaal wordt gesneden of geboord. Of het gereedschap in goede staat verkeerd en correct wordt onderhouden. Gebruik van de juiste toebehoren voor het gereedschap en of deze scherp zijn en in goede staat verkeren. De stevigheid van de grip op de handgrepen en het eventuele gebruik van antivibratie- accessoires. En of het gereedschap wordt gebruikt waarvoor het ontworpen is en in overeenstemming met deze instructies.

**Dit gereedschap kan een trillingsyndroom in de handen en armen veroorzaken als het niet op de juiste wijze gehanteerd wordt.**

**! WAARSCHUWING:** Voor de nauwkeurigheid moet bij een schatting van het blootstellingsniveau in de feitelijke gebruiksomstandigheden rekening worden gehouden met alle delen van de bedrijfscyclus, zoals het moment waarop het gereedschap wordt uitgeschakeld en terwijl het gereedschap in werking is zonder daadwerkelijk gebruikt te worden. Dit kan het blootstellingsniveau over de totale werkperiode aanzienlijk verminderen. Help de blootstelling aan trillingen te minimaliseren. Gebruik ALTIJD scherpe beitels, boren en messen. Onderhoud het gereedschap in overeenstemming met deze instructies en houd het goed gesmeerd (indien van toepassing). Schaf antivibratie- accessoires aan wanneer u het gereedschap geregeld gebruikt. Plan de werkzaamheden zodat de taken met veel trillingen over een aantal dagen verspreid worden.

## ASSEMBLAGE EN BEDIENING



**OPMERKING:** lees het instructieboekje aandachtig voor gebruik van het gereedschap.

### VOOR GEBRUIK

**De accu installeren (Zie afb.A1)**

**De accu verwijderen (Zie afb.A2)**

**De toestand van de accu controleren (Zie afb.A3)**

**OPMERKING:** Fig. A3 is alleen geschikt voor het accupack met indicatielampje voor de accu.

**De toestand van de accu controleren (Zie**

## afb.A4)

U vindt meer gedetailleerde informatie in de handleiding voor het laadapparaat

## MONTAGE

### Bedrijfsmodus 1 (Zie afb.B1)

Aansluiten van de drukreinigingslans op de drukaansluiting

**OPMERKING:** De hogedrukreiniger heeft drie werkingsmodi: alleen drukreinigingslans, alleen korte lans en korte lans in combinatie met lansverlengstuk.

### Bedrijfsmodus 2 (Zie afb.B2)

Bevestigen van de korte lans aan de hogedrukreiniger

### Bedrijfsmodus 3 (Zie afb.B3, B4)

Bevestigen van het lansverlengstuk aan de hogedrukreiniger.

Bevestigen van de korte lans aan het lansverlengstuk.


### Bevestigen van het meervoudig spuitmondstuk (Zie afb.C)

**OPMERKING:** Bij het bevestigen, het mondstuk linksom en rechtsom draaien om te controleren of het mondstuk goed vastzit en eraan trekken om te controleren of het veilig is vergrendeld.

### Bevestigen van de slang aan de hogedrukreiniger (Zie afb.D1, D2, D3)

**OPMERKING:** Nadat de slang is bevestigd, de aansluiting controleren door het voorzichtig trekken aan de slang. De slang mag niet loskomen.

## BEDIENING

 **WAARSCHUWING:** De meegeleverde batterij is niet waterbestendig. Om een defecte batterij te vermijden, moet u de batterij tegen water beschermen. Sla het gereedschap en de batterij na gebruik op een droge plaats op.

### Begin (Zie afb.E1, E2, E3)


**OPMERKING:** Bij ingebruikname of na een lange opslagperiode wordt het aanbevolen om de kraan te bevestigen of water in de slangtule te gieten met de machine ingeschakeld zodat alle lucht wordt afgevoerd. Start niet met werken totdat het water volledig door de slang is gegaan en uit de slang spuit.

### Kiezen van het spuitmondpatroon (Zie afb.F)

**OPMERKING:** Spuitpatronen 0°, 15°, 25° en 40° zijn beschikbaar voor het reinigen en het spuitpatroon met het symbool  is het meest geschikt voor het bewateren.

 **WAARSCHUWING:** Wissel het spuitpatroon niet bij ingeschakeld apparaat.

### Reiniging (Zie afb.G, H)

 **WAARSCHUWING:** Sluit de machine niet aan op waterbronnen die vies, roestig, modderig of corrosief zijn (inbegrepen reinigingsmiddelen voor ruiten, plantenvoedsel en kunstmest etc.). **OPMERKING:** Wordt zeewater gebruikt, moet het product worden gereinigd en gebruikt met vers water, voor een langere levensduur van de machine.

### Watering (Zie afb.I)

## BEVESTIGEN VAN ACCESSOIRES

Bij dit product worden een aantal accessoires geleverd, die nodig zijn bij verschillende toepassingen. **Probeer niet te reinigen zonder een lans of een bevestigd accessoire.**

#### 1. Zeepfles (KA2563, wordt los verkocht)

De zeepfles levert reinigingsmiddel voor diepreinigen van vuil. Deze wordt gebruikt in combinatie met de hogedrukreiniger. (Zie afb. J1, J2)

**OPMERKING:** Als u een zeepfles gebruikt, verbindt u de machine met water.

#### 2. Borstsel (KA2510, wordt los verkocht)

De borstel is voor het reinigen van voertuigen, boten, motoren, etc. Deze wordt gebruikt in combinatie met de hogedrukreiniger. (Zie afb. K1, K2)

#### 3. Turbo nozzle (KA2527, wordt los verkocht)

De turbo-straalpijp sproeit water over 360°, zodat een groter gebied gereinigd worden dan het waterpatroon over 0° in hetzelfde tijdsbestek. Aanbevolen om te gebruiken met hogedrukinstelling (Zie afb. L)

#### 4. Bottle cap connector (KA2588, wordt los verkocht)

De flessenconnector maakt het mogelijk om het gereedschap direct aan te sluiten op de meeste tweeliterflessen met openingen van ca. 1". **(OPMERKING:** Past mogelijk niet op alle spuitwateren waterflessen) (Zie afb. M1, M2, M3)

**WAARSCHUWING:** Monteer het flessenkoppelstuk niet vóórdat het gereed is om te worden gebruikt. De openingen in het accessoire lekken vloeistof als er een fles gemonteerd is en de machine op een oppervlak ligt.

#### 5. Pivoting Quick Connect Adapter (KA2529, wordt los verkocht)

De draaibare snelkoppeladapter maakt het mogelijk spuitmonden van hogedrukreinigers volledig tot max. 180° in elke richting in te stellen. Ideaal voor reinigen rondom moeilijk te bereiken zones. Geschikt voor de HYDROSHOT™-hogedrukreiniger en meervoudig spuitmondstuk. (Zie afb. O1, O2)

## ONDERHOUD

Verwijder de batterij uit de houder voor alle

### **instel-, service- of onderhoudswerkzaamheden.**

Inspecteer het apparaat voor elk gebruik op beschadigde of versleten onderdelen.

Gebruik het niet met beschadigde of versleten onderdelen.

Neem contact op met uw leverancier of de fabrikant voor reserveonderdelen.

#### **Slangfilteronderhoud**

Verwijder het slangfilter van de slang en verwijder de zeef. Reinig de onderdelen met schoon water voor het weer samenbouwen. (Zie afb. N1, N2)

#### **Onderhoud filterschermen**

Verwijder de slangadapter om het filter te verkrijgen. (Zie afb. P1, P2) Spoel het af met water voordat u het weer in elkaar zet.


**OPMERKING:** Draai de slangadapter vast wanneer u hem opnieuw aandraait. Anders kunt u mogelijk geen water extraheren voor normaal gebruik.

 **WAARSCHUWING:** Alle andere services moeten worden uitgevoerd door een geautoriseerde servicevertegenwoordiger.

## **REINIGEN/OPSLAG**

Voor het opbergen alle water aftappen uit het apparaat en de slang. Reinig de kunststof-spuitgietbehuizing van het apparaat met een zachte borstel en een schone doek. Gebruik geen water, reinigingsmiddelen of schuurmiddelen. Bewaar altijd op een veilige, droge plaats uit het bereik van kinderen. Plaats geen andere objecten op de machine. Het apparaat en de accessoires opslaan op een vorstvrije locatie.

## **BESCHERMING VAN HET MILIEU**

 Afgedankte elektrische producten kunt u niet met het normale huisafval weggooien. Breng deze producten, indien mogelijk, naar een recyclecentrum bij u in de buurt. Vraag de verkoper of de gemeente naar informatie en advies over het recyclen van elektrische producten.

# PROBLEMEN OPLOSSEN

Problemen	Mogelijke oorzaken	Oplossing
Machine schakelt in, maar trekt geen water of er is onvoldoende druk.	Mondstuk is te ver van waterbron.	Laat de machine onder 5ft/1,5m zakken.
	Filter geblokkeerd.	Verwijder het filter en spoel de onderdelen met schoon water. (Zie afb. N1, N2)
	De tuinslang van de gebruiker is niet goed aangesloten op de machine.	Controleer de tuinslang en bevestig deze opnieuw.
	Slangadapter zit los.	Maak de slangadapter goed vast.
	Filterscherm ontbreekt. (Zie afb. P1, P2)	Neem contact op met Kress om het filterscherm te vervangen.
	De pomp, slang of andere onderdelen zijn bevroren.	Wacht totdat de pomp, slang of andere onderdelen zijn ontdooid.
Het mondstuk lekt.	Knik in de slang.	Verwijder de knikken.
	Het patroon van het mondstuk sproeit niet correct.	Zorg dat het symbool van het mondstuk met de markering op het gereedschap wordt uitgelijnd.
Druk wordt plotseling verhoogd.	Bevestiging zit los.	Aanspannen met moersleutel.
Na het stoppen, komt er water uit de machine.	Mondstuk geblokkeerd.	Vervangen door nieuw mondstuk.
Uit het toebehoren voor zeep komt er geen detergent.	Er zit nog water in de slang en de pomp nadat deze werd gestopt.	Voor het opslaan het water aftappen.
Machine start niet.	Blokkering in de zeepfles.	Schoonmaken met water.
	Accupack zit los.	Accupack opnieuw plaatsen.
	Accupack leeg.	Vervangen door nieuw accupack of accupack opladen.
Druk van machine is niet consistent.	Batterij defect.	Vervang de batterij.
	Lucht in de machine gezogen.	Verbinding tussen slangadapter en slang controleren.
Machine stopt automatisch.	Staat op de instelling Lage druk.	Geen actie vereist.
	Accupack leeg.	Vervangen door nieuw accupack of accupack opladen.
	Mondstuk geblokkeerd. Stroombeveiliging geactiveerd.	Verwijder het mondstuk en schakel de machine in. As de machine normaal werkt, mondstuk vervangen.

# CONFORMITEITVERKLARING

Wij,  
Positec Germany GmbH  
Postfach 32 02 16, 50796 Cologne, Germany

Verklaren dat het product,  
Beschrijving **Door een accu aangedreven reiniger**  
Type **KG633E KG633E.X (6 - aanduiding van het**  
**apparaat, een type door een accu aangedreven**  
**reiniger**  
Functie **Reinigen en spoelen**

Voldoet aan de volgende richtlijnen,  
**2006/42/EC**  
**2014/30/EU**  
**2011/65/EU&(EU)2015/863**  
**2000/14/EC gewijzigd door 2005/88/EC**

2000/14/EC gewijzigd door 2005/88/EC:  
- Procedure beoordeling conformiteit volgens  
**Annex V**  
- Niveau gemeten geluidsvermogen **86.1dB**  
- Opgegeven, gegarandeerde niveau  
geluidsvermogen **91.1dB**

Normen voldoen aan,  
**EN 60335-1, EN 60335-2-54, EN 62233, EN ISO**  
**3744, EN IEC 55014-1, EN IEC 55014-2, EN IEC**  
**63000**

De persoon die bevoegd is om het technische  
bestand te compileren,  
**Naam: Marcel Filz**  
**Adres: Positec Germany GmbH**  
**Postfach 32 02 16, 50796 Cologne, Germany**



2021/12/13  
Allen Ding  
Plaatsvervangend Chief Ingenieur, Testen en  
Certificering  
Positec Technology (China) Co., Ltd.  
18, Dongwang Road, Suzhou Industrial  
Park, Jiangsu 215123, P. R. China

# INDHOLDSFORTEGNELSE

Introduktion.....	62
Sikkerhedsinstruktioner.....	63
Lista De Componentes.....	65
Specifikationer.....	65
Samling og drift.....	66
Vedligeholdelse.....	67
Miljøbeskyttelse.....	67
Fejlfinding.....	68
Declaração De Conformidade.....	69

---

## INTRODUKTION

62

DK Kære kunde,

Tak, fordi du købte dette Kress-produkt. Vi har specialiseret os i at udvikle produkter af høj kvalitet, der dækker dine krav til din plæne og din have.

Kress-mærket står for service af førsteklasses kvalitet. Bed din lokale sælger eller vores kundeserviceteam om hjælp, hvis du har spørgsmål om eller problemer med produktet i dets levetid.

Vi er overbeviste om, at du vil nyde at bruge dit Kress-produkt i de kommende år.

## BEREGNET ANVENDELSE

Dette værktøj er tiltænkt anvendelse til rengøring og vanding.

**Brugere kan se den elektroniske vejledning på <https://www.kress.com/>**

## **ORIGINAL BRUGSANVISNING PRODUKTSIKKERHED GENERELLE SIKKERHEDSINSTRUKSER**

 **ADVARSEL: Læs alle sikkerhedsadvarsler og alle instruktioner.** Læs samtlige anvisninger. Manglende overholdelse af nedenstående anvisninger kan resultere i elektrisk stød, brand og/eller alvorlig personskade.

**Gem alle advarsler og instruktioner for fremtidig reference.**

- Dette udstyr kan anvendes af personer med fysiske, sensoriske eller mentale nedsættelser eller manglende evner og kendskab, hvis de er under supervision eller gives instruktioner om anvendelse af udstyret på sikker måde og forstår de involverede farer. Børn må ikke lege med apparatet.
- Apparatet må kun anvendes med strømforsyningsenheden leveret med apparatet.

### **VIGTIGE SIKKERHEDSANVISNINGER**

1. Væske må ikke rettes mod udstyr, der indeholder elektriske komponenter.
2. Fjern eller frakoble

batterisættet efter brug og før der udføres vedligeholdelse på udstyret.

3. Apparatet må ikke efterlades uden opsyn, mens det er tilsluttet netforsyningen.
4. Apparatet må ikke anvendes, hvis det har været tabt, hvis der er synlige tegn på skader, eller hvis det er utæt.
5. Hold apparatet uden for børns rækkevidde, når det aktiveres eller nedkøles.

### **BATTERISIKKERHED SIKKERHEDSFORSKRIFTER TIL BATTERISÆT**

**a) Sekundærelementer eller batterisæt må ikke skilles ad, åbnes eller knuses.**

**b) Et batterisæt må ikke kortsluttes. Batterisæt må ikke opbevares lemfædigt i en kasse eller skuffe, hvor de kan kortslutte hinanden eller kortsluttes af ledende genstande.** Når batterisættet ikke er i brug, skal det holdes væk fra andre metalgenstande, såsom papirclips, mønter, nøgler, søm, skruer eller andre små metalgenstande, der kan skabe en forbindelse fra en pol til en anden, Kortslutning af batteripoler kan medføre forbrændinger eller brand.

**c) Batterisæt må ikke udsættes for varme eller ild. Må ikke opbevares i**

direkte sollys.

- d) Batterisæt må ikke udsættes for mekaniske stød.
- e) I tilfælde af at et batteri lækker, må væsken ikke komme i kontakt med huden eller øjne. Hvis der er sket kontakt, skal det berørte område vaskes med rigelige mængder vand, hvorefter der søges lægehjælp.
- f) Opbevar batterisæt på et rent og tørt sted.
- g) Aftør batterisættets poler med en tør klud, hvis de bliver snavsede.
- h) Batterisæt skal oplades før anvendelsen. Anvend altid den korrekte oplader, og læs producentens anvisninger eller brugervejledning for, hvordan batterierne oplades korrekt.
- i) Et batterisæt må ikke efterlades til opladning i længere tid, hvis det ikke anvendes.
- j) Efter længere opbevaringsperioder kan det være nødvendigt at oplade eller aflade batterisættet flere gange for at op den optimale ydelse.
- k) Genoplad kun med laderen specificeret af Kress.

Anvend ingen anden oplader end den, der specifikt er beregnet til brug med udstyret.

- l) Brug kun det korrekte batteri til udstyret.
- m) Batterisættet skal opbevares utilgængeligt for børn.
- n) Opbevar den originale produktliteratur til fremtidig brug.
- o) Batterisættet skal fjernes fra udstyret, når det ikke er i brug.
- p) Bortskaffes på en miljørigtig måde.
- q) Bland ikke batterier af forskellig fremstilling, kapacitet, størrelse eller type i enheden.
- r) Hold batteriet væk fra mikrobølgeovne og højt tryk.

## SÍMBOLOS

	ADVARSEL
	Læs brugsanvisningen
	Må ikke udsættes for regn eller vand.
	Må ikke brændes

	Fjern batteriet fra soklen før justering, vedligeholdelse eller brug.
	Lås op
	Lås
	Affald af elektriske produkter må ikke bortskaffes sammen med husholdningsaffald. Indlever så vidt muligt produktet til genbrug. Kontakt de lokale myndigheder eller forhandleren, hvis du er i tvivl.
	Batterier må ikke kastes bort. Returner brugte batterier til dit lokale indsamlings- eller genbrugssted. Li-Ion

## LISTA DE COMPONENTES

1. LÅSEKONTAKT
2. BATTERIPAKKE \*
3. TÆND/SLUK KONTAKT
4. SLANGEADAPTER
5. STRÅLEDYSE
6. HØJTRYKS LANSE
7. DYSEADAPTER
8. MULTI-SPRAY DYSE
9. SLANGKOBLING
10. SLANGEFORLÆNGER
11. SLANGEFILTER
12. SLANGECLIPS
13. SLANGE
14. FLYDER
15. SÆBEFLASKE \*
16. BØRSTE \*
17. FILTERSKÆRM (SE FIG. P2)
18. TURBO DYSE \*

### 19. FLASKETILSLUTNING

### 20. FORLÆNGERRØR \*

### 21. FLEXIBEL LYNKOBLING \*

### 22. LYNKOBLING\*

### 23. KORT LANSE\*

\* Acessórios ilustrados ou descritos não estão totalmente abrangidos no fornecimento.

## FORESLÅEDE BATTERIER OG OPLADERE

Kategori	typen	Kapacitet
20V batteri	KAB02	2.0 Ah
20V oplader	KAC02	2.0 A

Vi anbefaler, at du køber tilbehør fra den butik, hvor værktøjet sælges. Se tilbehørspakken for flere detaljer. Butikspersonale kan hjælpe og rådgive dig.

## DADOS TÉCNICOS

Typo: **KG633E KG633E.X** (6-klassificeret som maskiner, repræsenteret ved batteridrevet afvasker)

	KG633E KG633E.X**
Spænding	20 V  Max***
Max tryk	25 bar
Arbejds tryk	22 bar/15 bar
Maks. vand strømningshastighed	210 L/h
Maks. vandtryk ved indløb	6 bar
Sugehøjde	Max 1.5m
Vand temperatur	Max 40°C
Maskinens vægt (med rør)	1.8kg

\*\* X = 1-999, A-Z, M1-M9 er kun til forskellige kunder, der er ingen sikkerhedsrelaterede ændringer mellem disse modeller

\*\*\* Spændingen er målt uden arbejdsbelastning. Den indledende batterispænding når maksimalt op på 20 volt. Nominal spænding er 18 volt.

## STØJINFORMATION

A-vægtet lydtryksniveau	$L_{pA}$ : 75.1 dB(A)
A-vægtet lydeffektniveau	$L_{WA}$ : 86.1 dB(A)
$K_{pA}$	3.0 dB(A)



## VIBRATIONSINFORMATION

Typisk vægtet vibration

$$a_{hv} = 0.841 \text{ m/s}^2$$

$$k = 1.5 \text{ m/s}^2$$

Den erklærede samlede vibrationsstyrke kan bruges til at sammenligne et værktøj med et andet, og kan også bruges til en foreløbig vurdering af eksponeringen.

**ADVARSEL:** Vibrationsværdien under den faktiske brug af maskinværktøjet kan afvige fra den opgivne værdi afhængigt af måderne, værktøjet benyttes på. Se følgende eksempler på, hvad vibrationerne kan afhænge af: Hvordan værktøjet bruges og materialerne, der skæres eller bores i.

Værktøjets stand og vedligeholdelse.

Anvendelse af korrekt tilbehør og kontrol med, at det er skarpt og i en i det hele taget god tilstand.

Hvor kraftigt, der holdes fast i håndtaget og, om der benyttes antivibrationsudstyr.

Om værktøjet anvendes i henhold til dets konstruktion og nærværende anvisninger.

**Værktøjet kan medføre et hånd/arm-vibrationsyndrom, hvis det ikke bruges på rigtig måde.**

**ADVARSEL:** En vurdering af udsættelsesgraden under det aktuelle brug skal omfatte alle dele af arbejds cyklussen, herunder antallet af gange værktøjet slås til og fra, og tomgangsdriften uden for selve arbejdsopgaven. Dette kan afgørende reducere udsættelsesniveauet i den samlede arbejdsperiode. Sådan kan du minimere risikoen for udsættelse for vibrationer:

Brug ALTID skarpe mejsler, bor og blade.

Vedligehold værktøjet i overensstemmelse med disse instruktioner og hold det korrekt smurt (hvor det er nødvendigt).

Hvis værktøjet bruges ofte, bør du anskaffe antivibrationsudstyr.

Planlæg dit arbejde, så du kan fordele arbejde med kraftige vibrationer over flere dage.

## MONTERING OG DRIFT



**NOTER:** Før du bruger dette værktøj, læs instruktionsbogen omhyggeligt.

### FØR BRUG

**Installation af batteriet (Se Fig. A1)**

**Udtagning af batteriet (Se Fig. A2)**

**Kontrollering af batteriets tilstand (Se Fig. A3)**

**Noter:** Fig. A3 Gælder kun for batteripakke med lysindikator.

### Opladning af batteriet (Se Fig. A4)

Flere oplysninger kan findes i vejledningen til opladeren

## MONTERING

### Arbejdstilstand 1(Se Fig. B1)

Monter højtryks lansen til højtryksdysen.

**NOTE:** Kraftdysen har tre arbejdstilstande: kun trykreuserlanse, kun kort lanse og kort lanse brugt sammen med forlængerlanse.

### Arbejdstilstand 2 (Se Fig. B2)

Fastgørelse af kort lanse til kraftmundstykket

### Arbejdstilstand 3 (Se Fig. B3, B4)

Montering af forlængerlanse til strømmundstykket  
Fastgørelse af kort lanse til forlængerlansen

### Tilslutning af multi-spray dysen (Se Fig. C)

**BEMÆRK:** Når det tilsluttes, drej dysen til venstre og højre for at sikre, at dysen er helt i position og træk forsigtigt i den for at sørge for, at den er låst sikkert fast i positionen.

### Tilslutning af slangen til trykdysen (Se Fig. D1, D2 , D3)


**BEMÆRK:** Når slangen tilsluttes, kontrollér forbindelsen forsigtigt ved at trække i slangen. Den skal ikke kunne trækkes af.

## DRIFT

**ADVARSEL:** Det leverede batteri er ikke vandtæt. For at undgå risiko for at batteriet svigter, skal det beskyttes mod vandpåvirkning ved brug. Opbevar værktøjet og batteriet på et tørt sted efter brug.  
**Start(Se Fig. E1,E2,E3)**


**BEMÆRK:** Ved første brug eller efter langvarig opbevaring, anbefales det at fastgøre vandhanen eller sprøjte vand i slangeadapteren med maskinen tændt, så den tømmes for luft. Påbegynd ikke arbejdet, før vandet går op langs slangen og sprøjter ud.

### Vælg et dysemønster (Se Fig. F)

**BEMÆRK:** Vælg en egnet dysemønster i forhold til arbejdet. Spraymønstrene 0°, 15°, 25° og 40° er egnet til rengøring og spraymønsteret med symbolet  er velegnet til vanding.

**ADVARSEL:** Skift ikke dysemønster, mens værktøjet er tændt.

### Rengøring (Se Fig. G,H)

 **ADVARSEL:** Tilslut ikke maskinen til vandforsyninger der er snavsede, rustne, mudrede eller tærede. (Herunder rengøringsvæsker til vinduer, plantegødning eller kunstgødning osv.)

**BEMÆRK:** Hvis der bruges havvand, skal produktet efterfølgende skylles igennem og renses med ferskvand for at forlænge maskinens levetid.

Vanding(Se Fig. I)

## TILSLUTNING AF TILBEHØR

Der medleveres en del tilbehør med dette produkt til anvendelse til forskellige applikationer. **Forsøg ikke at rengøre uden brug af røret eller uden tilbehør tilkøbt**

### 1. Sæbeflaske (KA2563, sælges separat)

Sæbeflasken opbevarer rengøringsmiddel til grundigere rengøring af snavs. Den anvendes sammen med trykdysen eller med forlængerrøret.(Se Fig. J1, J2)

**BEMÆRK:** Hold maskinen tilsluttet til konstant vand når sæbe flasken er i brug.

### 2. Børste (KA2510, sælges separat)


Børsten er til rengøring af biler, både, motorcykler etc. Den anvendes sammen med trykdysen eller med forlængerrøret. (Se Fig.K1, K2)

### 3. Turbo dyse (KA2527, sælges separat)

Turbo dysen giver 360° roterende vand, der renser et større område end 0° vandmønsteret i den samme tid. Det anbefales at bruge den med højt tryk (Se Fig.L)

### 4. Flasketilslutning (KA2588, sælges separat)

Tilbehøret til tilslutningen til flaskens kapsel gør det muligt at tilslutte tilbehøret direkte til de fleste 2-liters flasker med en åbning på ca. 1". (BEMÆRK: Passer måske ikke til alle forbrugssodavands- eller vandflasker) (Se Fig.M1, M2, M3)

 **ADVARSEL:** Foretag ikke tilslutningen, før den skal anvendes. Anordningen vil lække væske, hvis der installeres en flaske, når maskinen ligger på en overflade.

### 5. Flexibel lynkobling (KA2529, sælges separat)

Den flexibel lynkobling tillader at rengørings hovederne er fuldt ud justerbar op til 180° i alle retninger. Hvilket gør det ideelt at rengøre svært tilgængelige områder. Brugbar til HYDROSHOT™ højtryks renser og multi-spray dyse. (Se Fig.O1, O2)

leverandør eller producenten for reservedele.

### Vedligeholdelse af slangefilter

Fjern slangefilteret fra slangen og tag sien ud. Skyl delene i rent vand, før de monteres igen. (Se Fig. N1, N2)

### Vedligeholdelse af filterkasse

Fjern slangekoblingen for at komme til filterkassen. (Se Fig. P1, P2) Rens med rent vand før den monteres igen.


**BEMÆRK:** Slangekoblingen skal påmonteres med forsigtighed. Ellers kan der opstå problemer med fremtidig vandtilførsel.

 **ADVARSEL:** Alt andet service skal laves af autoriseret servicepartner.

## RENGØRING/OPBEVARING

Før opbevaring skal alt vand drænes fra maskine og slange.Rengør maskinens plasthus ved hjælp af en blød børste og en ren klud. Anvend ikke vand, rengøringsmiddel eller polish. Opbevar den på et tørt sted uden for børns rækkevidde. Placer ikke andre objekter på toppen af maskinen.Opbevar maskinen og tilbehøret frostfrit.

## MILJØBESKYTTELSE

 Elektrisk affald må ikke smides ud sammen med dit almindelige husholdningsaffald.

■ Du bedes venligst genbruge affaldet hvis muligt. Forhør dig hos din lokale kommune eller din forhandler vedrørende genbrug.

## VEDLIGEHOLDELSE

Fjern batterienheden, før du udfører justeringen.

De produktet efter for beskadigelse og slidte dele, hver gang den skal anvendes. Anvend den ikke, hvis du finder beskadigelser eller slidte dele. Kontakt vore

# FEJLFINDING

Problem	Mulig årsag	Mulig løsning
Maskinen kører, men den trækker ikke vand eller der er ikke tilstrækkeligt tryk.	Trykdysen sidder for højt i forhold til vandets overflade.	Sænk maskinen til 5ft/1,5m.
	Slangefilteret er blokeret.	Tag slangefilteret ud og rens delene med rent vand. (Se Fig. N1, N2)
	Brugerens haveslange er ikke korrekt forbundet til maskinen.	Kontroller og genmonter haveslangen stramt.
	Slangeadapteren er løs. Filterskærmen mangler. (Se Fig. P1,P2)	Stram slangeadapteren med en skrueøgle. Kontakt Kress servicerepræsentant for at få en filterskærm.
	Pumpe, slange eller andre dele er frosset på grund af temperaturen udenfor.	Vent på at pumpe, slange eller andre dele tør op.
	Slangen er knækket.	Ret slangen ud.
Multi-spray dysen lækker.	Dysemønstret sprayer ikke korrekt.	Sørg for, at dysemønstersymbolet er justeret med indikatormærket på værktøjet.
	Fastgøringssømmet i multi-spray dysen er løs.	Stram den med en unbrakøbgle.
Udgangstrykket forøges pludselig.	Multi-spray dysen er blokeret.	Udskift med en ny multi-spray dyse.
Maskinen dræner vandet efter den er standset.	Der er vand tilbage i forlængerrør og pumpe efter standsning.	Dræn alt vand helt væk før opbevaring.
Sæbetilbehøret kan ikke spraye opløsningsmidlet ud.	Blokering af sæbeflaske.	Rengør den med friskt vand.
Maskinen starter ikke.	Batteriet er ikke monteret korrekt.	Genmonter batteriet.
	Batteriet er fladt.	Udskift med et nyt batteri eller genoplad batteriet.
	Ødelagt batteri.	Skift batteriet.
Maskintrykket er ikke konstant.	Der suges yderligere luft ind i maskinen.	Kontroller forbindelsen mellem slangeadapteren og slangen.
	Den er indstillet til lavt tryk.	Ingen handling nødvendig.
Maskinen standser automatisk.	Batteriet er tomt.	Udskift med et nyt batteri eller genoplad batteriet.
	Multi-spray dysen er blokeret. Fejlspændingssikring er aktiveret.	Fjern multi-spray dysen og tænd maskinen. Hvis maskinen kører normal, udskift med en ny multi-spray dyse.
Maskinen absorberer ikke vand efter opbevaring i lang tid.	Anden luft kan trækkes ind i maskinen.	Tilslut maskinen til vandkilden, og tænd den.

# KONFORMITETSERKLÆRING

Vi,  
Positec Germany GmbH  
Postfach 320216, 50796 Cologne, Germany

Erklærer herved, at produktet  
Beskrivelse **Batteridrevet afvasker**  
Type **KG633E KG633E.X (6 - klassificeret som  
maskiner, repræsenteret ved batteridrevet  
afvasker)**  
Funktion **Rengøring og vanding**

Er i overensstemmelse med følgende direktiver:  
**2006/42/EC, 2014/30/EU, 2011/65/  
EU&(EU)2015/863, 2000/14/EC ændret ved  
2005/88/EC**

2000/14/EC ændret ved 2005/88/EC:  
- Konformitetstestprocedure pr. **Anneks V**  
- Målt niveau for lydeffekt **86.1dB**  
- Deklareret garanteret niveau for lydeffekt **91.1dB**

Standarder i overensstemmelse med:  
**EN 60335-1, EN 60335-2-54, EN 62233, EN ISO  
3744, EN IEC 55014-1, EN IEC 55014-2, EN IEC  
63000**

Personen, autoriseret til at udarbejde den tekniske fil,  
**Navn: Marcel Filz**  
**Adresse: Positec Germany GmbH**  
**Postfach 32 02 16, 50796 Cologne, Germany**

69

DK



2021/12/13  
Allen Ding  
Vicechef; Ingeniør, Test & Certificering  
Positec Technology (China) Co., Ltd  
18, Dongwang Road, Suzhou Industrial  
Park, Jiangsu 215123, P. R. China

# СОДЕРЖАНИЕ

Введение.....	70
техники безопасности.....	71
Список Компоненов.....	73
Характеристики.....	74
Сборка и работа.....	75
Техническое Обслуживание.....	76
Охрана Окружающей Среды.....	76
Выявление И Устранение Неисправностей.....	77
Декларация Соответствия.....	78

---

## ВВЕДЕНИЕ

Уважаемый покупатель!

Благодарим вас за приобретение продукции Kress. Мы специализируемся на разработке высококачественной продукции ухода за газонами и садами согласно запросам клиентов.

Торговая марка Kress является синонимом премиального качества. На протяжении всего многолетнего срока службы при возникновении вопросов или проблем, пожалуйста, обращайтесь за помощью по месту приобретения или в нашу службу технической поддержки.


Мы уверены, что в течение следующих лет эксплуатации продукция Kress принесет вам много удовольствия в работе.

## ПРИМЕНЕНИЕ ПО НАЗНАЧЕНИЮ

Этот инструмент предназначен для очистки и полива.

**Пользователи могут просматривать электронные инструкции по адресу: <https://www.kress.com/>.**

## **ОРИГИНАЛЬНЫЕ ИНСТРУКЦИИ ОБЩИЕ ПРАВИЛА ТЕХНИКИ БЕЗОПАСНОСТИ**

 **ПРЕДУПРЕЖДЕНИЕ:**  
**Прочтите все предупреждения о безопасности и все инструкции.** Несоблюдение предупреждений и инструкций может привести к поражению электрическим током, воспламенению и / или серьезной травме.

**Сохраните все предупреждения и инструкции для дальнейшего использования.**

- Данное устройство может использоваться лицами с ограниченными физическими и умственными способностями или отсутствием опыта и знаний, если им был предоставлен надзор или инструкция прибора.
- Дети не должны играть с инструментом.
- Прибор должен использоваться только с блоком питания, поставляемым с прибором.

## **Дополнительные предупреждения о безопасности**

1. Жидкость не должна быть направлена на оборудование, содержащее электрические компоненты.
2. Снимите или отсоедините аккумуляторную батарею после использования и перед проведением обслуживания.
3. Инструмент не должен оставаться без присмотра при подключенной батарее.
4. Устройство не должно использоваться, если его уронили, есть видимые признаки повреждения или если есть утечка.
5. Храните прибор в недоступном для детей месте, когда он находится под напряжением.

## **ПРАВИЛА ТЕХНИКИ БЕЗОПАСНОСТИ ДЛЯ АККУМУЛЯТОРНОЙ БАТАРЕИ**

- а) Не разбирайте, не открывайте ячейки или батарейный блок.**
- б) Не замыкайте аккумуляторную батарею. Не храните беспорядочно аккумуляторы в коробке или ящике, где они могут замыкаться друг с другом или быть закорочены проводящими**

**материалами.** Когда аккумулятор не используется, держите его подальше от других металлических предметов, таких как скрепки, монеты, ключи, гвозди, винты или другие мелкие металлические предметы, которые могут замкнуть контакты. Замыкание контактов аккумулятора может привести к ожогам или пожару.

- с) Не подвергайте аккумуляторную батарею воздействию тепла или огня. Избегайте попадания прямых солнечных лучей.**
- d) Не подвергайте аккумуляторную батарею механическим ударам.**
- e) В случае протекания батареи не допускайте контакта жидкости с кожей или глазами. Если жидкость контактировала с телом, промойте пораженный участок обильным количеством воды и обратитесь за медицинской помощью.**
- f) Держите аккумулятор в чистоте и сухом**

**состоянии.**

- g) Протрите клеммы аккумуляторной батареи чистой сухой тканью, если они загрязнились.**
- h) Перед использованием батареи ее необходимо зарядить. Всегда обращайтесь к этой инструкции и используйте правильную процедуру зарядки.**
- i) Не храните аккумулятор в зарядном устройстве, когда он не используется.**
- j) После продолжительных периодов хранения может потребоваться несколько раз зарядить и разрядить аккумуляторную батарею, чтобы получить максимальную производительность.**
- k) Перезаряжайте только зарядным устройством, одобренным Kress. Не используйте зарядное устройство, отличное от того, которое специально предназначено для использования с оборудованием.**
- l) Не используйте батарейный**

**блок, который не предназначен для использования с оборудованием.**

**m) Храните аккумулятор в недоступном для детей месте.**


**n) Сохраните оригинальную литературу по продуктам для дальнейшего использования.**

**o) Извлеките аккумулятор из оборудования, если он не используется.**



**p) Утилизируйте надлежащим образом.**

**q) Не используйте с устройством элементы разного производства, емкости, размера или типа.**

**r) Держите батарею подальше от микроволновых печей и высокого давления.**

	<p>При неправильной утилизации батареи могут попасть в круговорот воды в природе, что может быть опасным для экосистемы. Запрещается утилизировать использованные батареи как несортированные бытовые отходы.</p>
	<p>Не сжигать</p>
	<p>Перед выполнением любой регулировки, обслуживания или технического ремонта извлеките аккумулятор.</p>
	<p>Разблокировка</p>
	<p>Блокировка</p>
	<p>Литий-ионная аккумуляторная батарея. Этот продукт был отмечен символом, относящимся к «раздельному сбору отходов» для всех аккумуляторов и батарей. Данная батарея должна быть переработана или утилизирована должным образом, чтобы уменьшить воздействие на окружающую среду. Аккумуляторы могут быть опасными для окружающей среды и здоровья человека, поскольку они содержат вредные вещества.</p>

## УСЛОВНЫЕ ОБОЗНАЧЕНИЯ

	<p>Предупреждение</p>
	<p>Прочтите руководство оператора</p>

## СПИСОК КОМПОНЕНТОВ

1.	<b>БЛОКИРАТОР ПЕРЕКЛЮЧАТЕЛЯ</b>
2.	<b>АККУМУЛЯТОР *</b>
3.	<b>ПЕРЕКЛЮЧАТЕЛЬ ВКЛЮЧЕНИЯ / ВЫКЛЮЧЕНИЯ</b>
4.	<b>ПЕРЕХОДНИК ШЛАНГА</b>
5.	<b>НАСАДКА</b>
6.	<b>ШТАНГА ДЛЯ ОЧИСТКИ ПОД ДАВЛЕНИЕМ</b>
7.	<b>ПЕРЕХОДНИК ФОРСУНКИ</b>

8.	<b>МНОГОСТРУЙНАЯ НАСАДКА</b>
9.	<b>ФИКСИРУЮЩАЯ ШПИЛЬКА</b>
10.	<b>СОЕДИНИТЕЛЬ ШЛАНГА</b>
11.	<b>ФИЛЬТР ДЛЯ ШЛАНГА</b>
12.	<b>ЗАЖИМ ДЛЯ ШЛАНГА</b>
13.	<b>ШЛАНГ</b>
14.	<b>ПОПЛАВОК</b>
15.	<b>БУТЫЛКА ДЛЯ МЫЛА *</b>
16.	<b>ЩЕТКА *</b>
17.	<b>СЕТКА ФИЛЬТРА (СМ. РИС. P2)</b>
18.	<b>ТУРБОНАСАДКА *</b>
19.	<b>КРЫШКА БУТЫЛКИ*</b>
20.	<b>ДОПОЛНИТЕЛЬНАЯ ТРУБКА *</b>
21.	<b>ВРАЩАЮЩИЙСЯ БЫСТРОРАЗЪЕМНЫЙ ПЕРЕХОДНИК *</b>
22.	<b>ШТУЦЕР БЫСТРОРАЗЪЕМНОГО СОЕДИНЕНИЯ*</b>
74	23. <b>РЕГУЛИРУЕМЫЙ СКРЕБОК *</b>

RU

\* Не все принадлежности, иллюстрированные или описанные включены в стандартную поставку.

## ТЕХНИЧЕСКИЕ ДАННЫЕ

Моделей: **KG633E KG633E.X (6 -обозначение машинного оборудования, представитель аккумуляторной моечной машины)**

	KG633E KG633E.X **
Напряжение на выходе	20 V $\overline{=}$ Max***
Макс. давление	25 bar
Номинальное давление	22 bar/15 bar
Максимальная производительность	210 L/h
Максимум. давление воды на входе	6 bar
Высота всасывания	Max 1.5m
Температура воды	Max 40°C
Вес (с трубкой)	1.8 kg

\*\* X=1-999,A-Z,M1-M9 используются только для

разных инструментов. Безопасная соответствующая замена между данными моделями невозможна.

\*\*\*Напряжение измерено без рабочей нагрузки. Первоначальное напряжение аккумулятора достигает максимум 20 В. Номинальное напряжение составляет 18 В.

## ПРЕДЛАГАЕМЫЕ АККУМУЛЯТОРЫ И ЗАРЯДНЫЕ УСТРОЙСТВА

Категория	Тип	Ёмкость
Аккумулятор 20 В	KAB02	2.0Ah
Зарядное устройство 20 В	KAC02	2.0A

Мы рекомендуем Вам приобрести аксессуары, перечисленные в приведенном выше списке, в том же магазине, где продавался инструмент. Обратитесь к упаковке для получения дополнительной информации. Персонал магазина может помочь Вам и дать совет.

## ДЛЯ ТРИММЕРА: ХАРАКТЕРИСТИКИ ШУМА

Условное звуковое давление  $L_{pA}$ : 75.1 dB(A)

Удельная мощность звука  $L_{wA}$ : 86.1 dB(A)

$K_{pA}$  3.0dB(A)

Наденьте защиту для ушей.



## ХАРАКТЕРИСТИКИ ВИБРАЦИИ

Измеренная вибрация  $a_n = 0.841 m/s^2$   
 $K = 1.5 m/s^2$

Заявленное общее значение вибрации может использоваться для сравнения инструментов между собой, а также для предварительной оценки воздействия.

**!** **ВНИМАНИЕ:** вибрация, производимая при работе механизированного инструмента, может отличаться от заявленных значений в зависимости от способов использования устройства. Ниже перечислены некоторые условия, от которых зависит интенсивность вибрации: Способ использования инструмента и свойства обрабатываемого материала.

Состояние инструмента и уровень техобслуживания.

Тип используемых принадлежностей и их техническое состояние.


Сила удержания рукояток и наличие противовибрационных средств.

Используемые рабочие инструменты, соответствие применения инструментов их назначению.

**При неправильном обращении данное устройство может стать причиной синдрома дрожания рук.**

 **ВНИМАНИЕ:** для точной оценки воздействия вибрации во время эксплуатации необходимо также учитывать все этапы рабочего процесса, включая время, когда устройство выключено или включено, но бездействует. Эти перерывы значительно снижают общее влияние вибрации в ходе всего рабочего цикла. Следующие рекомендации помогут снизить опасность воздействия вибрации при работе. ВСЕГДА пользуйтесь только острыми инструментами (резцами, сверлами, пилами и т.д.). Проводите техобслуживание в соответствии с указаниями, тщательно смазывайте устройство в соответствующих местах. Если устройство используется регулярно, приобретите противовибрационные средства. Распределите задачи так, чтобы работы, сопровождающиеся высоким уровнем вибрации, проводились через большие промежутки времени.

## СБОРКА И РАБОТА

 **ВНИМАНИЕ:** Перед использованием инструмента, внимательно прочитайте руководство по эксплуатации.

### Перед Эксплуатацией

#### Установка батарей (См. Рис.А1)

#### Снятие батарей (См. Рис.А2)

#### Проверка состояния батарей (См. Рис. А3)

**ПРИМЕЧАНИЕ:** Рисунок А3 применяется только для батареи со световым индикатором заряда батареи.

#### Зарядка аккумулятора (См. Рис.А4)

Более подробную информацию можно найти в руководстве зарядного устройства

### Сборка

#### Режим работы 1 (См. Рис.В1)

Прикрепление короткого копыа к соплу

**ПРИМЕЧАНИЕ:** Мощная форсунка имеет три

режима работы: только трубка для очистки под давлением, только короткая трубка и короткая трубка, используемая вместе с удлинительной трубкой.

#### Режим работы 2 (См. Рис.В2)

Присоединение короткой насадки к механической насадке

#### Режим работы 3 (См. Рис.В3, В4)

Присоединение насадки к насадке  
Присоединение короткой насадки к удлинительной насадке


#### Присоединение многоструйной насадки (См. Рис.С)

**ПРИМЕЧАНИЕ:** при установке поверните насадку влево и вправо, чтобы убедиться, что насадка полностью вставлена на место и осторожно потяните её, чтобы убедиться, что она надежно зафиксирована.

#### Присоединение шланга к соплу (См. Рис.Д1, Д2, Д3)

**ПРИМЕЧАНИЕ:** После подключения шланга проверьте соединение, осторожно потянув шланг.


### РАБОТА


 **ПРЕДУПРЕЖДЕНИЕ:** Поставляемая батарея не является водонепроницаемой. Чтобы избежать риска отказа батареи, предохраняйте аккумулятор от воздействия воды во время использования. Храните инструмент и аккумулятор в сухом месте после использования.

#### Запуск(См. Рис.Е1,Е2,Е3)


**ПРИМЕЧАНИЕ.** При первом использовании или после длительного хранения рекомендуется подсоединить включенное устройство к водопроводу или закачать воду в переходник шланга, чтобы удалить из устройства воздух. Начиная работу только после того, как вода заполнит шланг и начнется распыление.

#### Выбор сопла (См. Рис.F)

**ПРИМЕЧАНИЕ.** Выберите подходящую модель насадки в соответствии с вашей работой. Насадки 0°, 15°, 25° и 40° применимы для очистки, а насадка  лучше всего подходит для полива.

 **ПРЕДУПРЕЖДЕНИЕ:** Не двигайте форсунку, когда инструмент включен.

#### Очистка(См. Рис.G,H)

 **ПРЕДУПРЕЖДЕНИЕ.** Не подключайте устройство к грязной, ржавой или мутной воде. (Включая жидкости для очистки окон, растительные продукты или удобрения и т. Д.)

**ПРИМЕЧАНИЕ:** Для надлежащего обслуживания

после использования с морской водой продукт следует промыть пресной водой.

## Поливка(См. Рис.1)

# ПОДКЛЮЧЕНИЕ АКСЕССУАРОВ

Ряд аксессуаров поставляются с этим продуктом и необходимы для использования в разных условиях. **Не пытайтесь использовать чистку без трубки или прилагаемых принадлежностей.**

### 1. Мыльная бутылка (КА2563, приобретается отдельно)

Мыльная бутылка предоставляет моющие средства для более глубокой очистки грязи. Она используется в сочетании с насадкой или удлинительной трубкой. (См. Рис. J1, J2)  
**Примечание:** При использовании бутылки с мылом не отключайте устройство от источника воды

### 2. Щетка (КА2510, приобретается отдельно)

Щетка предназначена для уборки автомобилей, катеров, мотоциклов и т. Д. Используется в сочетании с насадкой или удлинительной трубкой. (См. Рис. K1, K2)

### 3. Турбонасадка (КА2527, приобретается отдельно)

Турбонасадка разбрызгивает воду на 360 °, которая очищает большую площадь, чем обычная насадка в течение того же периода времени. Подходит с удлинительной трубкой или HydroShot. Рекомендуется использовать его с установкой высокого давления (См. Рис. L)

### 4. Крышка для бутылок (КА2588, приобретается отдельно)

Соединитель крышки для бутылок позволяет напрямую подсоединять к инструменту большинство 2-литровых бутылок с горловиной приблиз. 1 дюйм. (ПРИМЕЧАНИЕ: Может не подходить для всех бутылок из-под газированных напитков и питьевой воды.)(См. Рис.М1, М2, М3)

**⚠️ ПРЕДОСТЕРЕЖЕНИЕ:** Не устанавливайте аксессуар соединителя крышки бутылки, пока мойка не будет готова к использованию. Будет происходить утечка из вентиляционных отверстий аксессуара, если бутылка установлена, а мойка лежит на горизонтальной поверхности.

### 5. Вращающийся быстроразъемный переходник (КА2529, приобретается отдельно)

Вращающийся быстроразъемный переходник позволяет поворачивать насадки для очистки на 180° в любом направлении.

Идеально подходит для уборки в труднодоступных местах. Подходит для мойки HYDROSHOT™ и многоструйной насадки (См. Рис.О1, О2)

# ОБСЛУЖИВАНИЕ

**Перед выполнением любой регулировки, обслуживания или технического обслуживания, извлеките аккумулятор из инструмента.**

Перед каждым использованием убедитесь, что изделие не повреждено или изношено. Не используйте его, если вы обнаружили поврежденные или изношенные детали. Обратитесь к поставщику или изготовителю за запасными частями.

### Обслуживание фильтра шлангов

Снимите фильтр со шланга. Промойте детали чистой водой перед повторной сборкой. (См. Рис. N1, N2)

### Обслуживание сетчатого фильтра

Открутите шланговый штуцер, чтобы получить доступ к сетчатому фильтру (см. Рис. P1, P2). Промойте фильтр чистой водой и установите штуцер обратно.

**ПРИМЕЧАНИЕ:** Обеспечьте плотное прикручивание шлангового штуцера при обратной установке, иначе поступление воды в него может быть ограничено, что приведёт к неправильной работе устройства

**⚠️ ВНИМАНИЕ: все другие виды обслуживания выполняет уполномоченный представитель сервисной службы.**

# ОЧИСТКА / ХРАНЕНИЕ

Перед хранением полностью вылейте воду из мойки и шланга.

Очистите пластиковый корпус мойки с помощью мягкой щетки и чистой ткани. Не используйте воду, растворители или полироли. Хранить в сухом и безопасном месте в недоступном для детей месте. Не размещайте другие предметы на изделии. Храните мойку и аксессуары в теплом помещении.

# ОХРАНА ОКРУЖАЮЩЕЙ СРЕДЫ



### Переработка отходов

Машина, ее аксессуары и упаковочные материалы должны быть отсортированы для экологически чистой переработки. Пластиковые компоненты имеют маркировку для вторичной переработки.

# ИСПРАВЛЕНИЕ ПРОБЛЕМ

Проблема	Причины	Решение
Мойка включается, но она не набирает воды, либо недостаточно давления.	Насадка расположена слишком высоко от источника воды.	Опустите мойку ниже 1.5м.
	Фильтр шланга засорен.	Снимите фильтр шланга и промойте детали чистой водой. (Рис. N1, N2)
	Пользовательский шланг неплотно подключен.	Проверьте и крепко закрепите садовый шланг.
	Переходник шланга не затянут. Отсутствует сетка фильтра. (Рис P1,P2)	Надежно затяните адаптер шланга с помощью гаечного ключа. Обратитесь в Kress, чтобы получить сетку фильтра.
	Насос, шланг или другие детали замерзли при холодной температуре	Подождите, пока насос, шланг или другие детали оттают.
	Шланг изогнут.	Вытяните шланг.
Утечка многоструйного сопла	Насадка некорректно брызгает.	Убедитесь, что символ сопла совпадает с меткой на инструменте.
	Ослаблена фиксирующая шпилька форсунки.	Затяните её ключом.
Давление на выходе резко увеличилось.	Многоструйная насадка засорилась.	Замените на новую насадку.
После остановки вытекает вода	После остановки осталась вода в трубке и насосе.	Вылейте всю воду перед хранением.
Не распыляются моющие средства.	Бутылка засорена.	Промойте чистой водой.
Мойка не запускается.	Батарея плохо закреплена.	Переустановите батарею.
	Батарея разряжена.	Замените на новую батарею или зарядите старую.
	Дефектная батарея.	Замените на новую батарею.
Непостоянное давление мойки.	Сторонний подсос воздуха в мойке.	Проверьте крепление адаптера и шланга.
	Установлен режим низкого давления.	Нет необходимости в действиях.
Мойка автоматически останавливается.	Батарея разряжена.	Замените на новую батарею или зарядите старую.
	Насадка засорена, сработала защита.	Снимите многоструйную насадку и включите мойку. Если она работает нормально, замените на новую насадку
После длительного простоя в устройство не поступает вода	Вероятно, в устройство попали излишки воздуха	Подсоедините устройство к источнику воды и включите его.

# ДЕКЛАРАЦИЯ СООТВЕТСТВИЯ

Мы,  
Positec Germany GmbH  
Postfach 32 02 16, 50796 Cologne, Germany

Заявляем, что продукт,  
Марки **Аккумуляторный триммер для травы  
/ кусторез**  
Моделей **KG633E KG633E.X (6 -обозначение  
техники, представитель аккумуляторных  
стиральной машина)**  
Функции **Очистка поверхностей**

Соответствует положениям Директив,  
**2006/42/EC**  
**2014/30/EU**  
**2011/65/EU&(EU)2015/863**  
**2000/14/EC изменена 2005/88/EC**

## Для триммера травы:

2000/14/EC изменена 2005/88/EC:

- Процедура оценки соответствия в соответствии  
с **ПриложениеV**

- Измеренный уровень звуковой мощности **86.1dB**

-Заявленный гарантированный уровень звуковой  
мощности **91.1dB**

78

И стандартам

**EN 60335-1, EN 60335-2-54, EN 62233, EN ISO  
3744, EN IEC 55014-1, EN IEC 55014-2, EN IEC  
63000**

Лицо с правом компилирования данного  
технического файла,

**имя Marcel Filz**

**Адрес Positec Germany GmbH**

**Postfach 32 02 16, 50796 Cologne, Germany**



2021/12/13

Allen Ding

Заместитель главного инженера, Тестирование и  
сертификация

Positec Technology (China) Co., Ltd.

18, Dongwang Road, Suzhou Industrial

Park, Jiangsu 215123, P. R. China

# INNEHÅLLSFÖRTECKNING

Introduktion.....	79
Säkerhetsvarningar .....	80
Komponenter.....	82
Specifikationer.....	82
Montering & Hantering.....	83
Underhåll.....	84
Miljöskydd.....	84
Felsökning.....	85
Deklaration Om Överensstämmelse.....	86

## INTRODUKTION

Bästa kund,

Tack för ditt köp av denna produkt från Kress. Vi är engagerade i vår strävan att utveckla produkter av hög kvalitet för att möta kraven för din gräsmatta och trädgård.

Kress som varumärke är synonymt med förstklassig service. Skulle du ha några frågor eller funderingar om din produkt under dess brukstid, kan du kontakta din återförsäljare eller vårt kundtjänstteam för hjälp.


Vi är övertygade om att du kommer att trivas med att arbeta med din produkt från Kress i många år framöver.

## ÄNDAMÅLSENLIG ANVÄNDNING

Detta verktyg är avsett för rengöring och bevattning.

Användare kan se  
de elektroniska  
bruksanvisningarna på  
<https://www.kress.com/>.

## BRUKSANVISNING I ORIGINAL PRODUKTSÄKERHET GENERELLA SÄKERHETSVARNINGAR

 **WARNING! Läs alla  
instruktioner.** Följs inte  
alla nedanstående  
instruktioner kan det leda till  
elektriska stötar, brand och/  
eller allvarliga skador.

---

80  
SV

### Spara alla varningar och instruktioner för framtida bruk.

- Denna maskin kan användas av personer med nedsatt fysisk, sensorisk mental förmåga eller brist på erfarenhet eller kunskap om de instrueras om hur man använder den på ett säkert sätt och alla faror förknippade med den samt använder den under uppsikt. Barn ska inte leka med apparaten.
- Apparaten bör endast användas med den strömförsörjningsenhet den har försetts med.

### Kompletterande säkerhetsregler

1. Vätska får inte riktas mot

- apparater som innehåller elektriska komponenter.
2. Ta u teller koppla bort batteripacket varje gång du är klar med maskinen eller när den ska underhållas.
  3. Apparaten får inte lämnas oövervakad när den är ansluten till elnätet.
  4. Apparaten skall inte användas om den tappats, om det finns synliga skador eller om den läcker.
  5. Förvara apparaten utom räckhåll för barn när den är strömsatt.

### BATTERISÄKERHET SÄKERHETSFÖRESKRIFTER FÖR BATTERIET

- a) **Ta inte isär batteriet, öppna inte heller batteriet eller sära på battericeller.**
- b) **Kortslut inte batteriet. Förvara inte batteriet på ett slarvigt sätt i en låda där det kan kortslutas eller skadas av ledande material.** När batteriet inte används, håll det borta från metallobjekt, såsom pappersgem, pengar, nycklar, naglar, skruvar eller andra små metallobjekt som kan leda ström från en terminal till en annan. Om batteriterminalerna




kortsluter varandra kan de förorsaka brandrisk.

- c) **Exponera inte batteriet för eld eller värme. Undvik förvaring i direkt solljus.**
- d) **Utsätt inte batteriet för mekanisk chock.**
- e) **Om batteriet läcker, låt inte vätskan komma i kontakt med hud eller ögon. Om så ändå skulle hända, skölj med mycket vatten och sök läkarhjälp.**
- f) **Håll batteriet rent och torrt.**
- g) **Torka av batteriet om det blir smutsigt med en torr, ren trasa.**
- h) **Batteriet måste laddas före användning. Använd den här bruksanvisningen för att ladda batteriet korrekt.**
- i) **Låt inte batteriet stå på laddning när det inte används.**
- j) **Efter lång tids användning kan det bli nödvändigt att ladda och ladda ur batteriet många gånger för att nå maximal prestanda.**
- k) **Ladda endast med laddare av varumärket Kress. Använd ingen annan laddare än den som specifikt ska användas med det här batteriet.**
- l) **Använd inte ett batteri**

**som inte är avsett för användning med det här verktyget.**

- m) **Håll batteriet borta från barn.**
- n) **Behåll den ursprungliga bruksanvisningen för framtida användning.**
- o) **Plocka ur batteriet från verktyget då det inte används.**
- p) **Kassera batteriet på rätt sätt.**
- q) **Blanda inte celler från olika tillverkning, kapacitet, storlek eller typ inom en enhet.**
- r) **Håll batteriet borta från mikrovågor och högt tryck.**

## SYMBOLER

	Varning
	Läs bruksanvisningen
	Batterierna kan komma in i vattnets kretslopp om de inte kasseras korrekt och detta kan vara skadligt för EKO-systemet. Kasta inte batterier i de vanliga osorterade hushållssoporna.
	Får ej uppeldas.
	Avlägsna batteriet från hylsan innan justeringar, service eller underhåll utförs.


	Lås
	Lås upp
	Uttjänade elektriska maskiner får inte kasseras som hushållsavfall. Använd återvinningsfaciliteter om det finns tillgängligt. Kontrollera med din återförsäljare eller vilka lokala föreskrifter som föreligger.
 Li-Ion 	Li-Ion-batteri Denna product har märkts med en symbol för sopsortering för alla batterisatser. De kommer då att återvinnas och plockas isär för att minska påverkan på miljön. Batterisatser kan vara skadliga för miljön och för människors hälsa då de innehåller farliga substanser.

20.	FÖRLÄNGNINGSRÖR *
21.	VRIDBAR SNABBKOPPLINGSADAPTER *
22.	SNABBKOPPLINGSADAPTER *
23.	KORT RÖR *

\* Alla tillbehör beskrivna eller avbildade nedan medföljer inte standardprodukten.

## TEKNISKA DATA

Typ **KG633E KG633E.X** (6- beteckning av maskiner, representant för batteridriven tvättmaskin)

	KG633E KG633E.X**
Spänning	20 V  Max***
Tryck	25 bar
Nominellt tryck	22 bar/15 bar
Max flödes hastighet	210 L/h
Max. ingångstryck för vatten	6 bar
Sughöjd	Max 1.5m
Vattentemperatur	Max 40°C
Maskinens vikt (Naken verktyg)	1.8kg

\*\* X = 1-999, A-Z, M1-M9 är endast för olika kunder, det finns inga säkerhetsrelaterade förändringar mellan dessa modeller.

\*\*\* Spänning uppmätt utan belastning. Initial batterispänning är max. 20 V. Nominell spänning är 18 V.

## FÖRESLAGNA BATTERIER OCH LADDARE

Kategori	Typ	Kapacitet
20V Batteripaket	KAB02	2.0Ah
20V Laddning	KAC02	2.0A

Vi rekommenderar att du köper tillbehör från butiken där verktygen säljs. Se tillbehörspaketet för mer information. Butikspersonal kan hjälpa dig och ge dig råd.

## BULLERINFORMATION

Uppmätt ljudtryck	$L_{pA}$ : 75.1 dB(A)
Uppmätt ljudstyrka	$L_{wA}$ : 86.1 dB(A)
$K_{pA}$	3.0dB(A)

## KOMPONENTER

1.	LÅSNINGSKNAPP FÖR STRÖMBRYTAREN
2.	BATTERIPAKET *
3.	STRÖMBRYTARE
4.	SLANGADAPTER
5.	ELMUNSTYCKE
6.	TRYCKTVÄTTSMUNSTYCKE
7.	MUNSTYCKESADAPTER
8.	MULTISPRAYMUNSTYCKE
9.	FIXERINGSSPIK
10.	SLANGKONTAKT
11.	SLANGFILTER
12.	SLANGCLIP
13.	SLANG
14.	FLOTTÖR
15.	SÅPFLASKA *
16.	BORSTE *
17.	FILTERSIL (SE FIG. P2)
18.	TURBOMUNSTYCKE *
19.	KAPSYLANSLUTARE *



## VIBRATIONSINFORMATION

Typisk uppmätt vibrering

$$a_w = 0.841 \text{ m/s}^2$$

$$k = 1.5 \text{ m/s}^2$$

Det deklarerade totala vibrationsvärdet kan användas för att jämföra ett verktyg med ett annat och det kan också användas för preliminär bedömning av exponering.

**! WARNING:** Vibrationsemissionsvärdet vid användning av maskinverktyg kan skilja sig åt från det deklarerade värdet beroende på hur verktyget används och beroende på följande exempel och andra variationer av hur verktyget används: Hur verktyget används och materialet som verktyget används med.

Verktyget är i bra skick och bra underhållet. Användning av korrekt tillbehör till verktyget och säkerställandet att det är vasst och i bra skick. Beroende på hur tajt åtdraget handtaget är och om några antivibrationstillbehör används. Verktyget används som avsett enligt konstruktionen och de här instruktionerna.

**Detta verktyg kan orsaka hand- arm- vibrationsyndrom om det används på felaktigt sätt.**

**! WARNING:** För att det ska bli korrekt bör en beräkning av exponeringsnivån under verkliga förhållanden vid användning också tas med för alla delar av hanteringscykeln såsom tiden när verktyget är avstängt och när det körs på tomgång utan att utföra något arbete. Detta kan betydligt minska exponeringsnivån över den totala arbetsperioden. Hjälp för att minimera risken för vibrationsexponering. Använd ALLTID skarpa mejslar, borrar och blad. Underhåll verktyget i enlighet med dessa instruktioner och håll det välsmort (där det är nödvändigt). Om verktyget ska användas regelbundet, investera i antivibrationstillbehör. Planera ditt arbetsschema för att sprida ut användning av kraftigt vibrerande verktyg över flera dagar.

## MONTERING & HANTERING



**OBS:** Innan du använder verktyget, läs noga igenom bruksanvisningen.

### INNAN ENHETEN TAS I BRUK

**Sätta i batteripaket (Se Fig.A1)**

**Ta bort batteripaket (Se Fig.A2)**

### Kontroll av batteriets skick (Se Fig.A3)

**OBS:** Figur A3 gäller endast batteripack med batterilampor.

### Ladda batteriet (Se Fig.A4)

Mer detaljer finns i laddarens handbok

## MONTERING

### Driftläge 1 (Se Fig.B1)

Fäst tryck rengöring munstycket i kraft munstycket **OBS!** Kraftmunstycket har tre arbetslägen: endast lans för tryckrengöring, endast kort lans och kort lans används tillsammans med förlängningslans.

### Driftläge 2 (Se Fig.B2)

Fäst det korta röret i elmunstycket

### Driftläge 3 (Se Fig.B3, B4)

Fäst förlängningsröret i elmunstycket. Fästa det korta röret i förlängningsröret

### Fästa multi spraymunstycket (Se Fig.C)

**OBS:**när du fäster munstycket vrider du det till vänster och höger för att se till att det ligger rätt och dra försiktigt i det för att se till att det sitter säkert.

### Fäst slangen i munstycket (Se Fig.D1, D2 , D3)

**OBS:** Efter att slangen har fasts kontrollerar du anslutningen genom att försiktigt dra i slangen. Den ska inte kunna dras av.


## DRIFT

**! WARNING:** Det medföljande batteriet är inte vattentätt. För att undvika batterifel bör du skydda batteriet från att utsättas för vatten under användning. Förvara verktyg och batteri på en torr plats efter användning.

### Starta(Se Fig.E1,E2,E3)

**NOTERA:** Vid första användning eller efter lång förvaring rekommenderas att fästa kranen eller spruta in vatten i slangadaptorn med maskinen påslagen för att tömma ut luften. Börja inte att arbeta innan vattnet fylls på i slangen och sprutar ut.

### Välja sprayläge (Se Fig.F)

**OBS:**Välj ett lämpligt sprayläge efter arbetet du utför. Spraylägena 0°, 15°, 25° och 40° är lämpliga för rengöring och sprayläget med symbolen med symbolen  är lämpligt för bevattning.

**! WARNING:** Ändra inte sprayläget medan verktyget är på.

### Rengöring(Se Fig.G,H)

**! WARNING:** Anslut inte maskinen till vattentäcker som är utsatta, rostiga, leriga

**eller frätande. (Inklusive  
fönsterrengöringsvätskor, vegetabiliska  
livsmedel eller gödningsmedel etc.)**

**OBS:** Om havsvatten används måste produkten sköljas och köras med färskvatten för att förlänga maskinens livslängd.

**Bevattning(Se Fig.I)**

## MONTERA TILLBEHÖR

Ett antal tillbehör ingår i produkten och krävs för olika typer av användning. **Rengör inte utan ett rör eller annat tillbehör monterat.**

### 1.Såpflaska (KA2563, säljs separat)

Såpflaskan innehåller rengöringsmedel för djupgående rengöring. Den används med elmunstycket.(See Fig. J1, J2)

**OBS:** När du använder en tvåflaska ska du ansluta maskinen till vatten.

### 2.Borste (KA2510, säljs separat)


Borsten är avsedd för att rengöra bilar, båtar, motorcyklar etc. Den används tillsammans med elmunstycket (See Fig. K1, K2)

### 3. Turbomunstycke (KA2527,säljs separat)

Turbomunstycket levererar vatten roterande i 360°, vilket rengör ett större område än 0° vattenmönster under samma tidsperiod. Rekommenderad användning med hög tryckinställning (See Fig. L)

### 4. Kapsylanslutare (KA2588, säljs separat)

Kapsylanslutare är ett tillbehör som gör att verktyget kommer i direktkontakt med de flesta 2 liters flaskor med cirka 1" öppningar (OBS: Kanske inte passar alla läsk- och vattenflaskor) (See Fig.M1, M2, M3)

 **WARNING:** Installera inte kapsylanslutaren förrän den är redo att användas. Tillbehörets ventiler kommer att läcka vätska, om flaskan blir installerad,med medans maskinen ligger på en yta.

### 5. Vridbar snabbkopplingsadapter (KA2529, säljs separat)

Den vridbara snabbkopplingsadapter gör att tillbehör kan vridas 180° i alla riktningar. Passar perfekt för att tvätta svåråtkomliga utrymmen. Passar HYDROSHOT™ supertvätt och multispray munstycke (See Fig. O1, O2)

## UNDERHÅLL

**Avlägsna batteripaketet från verktyget innan du utför någon typ av justering, service eller underhåll.**

Kontrollera alltid produkten för skadade eller slitna delar innan den används. Använd inte produkten om någon del är skadad eller utsliten. Kontakta din leverantör eller tillverkaren för reservdelar.

### Underhålla slangfiltret

Ta ut slangfiltret från slangen och ta ut silen. Skölj

delarna med rent vatten innan du sätter tillbaka dem. (Se Fig. N1, N2)

### Underhåll av filterskärm

Ta av slangadaptern för att få filtret. (Se Fig.P1, P2) Innan återmontering, tvätta med vatten.

**OBS:** Dra åt sladdadaptern när du sätter på den igen. Annars kanske du inte kan extrahera vatten för normal drift.

 **WARNING: Alla andra tjänster ska utföras av en auktoriserad servicerepresentant.**


## REMGAROMG/FÖRVARING

Innan förvaring måste allt vatten i maskinen och slangen tömmas helt.

Maskinens plasthölje med en mjuk borste och en ren duk. Använd inte vatten, lösningsmedel eller polermedel. Förvara alltid på en säker, torr plats och utom räckhåll för barn. Placera inga andra föremål ovanpå maskinen.

Förvara maskinen och tillbehören i ett frostfritt utrymme.

## MILJÖSKYDD

 Elektriska avfallsprodukter får inte kasseras med hushållsavfallet. Återvinn på återvinningscentraler. Kontakta dina lokala myndigheter eller återförsäljaren för återvinningsråd.

# FELSÖKNING

Problem	Möjliga orsaker	Korrigerande åtgärd
Maskinen går igång men den drar inget vatten eller tillräckligt tryck saknas.	Elmunstycket är för högt från vattenkällans yta.	Sänk maskinen under 5ft/1.5m.
	Slangfiltret är blockerat.	Slangfiltret är blockerat. Ta ut slangfiltret och spola delarna med rent vatten. (Se Fig. N1, N2)
	Användarens trädgårdsslang är inte rätt ansluten till maskinen.	Kontrollera och sätt tillbaka trädgårdsslangen så att den sitter tätt.
	Slangadaptern lossnar.	Dra åt slangadaptern med en skiftnyckel.
	Filtersilen saknas. (Se Fig. P1, P2)	Kontakta Kress serviceverkstad för att få en filtersil.
	Pump, slang eller andra delar är frusna på grund av utomhustemperatur.	Vänta på att pumpen, slangen eller andra delar ska tina.
	Slangböjar.	Räta ut slangen.
Multispraymunstycket läcker.	Munstyckemönstret sprayar inte korrekt.	Säkerställ att munstyckemönstersymbolen är i linje med verktygets indikeringsmärke.
	Multispraymunstyckets fixeringsspik lossnar.	Dra åt med en insexnyckel.
Utloppstryck ökar plötsligt.	Multispraymunstycket är blockerat.	Ersätt med ett nytt multispraymunstycke.
Maskinen dränerar vatten efter att ha stannat.	Vatten finns kvar i rör och pump efter att de stoppat.	Dränera allt vatten fullständigt före lagring.
Tvåttillbehör kan inte spraya ut något rengöringsmedel.	Blockering i tvåtflaskan.	Rengör den med färskvatten.
Maskinen startar inte.	Batteripaketet är inte väl fastsatt.	Återinstallera batteripaketet.
	Batteripaketet är tomt.	Ersätt med ett nytt batteripaket eller ladda batteripaketet.
	Batteriet är trasigt.	Byt ut batteriet.
Maskintryck är oregelbundet.	Ytterligare luft kunde sugas in i maskinen.	Kontrollera anslutningen mellan slangadaptern och slangen.
	Den är på lågtrycksinställning.	Ingen åtgärd behövs.
Maskinen stoppar automatiskt.	Batteripaketet är tomt.	Ersätt med ett nytt batteripaket eller ladda batteripaketet.
	Multispraymunstycket är blockerat. Spänningsskydd är aktiverat.	Avlägsna multispraymunstycket och slå på maskinen. Om maskinen fungerar normalt, ersätt med ett nytt multispraymunstycke.

# DEKLARATION OM ÖVERENSSTÄMMELSE

Vi,  
Positec Germany GmbH  
Postfach 32 02 16, 50796 Cologne, Germany

förklarar att denna produkt,  
Beskrivning **Batteridrivna tvättmaskin**  
Typ **KG633E KG633E.X (6 - beteckning av maskiner, representant för batteridrivna tvättmaskin)**  
Funktion **Rengöring och bevattning**

uppfyller följande direktiv,  
**2006/42/EC**  
**2014/30/EU**  
**2011/65/EU&(EU)2015/863**  
**2000/14/EC ändrad av 2005/88/EC**

2000/14/EC ändrad av 2005/88/EC:  
- Konformitetsutvärderingsprocedur enligt **Bilaga V**  
- Uppmätt bullernivå **86.1 dB**  
- Deklarerad garanterad bullernivå **91.1 dB**

Standarder överensstämmer med  
**EN 60335-1, EN 60335-2-54, EN 62233, EN ISO 3744, EN IEC 55014-1, EN IEC 55014-2, EN IEC 63000**

86

SV

Personen som godkänts att sammanställa den tekniska filen,  
**Namn: Marcel Filz**  
**Adress: Positec Germany GmbH**  
**Postfach 32 02 16, 50796 Cologne, Germany**



2021/12/13  
Allen Ding  
Vice chefsingenjör, tester och certifiering  
Positec Technology (China) Co., Ltd.  
18, Dongwang Road, Suzhou Industrial  
Park, Jiangsu 215123, P. R. China



**Kress** 

Copyright © 2023, Positec. All Rights Reserved.  
AR01642201