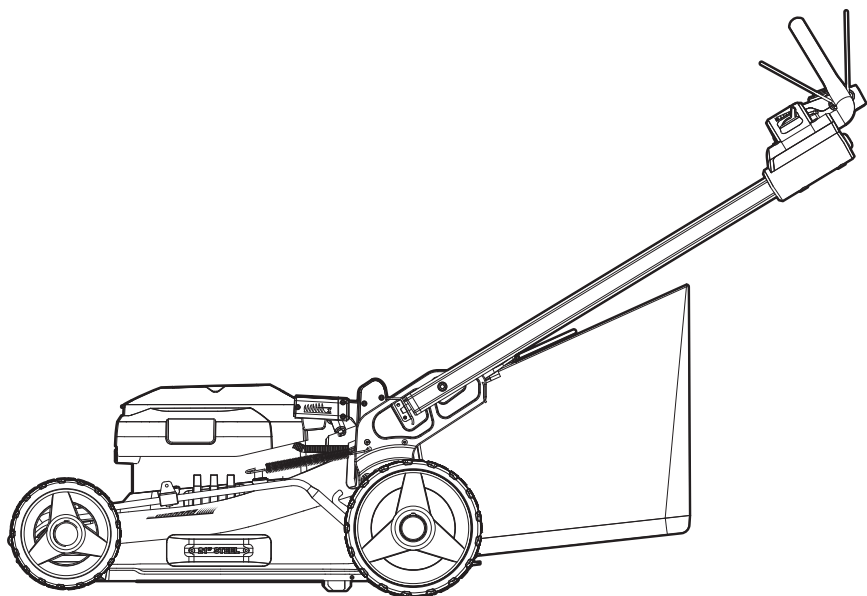
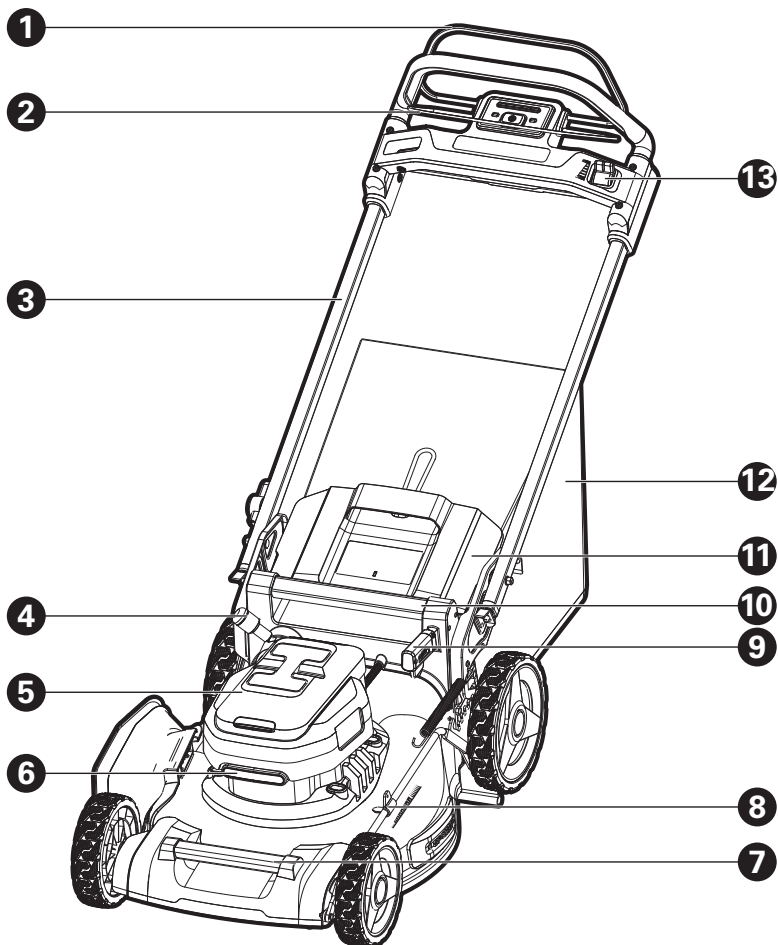
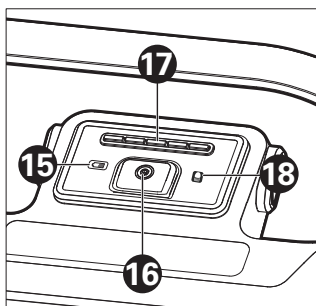
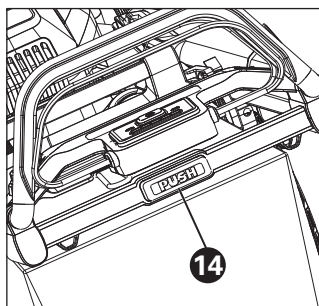


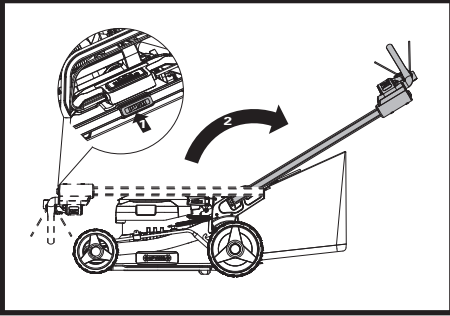
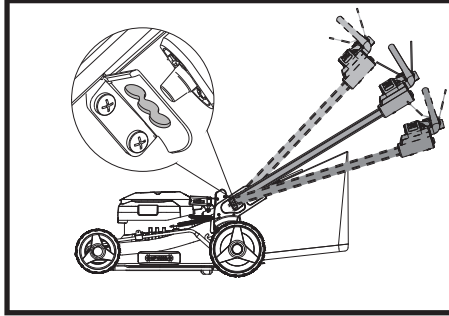
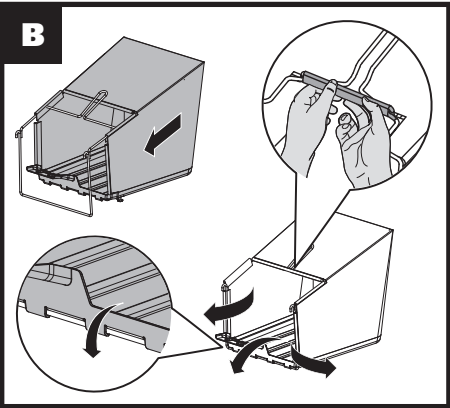
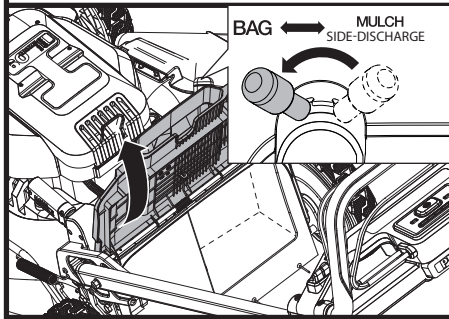
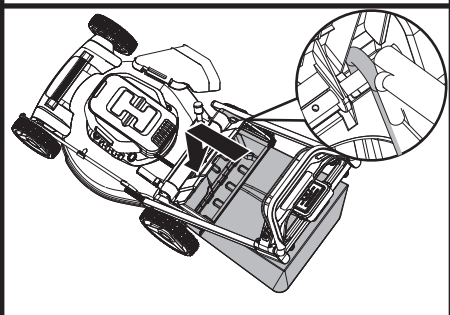
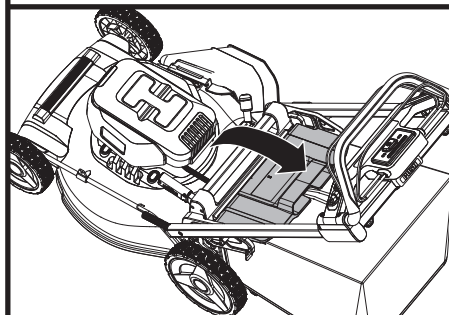
# Kress

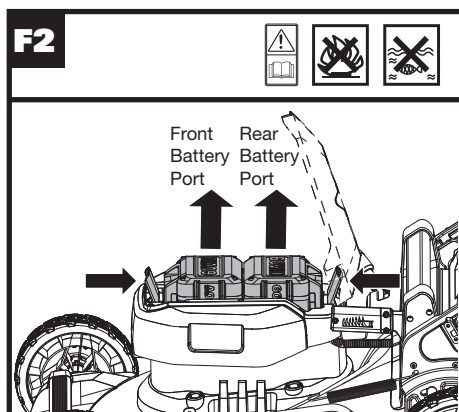
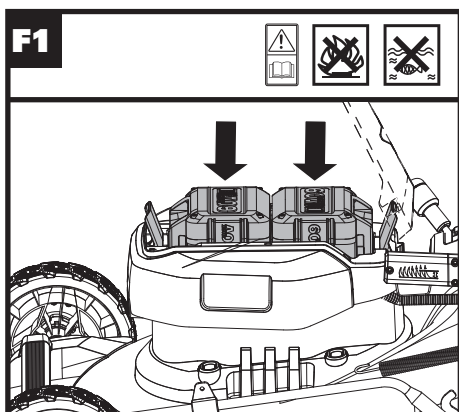
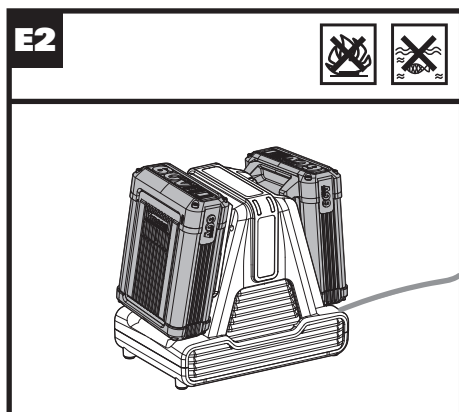
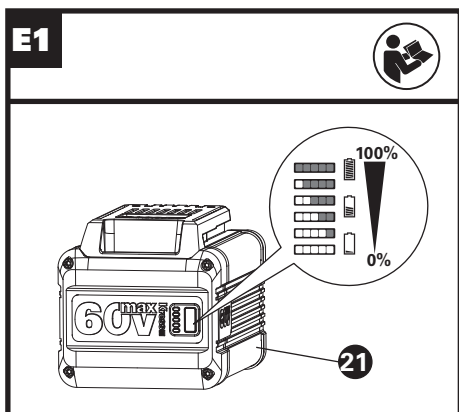
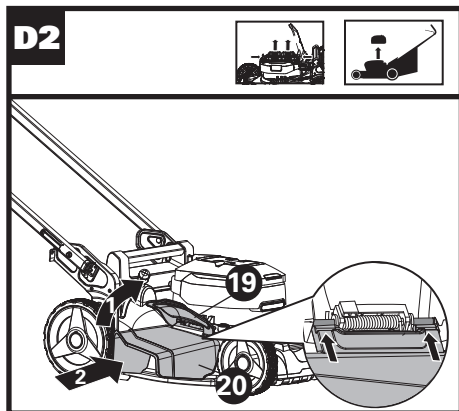
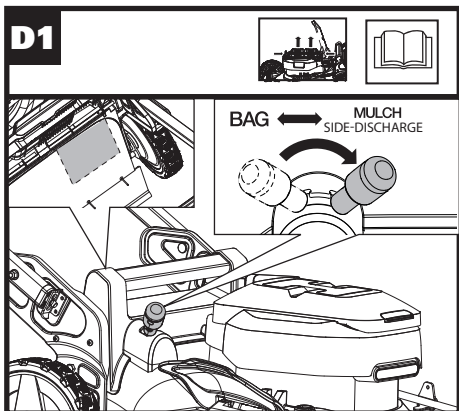


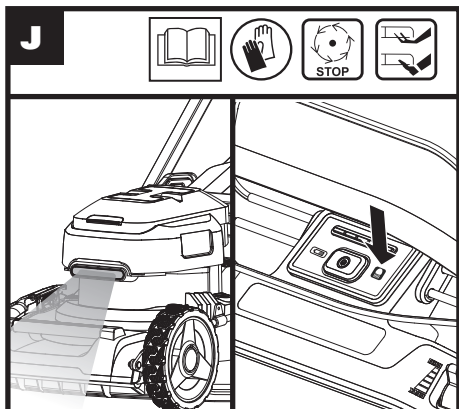
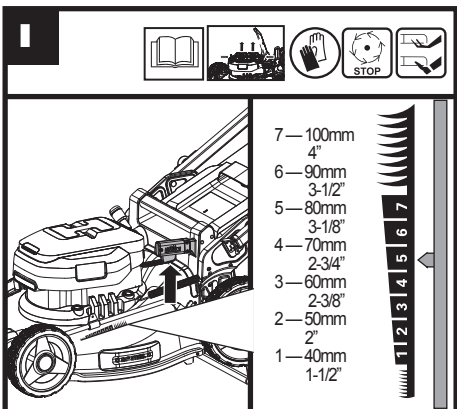
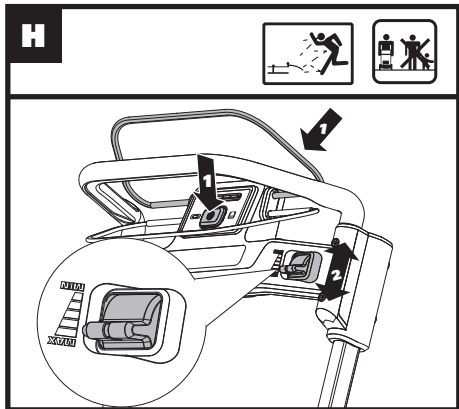
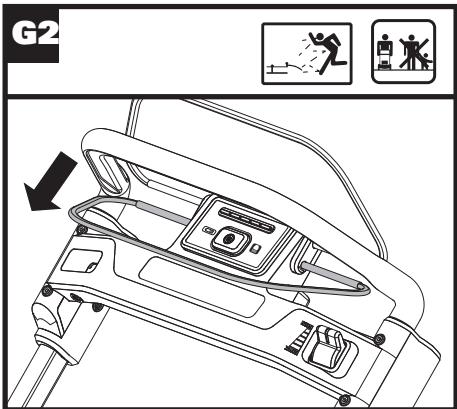
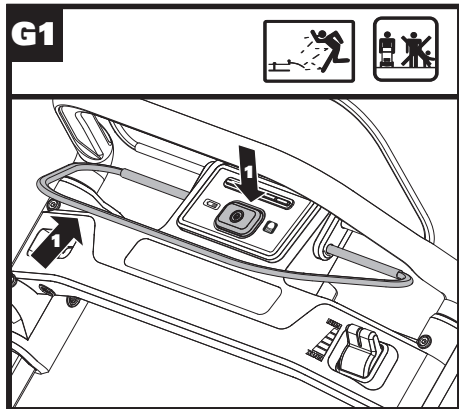
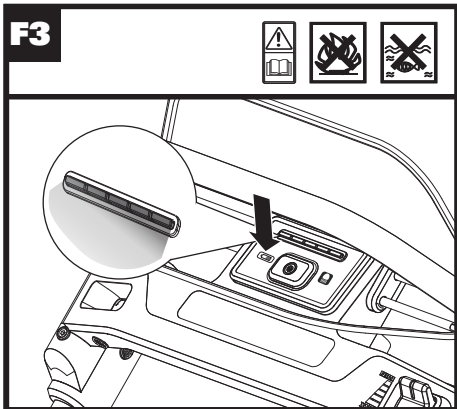
**Cordless Lawn Mower**

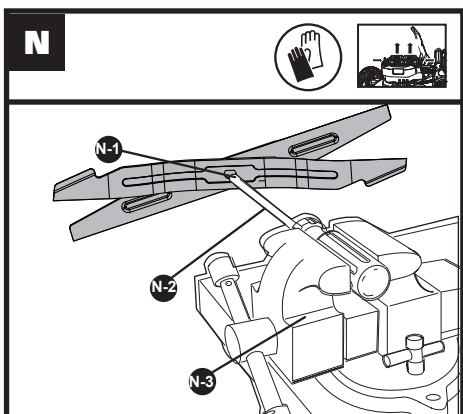
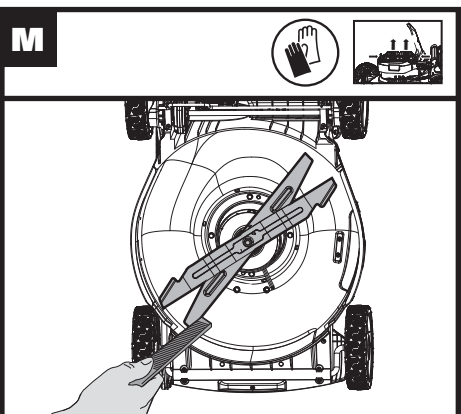
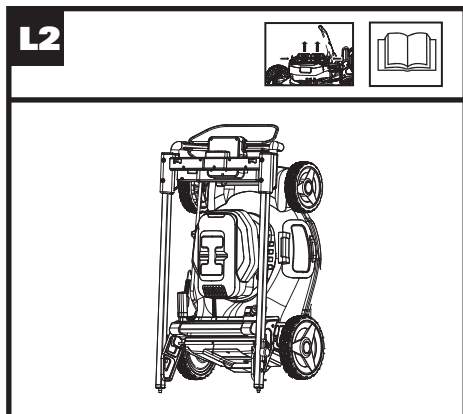
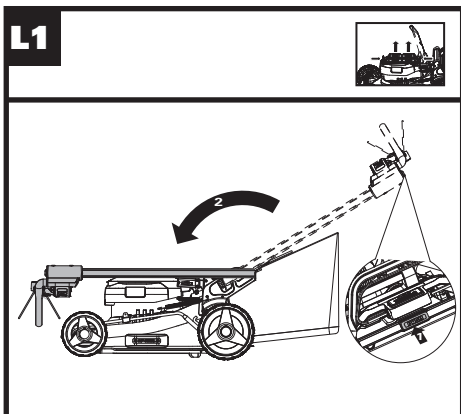
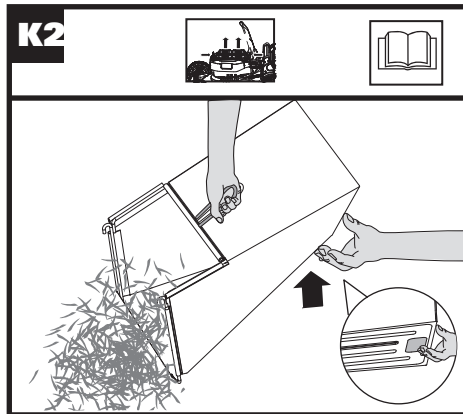
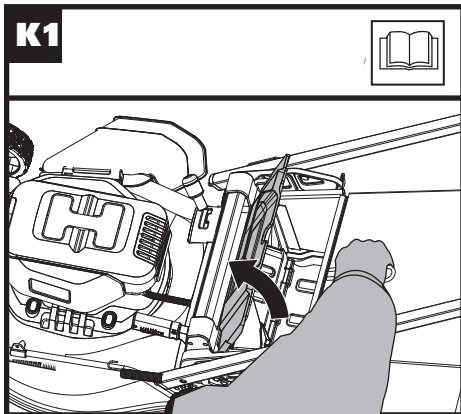
**KG761 KG761.X**

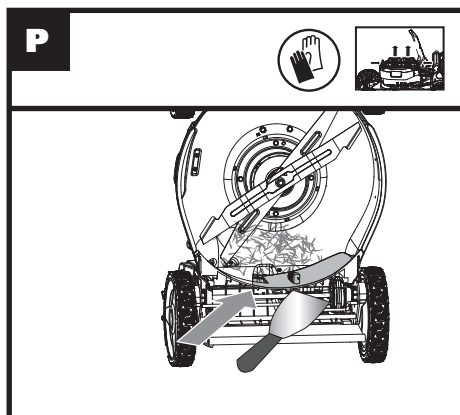
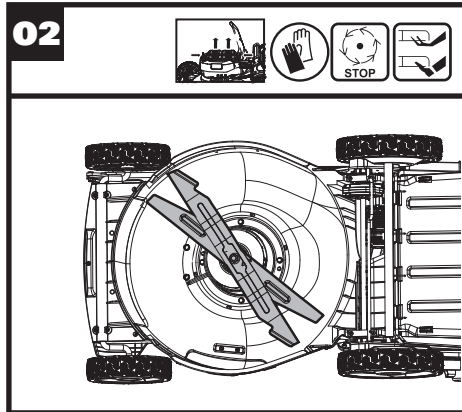
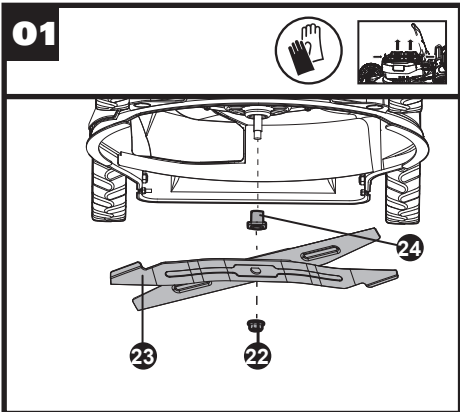


**A1****A2****B****C1****C2****C3**









# TABLE OF CONTENTS

Introduction.....	8
Safety Instructions.....	9
Symbols.....	14
Specifications.....	15
Component List.....	16
Assembly.....	17
Operation.....	17
Maintenance.....	19
Troubleshooting.....	20

## INTRODUCTION

8

Dear Customer,

Thank you for buying this Kress product. We are dedicated to developing high quality products to meet your lawn & garden requirements.

The Kress brand is synonymous with premium quality service. Over the years of your products life, if you have any questions or concerns about your product, please contact your location of purchase or our Customer Service Team for assistance.


We are confident you will enjoy working with your Kress product for years to come.

## INTENDED USE OF LAWN MOWER

This product is intended for domestic lawn mowing.


EN

# PRODUCT SAFETY


 **WARNING:** Some dust created by power sanding, sawing, grinding, drilling and other construction activities contains chemicals known to the State of California to cause cancer, birth defects or other reproductive harm. Some examples of these chemicals are:


- Lead from lead-based paints;
- Crystalline silica from bricks and cement and other masonry products;
- Arsenic and chromium from chemically-treated lumber.


Your risk from these exposures varies, depending on how often you do this type of work. To reduce your exposure to these chemicals: work in a well ventilated area, and work with approved safety equipment, such as those dust masks that are specially designed to filter out microscopic particles.


 **WARNING:** This product can expose you to chemicals including lead and Di(2-ethylhexyl)phthalate (DEHP) which are known to the State of California to cause cancer and birth defects or other reproductive harm. For more information go to [www.P65Warnings.ca.gov](http://www.P65Warnings.ca.gov).

## READ ALL INSTRUCTIONS


 **WARNING:** When using electric lawn mowers, basic safety precautions should always be followed to reduce the risk of fire, electric shock, and personal injury, including the following:

 **WARNING:** Risk of injury could occur if the lawn mower is operated without the catcher assembly attached.

 **WARNING:** The use of any other accessory or attachment might increase the risk of injury.

 **CAUTION:** For battery-operated lawn mowers, use only identical replacement batteries and specifying the battery type and manufacturer.

## FOR ALL LAWN MOWERS

- 1) Avoid dangerous environment - Don't use lawn mowers in damp or wet locations.
- 2) Don't Use In Rain.
- 3)  Keep children away - All visitors should be kept a safe distance from work area.

- 4) Dress properly - Do not wear loose clothing or jewelry. They can be caught in moving parts. Use of rubber gloves and footwear is recommended when working outdoors.
- 5) Use safety glasses - Always use face or dust mask if operation is dusty.
- 6) Use the correct appliance - Do not use lawn mower for any job except that for which it is intended.
- 7) Don't Force Lawn Mower - It will do the job better and safer at the rate for which it was designed.
- 8) Don't overreach - Keep proper footing and balance at all times.
- 9) Stay alert - Watch what you are doing. Use common sense. Do not operate lawn mower when you are tired.
- 10) Store Idle Lawn Mower Indoors - When not in use, lawn mower should be stored in an indoor dry and locked-up place - out of reach of children.
- 11) Maintain lawn mower with care - Keep cutting edges sharp and clean for best and safest performance. Follow instructions for lubricating and changing accessories. Keep handles dry, clean, and free from oil and grease.
- 12) Keep guards in place and in working order.
- 13) Keep blades sharp.
- 14) Keep hands and feet away from cutting area.
- 15) Objects struck by the lawn mower blade can cause severe injuries to persons. The lawn mower should always be carefully examined and the lawn cleared of all objects prior to each mowing.
- 16) If lawn mower strikes a foreign object, follow these steps:
  - i) Stop lawn mower. Release the switch.
  - ii) Remove battery pack.
  - iii) Inspect for damage.
  - iv) Repair any damage before restarting and operating the lawn mower.
- 17) Use identical replacement blades only.

## FOR ALL BATTERY – OPERATED GARDENING APPLIANCES:

1. Prevent unintentional starting. Ensure the switch is in the off-position before connecting to battery pack, picking up or carrying the appliance. Carrying the appliance with your finger on the switch or energizing appliance that have the switch on invites accidents.
2. Disconnect the battery pack from the

appliance before making any adjustments, changing accessories, or storing appliance. Such preventive safety measures reduce the risk of starting the appliance accidentally.

3. Recharge only with the charger specified by the manufacturer. A charger that is suitable for one type of battery pack may create a risk of fire when used with another battery pack.
4. Use appliances only with specifically designated battery packs. Use of any other battery packs may create a risk of injury and fire.
5. When battery pack is not in use, keep it away from other metal objects, like paper clips, coins, keys, nails, screws or other small metal objects, that can make a connection from one terminal to another. Shorting the battery terminals together may cause burns or a fire.
6. Under abusive conditions, liquid may be ejected from the battery; avoid contact. If contact accidentally occurs, flush with water. If liquid contacts eyes, additionally seek medical help. Liquid ejected from the battery may cause irritation or burns.
7. Do not use a battery pack or appliance that is damaged or modified. Damaged or modified batteries may exhibit unpredictable behavior resulting in fire, explosion or risk of injury.
8. Do not expose a battery pack or appliance to fire or excessive temperature. Exposure to fire or temperature above 130°C (265°F) may cause explosion.
9. Follow all charging instructions and do not charge the battery pack or appliance outside of the temperature range specified in the instructions. Charging improperly or at temperatures outside of the specified range may damage the battery and increase the risk of fire.
10. Have servicing performed by a qualified repair person using only identical replacement parts. This will ensure that the safety of the product is maintained.
11. Do not modify or attempt to repair the appliance or the battery pack (as applicable) except as indicated in the instructions for use and care.

## **SAFETY INSTRUCTIONS FOR WALK-BEHIND MOWERS**

### **IMPORTANT**

#### **SAFE PRACTICES FOR WALK-BEHIND MOWERS**


##### **I. GENERAL OPERATION**

1. Read, understand, and follow all instructions on the machine and in the manual(s) before starting.
2. Do not put hands or feet near or under the machine. Keep clear of the discharge opening at all times.
3. Only allow responsible adults, who are familiar with the instructions, to operate this machine.
4. Clear the area of objects such as rocks, wire, toys, etc., which could be thrown by the blade. Stay behind the handle when the motor is running.
5. Be sure the area is clear of bystanders before operating. Stop machine if anyone enters the area.
6. Do not operate machine barefooted or while wearing sandals. Always wear substantial footwear.
7. Do not pull machine backward unless absolutely necessary. Always look down and behind before and while moving backward.
8. Never direct discharged material toward anyone. Avoid discharging material against a wall or obstruction. Material may ricochet back toward the operator. Stop the blade when crossing gravel surfaces.
9. Do not operate machine without the entire grass catcher, discharge guard, rear guard, or other safety protective devices in place and working.
10. Never leave a running machine unattended.
11. Stop the motor and wait until the blade comes to a complete stop before cleaning the machine, removing grass catcher, or unclogging the discharge guard.
12. Operate machine only in daylight or good artificial light.
13. Do not operate machine while under the influence of alcohol or drugs.
14. Never operate mower in wet grass. Always be sure of your footing; walk; never run.
15. Disengage the drive system, if so equipped, before starting the motor.
16. If the machine should start to vibrate abnormally, stop the motor and check for the cause immediately. Vibration is

- generally a warning of trouble.
- Always wear eye protection when operating machine.
  - See manufacturer's instructions for proper operation and installation of accessories. Only use accessories approved by the manufacturer.

## II. SLOPE OPERATION

Slopes are a major factor related to slip and fall accidents, which can result in severe injury. Operation on all slopes requires extra caution. If you feel uneasy on a slope, do not mow it.

- 

Mow across the face of slopes; never up and down. Exercise extreme caution when changing direction on slopes.
- Watch for holes, ruts, bumps, rocks, or other hidden objects. Uneven terrain could cause a slip and fall accident. Tall grass can hide obstacles.
- Do not mow on wet grass or excessively steep slopes. Poor footing could cause a slip and fall accident.
- Do not mow near drop-offs, ditches, or embankments. You could lose your footing or balance.

## III. CHILDREN

Tragic accidents can occur if the operator is not alert to the presence of children. Children are often attracted to the machine and the mowing activity. Never assume that children will remain where you last saw them.

- Keep children out of the mowing area and under the watchful care of a responsible adult other than the operator.
- Be alert and turn mower off if a child enters the area.
- Never allow children to operate the machine.
- Use extra care when approaching blind corners, shrubs, trees, or other objects that may block your view of a child.

## IV. SERVICE

### GENERAL SERVICE

- Keep all nuts and bolts tight to be sure the equipment is in safe working condition.
- Never tamper with safety devices. Check their proper operation regularly.
- Keep machine free of grass, leaves, or other debris build-up.
- If you strike a foreign object, stop and inspect the machine. Repair, if necessary,

- before starting.
- Never make any adjustments or repairs with the motor running.
- Always unplug electric mowers before adjusting, cleaning, or repairing.
- Check grass catcher components and the discharge guard frequently and replace with manufacturer's recommended parts, when necessary.
- Mower blades are sharp. Wrap the blade or wear gloves, and use extra caution when servicing them.
- Maintain or replace safety and instruction labels, as necessary.

### Safe operation practices for walk-behind mowers

#### 1. Safety Instructions


##### 1.1 Training

- Read the operating and service instruction manual carefully. Be thoroughly familiar with the controls and the proper use of the equipment.
- Never allow children to operate a power mower.
- Keep the area of operation clear of all persons, particularly small children, and pets.
- Do not use a mower for any job except that for which it is intended.

##### 1.2 Preparation

- Thoroughly inspect the area where the equipment is to be used and remove all stones, sticks, wires, bones, and other foreign objects.
- Do not operate the equipment when barefoot or wearing sandals. Always wear substantial footwear.
- Disengage the self-propelled mechanism or drive clutch on units so equipped before starting the motor.
- Never attempt to make a wheel height adjustment while the motor is running.
- Mow only in daylight or in good artificial light.
- Never operate the equipment on wet grass. Always be sure of your footing. Keep a firm hold on the handle and walk, never run.

##### 1.3 Operation

- 

Do not put hands or feet near or under rotating parts. Keep clear of the discharge opening

at all times.

- b) Stop the blade(s) when crossing gravel drives, walks, or roads.
- c) After striking a foreign object, stop the motor, unplug, thoroughly inspect the mower for any damage, and repair the damage before restarting and operating the mower.
- d) If the equipment should start to vibrate abnormally, stop the motor and check immediately for the cause. Vibration is generally a warning of trouble.
- e) Stop the motor and unplug whenever you leave the equipment, before cleaning the mower housing, and before making any repairs or inspections.
- f) Shut the motor off and wait until the blade comes to a complete stop before removing the grass catcher or before unclogging the chute.



Mow across the face of slopes, never up and down. Exercise extreme caution when changing direction on slopes. Do not mow excessively steep slopes.

- g) Never operate the mower without proper guards, plates, or other safety protective devices in place.
- h) Do not wash with a hose, avoid getting water in motor and electrical connections.

#### 1.4 Maintenance



- a) Check the blade and the motor mounting bolts at frequent intervals for proper tightness.
- b) Keep all nuts, bolts, and screws tight to be sure the equipment is in safe working condition.
- c) Check bag frequently for deterioration and wear, and replace worn bags. Check that replacement bags comply with the original manufacturer's recommendations or specifications.
- d) Replace the blade if it is bent or cracked. An unbalanced blade causes vibration that could damage the motor drive unit or cause personal injury.
- e) Sharpen a dull blade equally at each end to maintain the balance.
- f) Clear the blade thoroughly and check its balance by supporting it horizontally on a thin nail through its centre hole. The nail should also be in a horizontal position. If either end of the blade rotates downward,

remove some metal from the heavy or lower end until the blade is balanced. It is balanced when neither end drops.

## SAVE THESE INSTRUCTIONS

## GENERAL SAFETY WARNINGS

**WARNING: Read all safety warnings and instructions. Failure to follow the warnings and instructions may result in electric shock, fire and/or serious injury.**

**Save all warnings and instructions for future reference.**













## SAFETY WARNINGS FOR BATTERY PACK




- a) Do not dismantle, open or shred battery pack.
- b) Do not expose battery pack to heat or fire. Avoid storage in direct sunlight.
- c) Do not short-circuit a battery pack. Do not store battery packs haphazardly in a box or drawer where they may short-circuit each other or be short-circuited by other metal objects. When battery pack is not in use, keep it away from other metal objects, like paper clips, coins, keys, nails, screws or other small metal objects, that can make a connection from one terminal to another. Shorting the battery terminals together may cause burns or fire.
- d) Do not subject battery pack to mechanical shock.
- e) In the event of battery leaking, do not allow the liquid to come in contact with the skin or eyes. If contact has been made, wash the affected area with copious amounts of water and seek medical advice.
- f) Do not use any battery pack which is not designed for use with the equipment.
- g) Keep battery pack out of the reach of children.
- h) Always purchase the battery pack recommended by the device manufacturer for the equipment.
- i) Keep battery pack clean and dry.
- j) Wipe the battery pack terminals with a

- clean dry cloth if they become dirty.
- k) Battery pack needs to be charged before use. Always use the correct charger and refer to the manufacturer's instructions or equipment manual for proper charging instructions.
  - l) Do not leave battery pack on prolonged charge when not in use.
  - m) After extended periods of storage, it may be necessary to charge and discharge the battery pack several times to obtain maximum performance.
  - n) Recharge only with the charger specified by Kress. Do not use any charger other than that specifically provided for use with the equipment.
  - o) Retain the original product literature for future reference.
  - p) Use only the battery pack in the application for which it was intended.
  - q) Remove the battery pack from the equipment when not in use.
  - r) Dispose of properly.
  - s) Do not mix cells of different manufacture, capacity, size or type within a device.
  - t) Keep the battery away from microwaves and high pressure.

**SAVE THESE INSTRUCTIONS**

# SYMBOLS

	CPSC Danger label.
	Severing of toes or fingers- Rotary mower blade.
	Thrown objects from mower deck.
	Keep bystanders/children away.
	Safety alert.
	Slip on slope.
	Read the operator's manual.
	Look behind while backing
	To reduce the risk of injury, user must read instruction manual
	Batteries may enter water cycle if disposed improperly, which can be hazardous for ecosystem. Do not dispose of waste batteries as unsorted municipal waste.
	Do not burn
	Li-Ion battery, battery must be recycled


	Wear protective gloves
	Remove battery from the compartment before carrying out any adjustment, servicing or maintenance.
	Blade continues to rotate after the machine is switched off. Wait until all machine components have completely stopped before touching them



POSITEC Inc. has established a partnership with the RBRC Corporation to recycle any Positec batteries with the RBRC-call2recycle seal. For environmental protection, please do not discard batteries in the trash. After the batteries' life cycle is ended, then please call 1-800-822-8837 for a free service that will properly dispose of the battery.

# TECHNICAL DATA

Type **KG761 KG761.X** (7- *designation of machinery, representative of Cordless Lawn Mower*)

	<b>KG761 KG761.X *</b>
Voltage	60V  Max**
No load speed	2800/min
Deck width	21" (53 cm)
Cutting width	20" (51cm)
Front wheel diameter	8" (200 mm)
Rear wheel diameter	10" (250 mm)
Cutting height	1-1/2"~4"(40-100 mm)
Cutting height positions	7
Grass collection capacity	2 Bushels (70 L )
Battery type	Lithium-Ion
Machine weight (bare tool)	67.0 lbs (30.4 kg)

\* X may be followed by one or two characters. All models are the same except model number and trademark. The suffix in models may be number from "1" to "999" or English letter "A" to "Z" or "M1" to "M9" which means different package or the various of accessories packed in the package.

\*\* Voltage measured without workload. Initial battery voltage reaches maximum of 60 volts. Nominal voltage is 54 volts.

## SUGGESTED BATTERIES AND CHARGEDS

<b>Category</b>	<b>Type</b>	<b>Capacity</b>
60V Battery	KA3007	2.5 Ah
	KA3008	5.0 Ah
60V Charger	KA3714	5.0 A
	KA3709	8.0 A

We recommend that you purchase your accessories from the same store that sold you the tool. Choose the type according to the work you intend to undertake. Refer to the accessory packaging for further details. Store personnel can assist you and offer advice.

# COMPONENT LIST

- 
- |     |   |
|-----|---|
| 1.  | SELF-PROPELLED ENGAGEMENT BAIL                  |
| 2.  | OPERATING BAIL (BLADE ENGAGEMENT)               |
| 3.  | HANDLE BAR                                      |
| 4.  | MULCHING / SIDE DISCHARGE -BAGGING SWITCH LEVER |
| 5.  | BATTERY COMPARTMENT COVER                       |
| 6.  | LED HEADLIGHT                                   |
| 7.  | FRONT STORAGE / LIFT HANDLE                     |
| 8.  | CUTTING HEIGHT ADJUSTMENT INDICATOR             |
| 9.  | CUTTING-HEIGHT ADJUSTMENT LEVER                 |
| 10. | REAR LIFT HANDLE                                |
| 11. | SAFETY FLAP                                     |
| 12. | GRASS COLLECTION BAG                            |
| 13. | SELF-PROPEL SPEED-CONTROL                       |
| 14. | FOLDING HANDLE QUICK RELEASE                    |
| 15. | BATTERY INDICATOR LIGHT SWITCH                  |
| 16. | SAFETY LOCK-OUT BUTTON                          |
| 17. | POWER INDICATOR LIGHT                           |
| 18. | LED HEADLIGHT SWITCH                            |
| 19. | SIDE-DISCHARGE COVER (SEE FIG. D2)              |
| 20. | SIDE DISCHARGE-CHUTE (SEE FIG. D2)              |
| 21. | BATTERY PACK (SEE FIG. E2) ***                  |
| 22. | BLADE BOLT (SEE FIG. O1)                        |
| 23. | BLADE (SEE FIG. O1)                             |
| 24. | SPACER (SEE FIG. O1)                            |
- 

\*\*\* Not all the accessories illustrated or described are included in standard delivery.

# OPERATION INSTRUCTION



**NOTE:** Read instruction handbook before operation this machine.

## ASSEMBLY:

### Lifting the Handle bar & Adjusting Handle's height(See Fig. A1,A2)

Press and hold quick-release button during operation.

### Assembling the grass collection bag (See Fig. B)

#### Assembling the grass collection bag to the lawn mower (See Fig. C1, C2, C3)

**NOTE:** Depress the grass collection bag slightly to ensure that it is completely installed.

**NOTE:** Push the mulching-bag switch lever to open the mulching outlet before fitting the grass collection bag.

#### Assembling the side-discharge chute (See Fig. D1, D2)



Lift the Side-discharge cover to assemble the side-discharge chute.





**NOTE:** Remember to remove the grass collection bag firstly and then push the mulching-bag switch lever to close the mulching outlet before assembly.

#### Checking the battery charge condition (See Fig. E1)

**NOTE:** Fig. E1 only applies for the battery pack with battery indicator light.

The battery level can be determined by pressing the power indicator button beside the battery lights. Press the button before and after each use to check the battery.

Remarks	LED-light	Battery condition
Five green lights are illuminated.		70% ≤ Power level ≤ 100%
Four green lights are illuminated.		50% ≤ Power level < 69%

Three green lights are illuminated.		35% ≤ Power level < 49%
Two green lights are illuminated.		20% ≤ Power level < 34%
One green light are illuminated.		10% ≤ Power level < 19%
No light is illuminated.		Power level < 10%

#### Charging the battery pack (See Fig. E2)

- Your battery pack is partly charged and needs to be fully charged before first use.

- More details can be found in charger's manual.

**NOTE:** Each battery must be fully charged before the first mow. Always fully charge the two batteries.

#### Installing & removing the battery pack (See Fig. F1, F2)

**NOTE:** Depress the battery release button to release battery pack(s) from your tool. After recharging, insert the battery pack into tool's battery compartment until you hear a "click". A simple push and slight pressure will be sufficient.

**NOTE:** Front battery port is the position of powering while rear battery port is the position of storing spare battery pack.

#### Checking the power indicator light (See Fig. F3)

Press the switch button for battery indicator light and the power indicator light will be on.

# OPERATION

### Starting and Stopping (See Fig. G1, G2)

Press the Safety lock-out button, then the pull Operating bail to start. Release the operating bail to stop.

**NOTE:** For starting, press both the Safety lock-out button and the operating bail at the same time. Place the Mulch-Bag lever in the bag

position after each use. (See Fig. C1)

## Operating the self-propel system (See Fig. H)

Press the Safety lock-out button, then push the Self-propel speed-control lever to operate.

**NOTE:** To activate self-propel, press both the Safety lock-out button and the Self-propel speed-control lever at the same time.

## MULCHING MOWING TIPS

While mulching, your new mower is designed to cut the grass clippings into small pieces and distribute them back into the lawn. Under normal conditions, the mulched grass will biodegrade quickly and deliver nutrients to the lawn. Please review the following recommendations for optimum mulching performance.

- 1) Avoid mowing when the grass is wet from rain or dew. Wet grass may form clumps which interfere with the mulching action and reduce the runtime. The best time to mow the grass is in the late afternoon when the grass is dry and the newly cut area will not be exposed to direct sunlight.
- 2) For the best mulching performance, set the cutting height to remove about one third of the grass blade length, ideally no more than 40mm at one time. If the lawn is overgrown, it may be necessary to increase the cutting height to reduce the pushing effort and prevent overloading the motor. For extremely heavy mulching, it is advisable to first cut at a high cut height setting, and then re-cut to the final cut height. Otherwise, make narrower cuts and mow slowly.
- 3) For the best performance, keep the mower housing free of built-up grass. From time to time turn off mower and wait for the blades to come to a complete stop. Remove the batteries and turn mower on its side. Using an object such as a stick, wipe out any accumulation of grass around the blade area. Be careful of the sharp edges of the blade. Ensure to clean the blade area often when cutting wet or new grass and every time after the machine is used.
- 4) Certain types of grass or grass conditions may require that an area be mulched a second time to fully disperse the grass throughout the lawn. If cutting a second time, it is advisable to cut perpendicular (across) the first cut pattern. **DO NOT CHANGE CUT PATTERN IN ANY WAY THAT WOULD CAUSE MOWING DOWN A HILL.**
- 5) Change your cutting pattern from week to

week. This will help prevent matting and graining of the lawn.

- 6) Do not mow on a slope that has an angle of greater than 15°.

## CUTTING AREA

The cutting area can be affected by several factors, such as cutting height, lawn humidity, grass length and density. Besides, starting and stopping the mower too many times during operation will reduce the cutting area.


It is ideal for mowing 1/4 acre to 1/2 acre lot sizes.

### TIPS:

- 1) It is recommended to mow your lawn more frequently, walk at normal pace, and not to start/stop the mower too often during operation.
- 2) For best performance, please ensure use two fully charged battery packs at the same time and always cut off 1/3 or less of the grass height.
- 3) Walk slowly when cutting long grass, so as to have more effective cutting and properly discharge the clippings.
- 4) Avoid cutting wet grass, otherwise it will stick to the underside of the deck and the clippings cannot be collected or discharged properly.
- 5) A higher cutting height shall be applied to new or thick grass and it will extend the battery duration.

## Adjusting the cutting height (See Fig. I)


Press and hold Cutting-height adjustment lever. Adjust the cutting height up and down.

 **WARNING!** Stop, release operating bail and wait until the motor stops before adjusting height. The blades continue to rotate after the machine is switched off, a rotating blade can cause injury. Do not touch rotating blades.

## Opening the Led headlight (See Fig. J)

Press the switch button for Led headlight.

## Removing/emptying grass collection bag (See Fig. K1, K2)


 **WARNING!** Always check the safety flap close the discharge outlet before using. Never lift the safety flap when the lawn mower is being used without fitted grass collection bag.

## AFTER OPERATION:

### Storage (See Fig. L1, L2)

Stop the mower and remove the batteries. Clean the exterior of the machine thoroughly using a soft brush and cloth. Do not use water, solvents or polishes. Remove all grass and debris, especially from the ventilation slots. Turn the machine on its side and clean the blade area. If grass cuttings are compacted in the blade area, remove with a wooden or plastic implement. Store the machine in a dry place. Do not place other objects on top of the machine. To aid storage, Press and hold quick-release button and fold the handle bar.

## MAINTENANCE

 **WARNING:** Stop the mower and remove the batteries before removing the grass collection bag.

**NOTE:** To ensure long and reliable service, perform the following maintenance procedures regularly. Check for obvious defects such as a loose, dislodged or a damaged blade, loose fittings, and worn or damaged components. Check that the covers and guards are all undamaged and are correctly attached to mower. Carry out any necessary maintenance or repairs before operating mower. If the mower should happen to fail despite regular maintenance, please call our customer helpline for advice.

### BLADE SHARPENING

**KEEP BLADE SHARP FOR BEST MOWER PERFORMANCE. A DULL BLADE DOES NOT CUT GRASS CLEANLY OR MULCH PROPERLY.**

**WEAR PROPER EYE PROTECTION WHILE REMOVING, SHARPENING, AND INSTALLING BLADE.**

Sharpening the blade twice during a mowing season is usually sufficient under normal circumstances. Sand causes the blade to dull quickly. If your lawn has sandy soil, more frequent sharpening may be required.

**REPLACE BENT OR DAMAGED BLADE IMMEDIATELY.**

### WHEN SHARPENING THE BLADE (See Fig. M)

1. Make sure blade remains balanced.
2. Sharpen blade at the original cutting angle.
3. Sharpen cutting edges on both ends of blade to keep it balanced, removing equal amounts

of material from both ends.

### NOTE:

1. Be sure the mower is turned off and remove the batteries.
2. Place the mower in stand up storage mode.

### BLADE BALANCING (See Fig. N)

Check balance of blade by placing center hole in blade N-1 over a screwdriver shank N-2, clamped horizontally in a vise N-3. If either end of the blade rotates downward, file that end. Blade is properly balanced when neither end drops.

### BLADE MAINTENANCE (See Fig.O1, O2)

Replace your Mower Blade after 50 hours mowing or 2 years, whichever ever is the sooner-regardless of condition.

Follow these procedures to remove and replace the Blade. You will need garden gloves (not provided) and a spanner wrench (not provided) to remove the Blade. Make sure batteries are not installed. Wedge a block of wood between the blade and the mower deck to prevent the blade from turning and unscrew the Blade Bolt counter-clockwise using a spanner wrench, and then remove the Blade.

To re-assemble, position the Blade with the cutting edges towards the ground. Then securely tighten the Blade Bolt.

## FOR BATTERY TOOLS

The ambient temperature range for the use and storage of tool and battery is 0°C-45°C (32°F-113°F).

The recommended ambient temperature range for the charging system during charging is 0°C-40°C (32°F-104°F).

# TROUBLESHOOTING

PROBLEM	SOLUTION
1. Mower doesn't run when Operating Bail is activated.	<p>A. Check to make sure that Safety lock-out button is being completely pushed.</p> <p>B. Release Operating Bail to turn mower off. Remove the batteries, turn mower over and check that blade is free to turn. If not free, return to an authorized servicer. Blade should turn freely.</p> <p>C. Has battery been fully charged? Plug in charger and wait for green light to come on.</p> <p>D. For starting, press both the Safety lock-out button and the Operating bail at the same time. (See Fig. G1)</p>
2. Mower doesn't run when Self propel Speed-Control Lever is activated.	<p>A. To activate self-propel, press both the Safety lock-out button and the Self-propel speed-control lever at the same time. (See Fig. H)</p>
3. Motor stops while mowing.	<p>A. Release Operating Bail to turn mower off. Remove the batteries, turn mower over to check if mower is plugged with grass debris, remove debris from blade rotation area. Then, check that blade is free to turn. If not free, return to an authorized servicer. Blade should turn freely.</p> <p>B. Raise cutting height of wheels to highest position and start mower.</p> <p>C. Has battery been fully charged? Plug in charger and wait for green light to come on.</p> <p>D. Avoid overloading the mower. Slow down the cutting pace by pushing mower slower or raise the cut height. Or both.</p>
4. Mower runs but cutting performance is unsatisfactory, or does not cut entire lawn.	<p>A. Has battery been fully charged? Plug in charger and wait for green light to come on."</p> <p>B. Release Operating Bail to turn mower off. Remove the batteries. Turn mower over and check: Blade for sharpness - Keep blade sharp. Deck and discharge chute for clogging.</p> <p>C. Wheel height adjustment may be set too low for grass condition. Raise cutting height.</p>
5. Mower is too hard to push.	<p>A. Raise cutting height to reduce deck drag on grass. Check each wheel for free rotation.</p>
6. Mower is abnormally noisy and vibrates.	<p>A. Release Operating Bail to turn mower off. Remove the batteries. Turn mower on side and check blade to ensure it has not been bent or damaged. If blade is damaged, replace with a replacement blade. If the underside of the deck is damaged return mower to an Authorized service center.</p> <p>B. If there is no visible damage to the blade and the mower still vibrates: Release Operating Bail to turn mower off, and remove the batteries, and remove blade. Rotate blade 180 degrees and retighten. If mower still vibrates, return the mower to an authorized service center.</p>

7. Battery charger LED's not on.	A. Check plug connection. B. Replace charger.
8. Battery charger LED does not flip to green.	A. Battery needs to be diagnosed. Take to authorized service center.
9. Mower not picking up clippings with the Grass Collection Bag.	A. Place Mulching / Side Discharge -Bagging Switch Lever into the bagging position (chute no blocked by plate). B. Chute clogged. Release Operating Bail to turn mower off. Remove the batteries. Clear chute of grass clippings. C. Too much cut grass. Raise cutting height of wheels to shorten length of the cut. D. Bag full. Empty bag more often.
10. When mulching there are clippings visible.	A. Too much cut grass. Raise cutting height of wheels to shorten length of the cut. Do not cut off more than 1/3 of total length. B. Check blade for sharpness. Always keep blade sharp. C. Reduce speed if grass is high or extremely thick.
11. Low or diminished run-time after many uses	A. Return to Authorized Service location - may need new battery.
12. The battery charger LED flashes red and the battery can't be charged.	A. The battery overheats after continuous use. Remove battery from the charger and allow it to cool to 42°C or less.
13. If the Mulching-Bag Lever will not move.	A. Remove battery packs. B. Place the mower in the upright storage position. C. Clean grass off of the mulching plate.(See Fig. P) D. After cleaning grass from from mulch plate and mulch plate groove, the edges of the mulch plate and the groove may be lubricated with a household aerosol lubricant such as WD-40 or PAM.





**Kress** 

Copyright © 2022, Positec. All Rights Reserved.