

Kress

Commercial



60V Commercial Handheld Blower	EN	P02
Soplador manual de 60 V para uso comercial	ES	P12
Souffleur à main commercial 60V	F	P22
KC510 KC510.X		

TABLE OF CONTENTS

Introduction.....	2
Component List.....	3
Product Safety.....	4
Assembly & Operation.....	7
Cleaning	8
Storage	8
Troubleshooting.....	10
Technical Data.....	11

INTRODUCTION

Dear Customer,

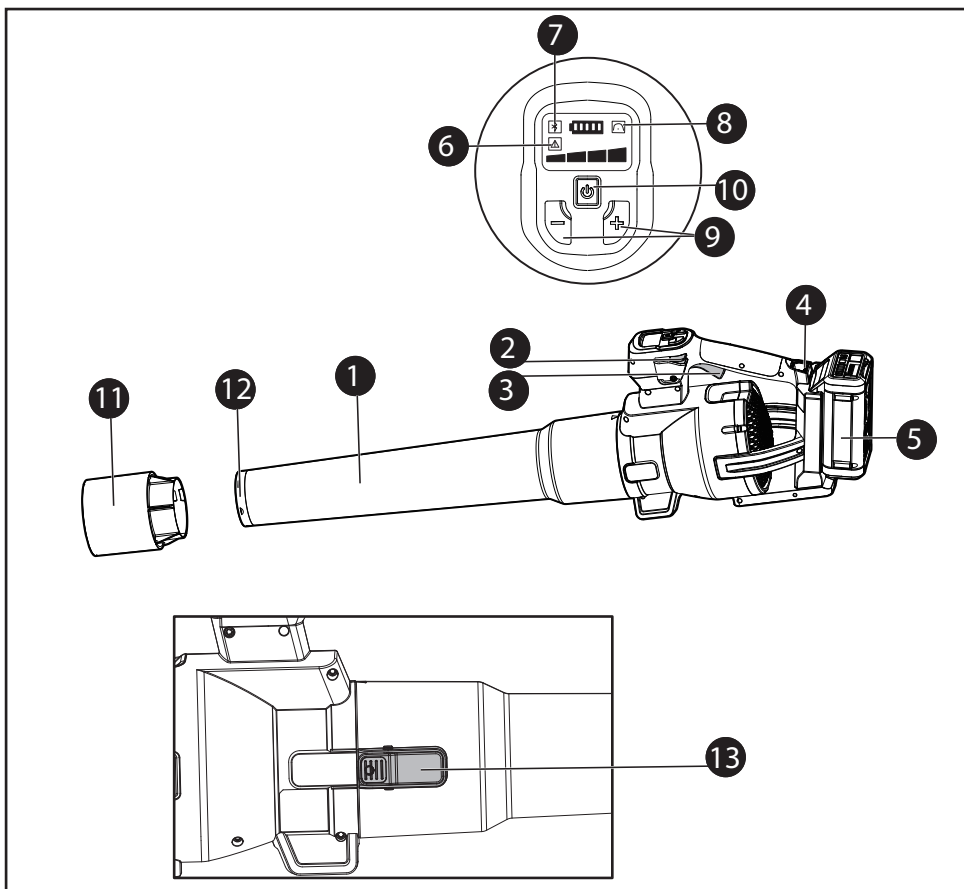
Thank you for buying this Kress Commercial product. We are dedicated to developing high quality products to meet your commercial landscaping requirements.

The Kress brand is synonymous with premium quality service. Over the years of your product's life, if you have any questions or concerns about your product, please contact your dealer or our Customer Service Team for assistance.

We are confident you will enjoy working with your Kress product for years to come.

INTENDED USE

This machine is intended for blowing leaves, grass, paper products and other similar materials.




COMPONENT LIST

- | | |
|-----|-------------------------------|
| 1. | BLOWER TUBE |
| 2. | CRUISE CONTROL BUTTON |
| 3. | POWER TRIGGER |
| 4. | BATTERY RELEASE BUTTON |
| 5. | BATTERY * |
| 6. | WARNING SYMBOL |
| 7. | BLUETOOTH SYMBOL |
| 8. | CRUISE CONTROL SYMBOL |
| 9. | SPEED CONTROL |
| 10. | ON/OFF BUTTON |
| 11. | SPREAD NOZZLE |
| 12. | METAL SCRAPER TIP |
| 13. | TUBE RELEASE BUTTON |


* Not all the accessories illustrated or described are included in standard delivery.

PRODUCT SAFETY


 **WARNING: Some dust created by power sanding, sawing, grinding, drilling and other construction activities contains chemicals known to the state of California to cause cancer, birth defects or other reproductive harm. Some examples of these chemicals are:**

- Lead from lead-based paints;
- Crystalline silica from bricks and cement and other masonry products;
- Arsenic and chromium from chemically-treated lumber.

Your risk from these exposures varies, depending on how often you do this type of work. To reduce your exposure to these chemical: work in a well ventilated area, and work with approved safety equipment, such as those dust masks that are specially designed to filter out microscopic particles.

 **WARNING: This product can expose you to chemicals including lead and Di (2-ethylhexyl) phthalate (DEHP) which are known to the State of California to cause cancer and birth defects or other reproductive harm. For more information go to www.P65Warnings.ca.gov.**

IMPORTANT SAFETY INSTRUCTIONS

 **WARNING: Read all safety warnings and instructions. Failure to follow the warnings and instructions may result in electric shock, fire and/or serious injury.**

FOR ALL POWER EQUIPMENT

- 1) Avoid Dangerous Environment -Do not operate the machine in rain or wet conditions. This may increase the risk of electric shock.
- 2) Keep Children Away - All visitors should be kept at a distance from work area.
- 3) Dress Properly - Do not wear loose clothing or jewelry. They can be caught in moving parts. Use of rubber gloves and substantial footwear is recommended when working outdoors. Wear protective hair covering to contain long hair.
- 4) Use Safety Glasses - Always use face or dust mask if operation is dusty.
- 5) Use Right Power equipment - Do not use power equipment for any job except that for which it is intended.
- 6) Don't Force Power Equipment - It will do the job better and with less likelihood of a risk of injury

at the rate for which it was designed.

- 7) Don't Overreach - Keep proper footing and balance at all times.
- 8) Stay Alert - Watch what you are doing. Use common sense. Do not operate power equipment when you are tired.
- 9) Store Idle Power equipment Indoors - When not in use, power equipment should be stored indoors in dry, and high or locked-up place - out of reach of children.
- 10) Maintain Power equipment With Care - Follow instructions for lubricating and changing accessories. Keep handles dry, clean, and free from oil and grease.
- 11) Check Damaged Parts - Before further use of the power equipment, a guard or other part that is damaged should be carefully checked to determine that it will operate properly and perform its intended function. Check for alignment of moving parts, binding of moving parts, breakage of parts, mounting, and any other condition that may affect its operation. A guard or other part that is damaged should be properly repaired or replaced by an authorized service center unless indicated elsewhere in this manual.
- 12) Do not operate the machine in rain or wet conditions. This may increase the risk of electric shock. If the machine becomes wet in the rain during operation, the machine and the battery should be dried before storing or charging. Remove the battery and reinsert it if the machine fails to turn on.Keep battery connection free of dirt and debris, and clean with a soft and dry brush or cloth.

FOR ALL BATTERY – OPERATED GARDENING POWER EQUIPMENT

1. Prevent unintentional starting. Ensure the switch is in the off-position before connecting to battery pack, picking up or carrying the power equipment. Carrying the power equipment with your finger on the switch or energizing power equipment that have the switch on invites accidents.
2. Disconnect the battery pack from the power equipment before making any adjustments, changing accessories, or storing power equipment. Such preventive safety measures reduce the risk of starting the power equipment accidentally.
3. Recharge only with the charger specified by the manufacturer. A charger that is suitable for one type of battery pack may create a risk of fire when used with another battery pack.
4. Use power equipment only with specifically designated battery packs. Use of any other battery packs may create a risk of injury and fire.
5. When battery pack is not in use, keep it away from other metal objects, like paper clips, coins,

keys, nails, screws or other small metal objects, that can make a connection from one terminal to another. Shorting the battery terminals together may cause burns or a fire.

6. Under abusive conditions, liquid may be ejected from the battery; avoid contact. If contact accidentally occurs, flush with water. If liquid contacts eyes, additionally seek medical help. Liquid ejected from the battery may cause irritation or burns.
7. Do not use a battery pack or power equipment that is damaged or modified. Damaged or modified batteries may exhibit unpredictable behavior resulting in fire, explosion or risk of injury.
8. Do not expose a battery pack or power equipment to fire or excessive temperature. Exposure to fire or temperature above 130 °C may cause explosion.
9. Follow all charging instructions and do not charge the battery pack or power equipment outside of the temperature range specified in the instructions. Charging improperly or at temperatures outside of the specified range may damage the battery and increase the risk of fire.
10. Have servicing performed by a qualified repair person using only identical replacement parts. This will ensure that the safety of the product is maintained.
11. Do not modify or attempt to repair the power equipment or the battery pack (as applicable) except as indicated in the instructions for use and care.

ADDITIONAL SAFETY WARNINGS

IMPORTANT SAFETY INSTRUCTIONS

When using an electrical power equipment, basic precautions should always be followed, including the following:

READ ALL INSTRUCTIONS BEFORE USING THIS POWER EQUIPMENT



WARNING - TO REDUCE THE RISK OF FIRE, ELECTRIC SHOCK, OR INJURY:

1. To reduce the risk of electric shock – Do not use on wet surfaces. Do not expose to rain. Store indoors.
2. Do not allow to be used as a toy. Close attention is necessary when used by or near children.
3. Use only as described in this manual. Use only manufacturer's recommended attachments.
4. If power equipment is not working as it should, has been dropped, damaged, left outdoors, or dropped into water, return it to a service center.
5. Keep hair, loose clothing, fingers, and all parts of body away from openings and moving parts.
6. Do not charge the unit outdoors.
7. Use only the charger supplied by the manufacturer to recharge.
8. Do not incinerate the power equipment even if it is severely damaged. The batteries can explode in a fire.
9. Do not put any object into openings. Do not use with any opening blocked; keep free of dust, lint, hair, and anything that may reduce air flow.
10. Do not handle plug or power equipment with wet hands.
11. Do not leave power equipment when plugged in. Unplug from outlet when not in use and before servicing.
12. Turn off all controls before unplugging.
13. Use extra care when cleaning on stairs.

SAFETY WARNINGS FOR BATTERY PACK

- a) Do not dismantle, open or shred battery pack.
- b) Do not expose battery pack to heat or fire. Avoid storage in direct sunlight.
- c) Do not short-circuit a battery pack. Do not store battery packs haphazardly in a box or drawer where they may short-circuit each other or be short-circuited by other metal objects. When battery pack is not in use, keep it away from other metal objects, like paper clips, coins, keys, nails, screws or other small

metal objects, that can make a connection from one terminal to another. Shorting the battery terminals together may cause burns or fire.

- d) **Do not subject battery pack to mechanical shock.**
- e) **In the event of battery leaking, do not allow the liquid to come in contact with the skin or eyes. If contact has been made, wash the affected area with copious amounts of water and seek medical advice.**
- f) **Do not use any battery pack which is not designed for use with the equipment.**
- g) **Keep battery pack out of the reach of children.**
- h) **Always purchase the battery pack recommended by the device manufacturer for the equipment.**
- i) **Keep battery pack clean and dry.**
- j) **Wipe the battery pack terminals with a clean dry cloth if they become dirty.**
- k) **Battery pack need to be charged before use. Always use the correct charger and refer to the manufacturer's instructions or equipment manual for proper charging instructions.**
- l) **Do not leave battery pack on prolonged charge when not in use.**
- m) **After extended periods of storage, it may be necessary to charge and discharge the battery pack several times to obtain maximum performance.**
- n) **Recharge only with the charger specified by Kress. Do not use any charger other than that specifically provided for use with the equipment.**
- o) **Retain the original product literature for future reference.**
- p) **Use only the battery pack in the application for which it was intended.**
- q) **Remove the battery pack from the equipment when not in use.**
- r) **Dispose of properly.**
- s) **Do not mix cells of different manufacture, capacity, size or type within a device.**
- t) **Keep the battery away from microwaves and high pressure.**

User manual requirements for wireless product

- a) This device complies with part 15 of the FCC Rules. Operation is subject to the following two conditions:
 (1) This device may not cause harmful interference, and
 (2) This device must accept any interference received, including interference that may cause undesired operation.
- b) Caution: Changes or modifications to this unit not expressly approved by the party responsible for compliance could void the user's authority to operate the equipment.
- c) This device contains licence-exempt transmitter(s)/receiver(s) that comply with Innovation, Science and Economic Development





Canada's licence-exempt RSS(s). Operation is subject to the following two conditions:








- (1) This device may not cause interference.
- (2) This device must accept any interference, including interference that may cause undesired operation of the device.

- d) NOTE: This equipment has been tested and found to comply with the limits for a Class B digital device, pursuant to part 15 of the FCC Rules. These limits are designed to provide reasonable protection against harmful interference in a residential installation. This equipment generates, uses and can radiate radio frequency energy and, if not installed and used in accordance with the instructions, may cause harmful interference to radio communications. However, there is no guarantee that interference will not occur in a particular installation. If this equipment does cause harmful interference to radio or television reception, which can be determined by turning the equipment off and on, the user is encouraged to try to correct the interference by one or more of the following measures:
 - Reorient or relocate the receiving antenna.
 - Increase the separation between the equipment and receiver.
 - Connect the equipment into an outlet on a circuit different from that to which the receiver is connected.
 - Consult the dealer or an experienced radio/TV technician for help.

SAVE THESE INSTRUCTIONS

SYMBOLS

	To reduce the risk of injury, user must read instruction manual
	Warning
	Wear ear protection
	Wear eye protection


	Keep bystanders away
	Warning of hazard
	Remove battery from the socket before carrying out any adjustment, servicing or maintenance.
	Wear protective gloves
	Batteries may enter water cycle if disposed improperly, which can be hazardous for ecosystem. Do not dispose of waste batteries as unsorted municipal waste.
	Do not burn
	For Li-Ion battery, battery must be recycled



call2recycle®

POSITEC Inc. has established a partnership with the RBRC Corporation to recycle any Positec batteries with the RBRC-call2recycle seal. For environmental protection, please do not discard batteries in the trash. After the batteries' life cycle is ended, then please call 1-800-822-8837 for a free service that will properly dispose of the battery.

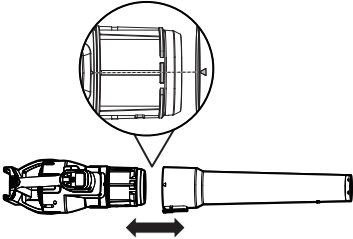
ASSEMBLY & OPERATION

 **NOTE:** Before using the tool, read the instruction book carefully.

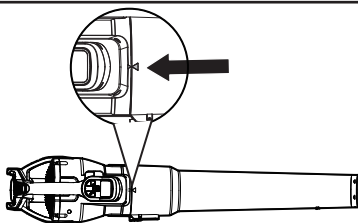
BEFORE OPERATION:

Assemble the blower tube and the spread nozzle (See Fig.A1,A2,A3)

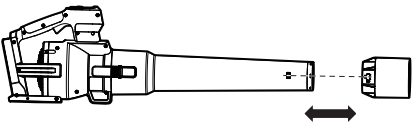
A1



A2



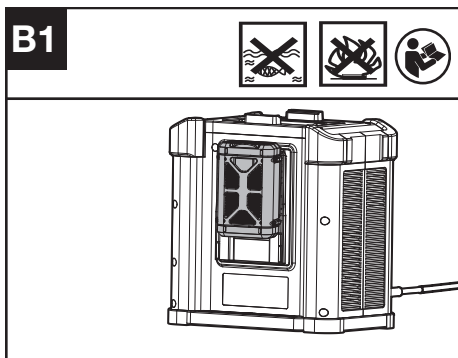
A3



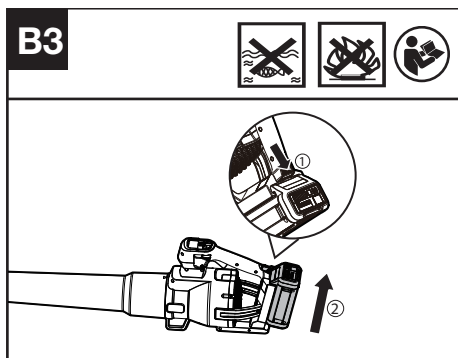
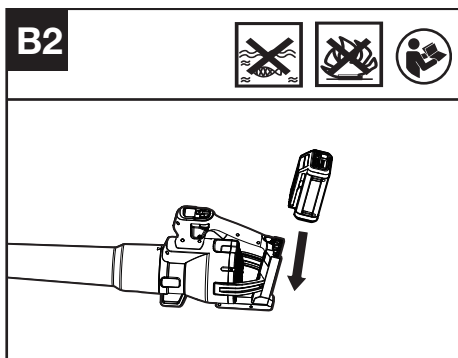
1. Align the " Δ " on the blower tube and blower nozzle.
2. Push the blower tube onto the housing until the tube release catch fully engages with the tube.
3. Align the hook of the spread nozzle and the blower tube.

OPERATION

Charge your battery (See Fig. B1)

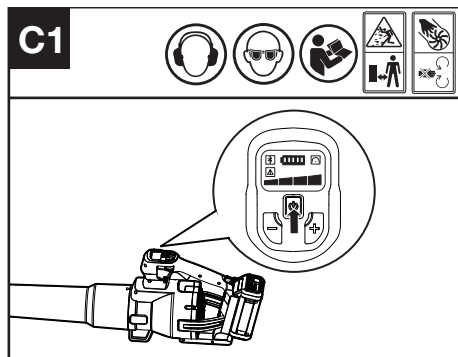



Install /Remove the battery (See Fig. B2, B3)



1. Slide the battery pack into the battery compartment until you hear a click.
2. Press the battery pack release button and press the battery pack to unlock it more easier.

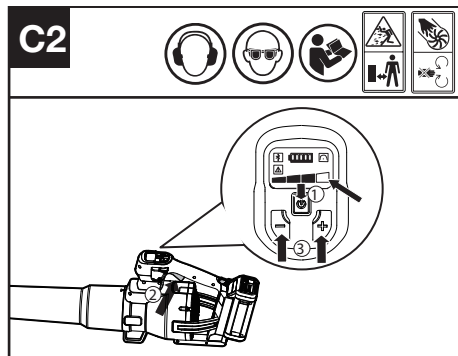
To start (See Fig. C1)



1. Press the  for 0.5 seconds start the product.

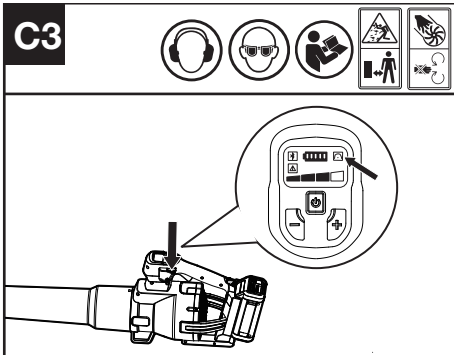
NOTE: When pressing the power button, please do not press the trigger, otherwise it will result in a fault alarm.


Adjust the speed control (See Fig. C2)



1. Press on/off button to activate the blower, then press the trigger to operate the blower. Press +/- to choose proper level of air force. The blower will reach the MAX speed when the four lights are illuminated.

Push the Cruise control button to set the selected airflow, the  will light up (See Fig. C3)



1. Press on/off button to activate the blower, then press the trigger to operate the blower. Press the cruise control button and symbol " " lights up, then the blower will be at the current speed even if you release the trigger.
2. You could press trigger to have bigger air force within the chosen level limit and release the trigger, the speed will return to the cruise speed. Press cruise control button to deactivate the cruise function when needed.

CLEANING

1. Do not use aggressive detergents or solvents. Clean the machine after use with a damp cloth dipped in mild detergent.
2. Keep battery connection free of dirt and debris, and clean with a soft and dry brush or cloth.
3. Do not spray water onto the motor and electrical components.
4. Do not use pressure washer to clean your machine.

STORAGE

1. Remove the battery pack from the blower before storage.
2. Store the blower and the battery in a dry and secure place that is inaccessible to children and other unauthorized people. Remove the attachment if no use for a long time.
3. Store the battery only within a temperature range between 41 °F (5°C) and 77 °F (25°C). As an example, do not leave the battery in the car in summer time.
4. Clean the exterior of the machine thoroughly using a soft brush and cloth. Do not use water, solvents or polishes. Remove all grass and debris, especially from the ventilation slots.
5. Store the machine in a dry place. Do not place other objects on top of the machine.

6. If the machine becomes wet in the rain during operation, the machine and the battery should be dried before storing or charging. Remove the battery and reinsert it if the machine fails to turn on.

For Battery tools

The recommended ambient temperature range for discharging is -4°F~113°F (-20°C~45°C).

The recommended ambient temperature range for the charging system during charging is 41°F~104°F (5°C~40°C).

TROUBLESHOOTING

The following table gives problems and actions that you can perform if your machine does not operate correctly.



WARNING: Switch the machine off and remove the battery prior to any troubleshooting.

60V Commercial Handheld Blower


Symtom indicator light display	Possible Cause	Remedy
Flashing Red Light	The machine has failure in operation	Charge and replace battery, then restart it. If still not working, please contact service agent.
Flashing Yellow Light	Power-On Start/Switch Reset Failure	Restart the machine.Press the presence switch first and then pull the throttle trigger.
	Overcurrent protection	Clean the air inlet, and let the machine cool down for a few moment , then restart.
	Locked rotor protection	Clean the air inlet, and let the machine cool down for a few moment , then restart.
	MOS temperature protection	Place the battery pack in a suitable temperature environment for some time to wait for the temperature to stabilize, then restart it.
	Battery pack under-voltage/deep under-voltage	Charge the battery pack before use.
	Battery Pack Overheating	Allow the battery to cool down for a while, then restart it.
	Battery Pack Underheating	Place the battery pack in a suitable temperature environment for some time to wait for the temperature to stabilize, then restart it.

BATTERY

Problems	Possible Causes	Corrective Action
Error LED lit	The battery is discharged	Charge the battery and check the charger for proper operation.If battery fails to charge, contact your Service Agent.
	Temperature issue.	Use the battery in surroundings where temperatures are between -4 °F to 113 °F (-20 °C to 45 °C) for discharge.
	Others	Contact your Service Agent.

TECHNICAL DATA

Type Designation: **KC510 KC510.X** (5 -designation of machinery, representative of Cordless Blower)

	KC510 KC510.X **
Voltage	60 V  MAX ***
Motor type	Brushless
Air force	22 N
MAX Air volume	850 CFM (1444 m³/h)
MAX Air speed	185 MPH (83 m/s)
Noise	59 dB @15m
Degree of protection	IPX5
Machine weight (Bare tool)	5.74 lbs (2.6 kg)

** X may be followed by one or two characters. All models are the same except model number and trademark. The suffix in models may be number from “1” to “999” or English letter “A” to “Z” or “M1” to “M9” which means different package or the various of accessories packed in the package. The suffix “9” means bare tool without battery pack.

*** Voltage measured without workload. Initial battery voltage reaches maximum of 60 volts. Nominal voltage is 54 volts.

SUGGESTED BATTERIES AND CHARGERS

Battery	Amp	Charger	Amperage	EN
KAC800	4.0 Ah	KAC840	25-30 A	

We recommend that you purchase your accessories from the same Dealer that sold you the tool. Refer to the accessory packaging for further details. Your Dealer can assist you and offer advice.

TECHNICAL DATA FOR BATTERY PACK (OPTIONAL)

Frequency bands for Bluetooth	2400-2483.5 MHz
Maximum Transmitted Power for Bluetooth	8 dBm

Positec USA, Inc. Charlotte, NC 28216 USA

TABLA DE CONTENIDO

Introducción.....	12
Lista de componentes.....	13
Seguridad del producto.....	14
Ensamble y funcionamiento.....	17
Limpieza.....	19
Almacenamiento.....	19
Solución de problemas.....	20
Datos técnicos.....	21

INTRODUCCIÓN

Estimado Cliente,

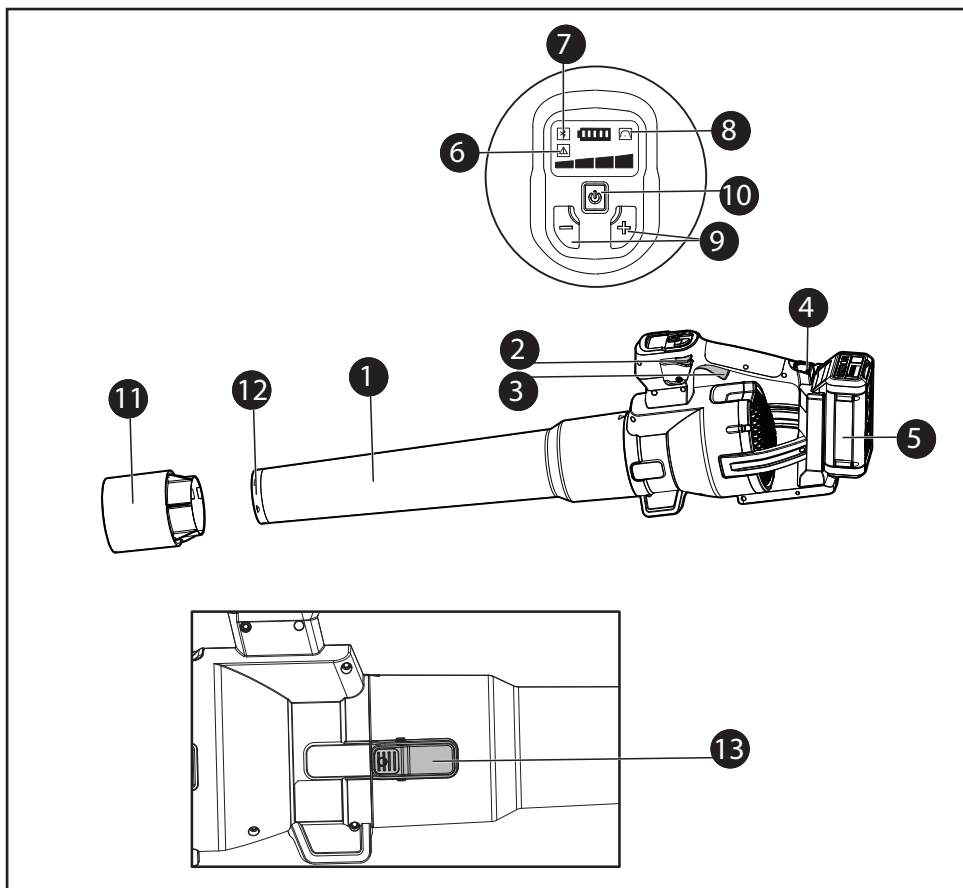
Gracias por comprar este producto Kress Commercial. Nos dedicamos a desarrollar productos de alta calidad para satisfacer sus necesidades de paisajismo comercial.

Kress respalda un servicio de calidad superior. Durante la vida útil de su producto, si tiene alguna pregunta o duda sobre su producto, póngase en contacto con su distribuidor o con nuestro equipo de atención al cliente para que reciba asistencia.

Esperamos que disfrute trabajar con su producto Kress.

USO PREVISTO

Esta máquina está destinada a soplar hojas, hierba, papel y materiales similares.



LISTA DE PARTES

- | | |
|-----|---|
| 1. | TUBO SOPLADOR |
| 2. | BOTÓN DE CONTROL DE MARCHA |
| 3. | GATILLO DE POTENCIA |
| 4. | LENGÜETAS DE LIBERACIÓN DE LAS BATERÍAS |
| 5. | PAQUETE DE BATERÍAS * |
| 6. | SÍMBOLO DE ADVERTENCIA |
| 7. | SÍMBOLO DE BLUETOOTH |
| 8. | SÍMBOLO DE CONTROL DE MARCHA |
| 9. | CONTROL DE VELOCIDAD |
| 10. | INTERRUPTOR DE ENCENDIDO/APAGADO |
| 11. | BOQUILLA DIFUSORA |
| 12. | PUNTA RASPADORA DE METAL |
| 13. | BOTÓN DE LIBERACIÓN DEL TUBO |

* No todos los accesorios ilustrados o descritos se incluyen junto con el producto estándar.

INSTRUCCIONES DE SEGURIDAD

SEGURIDAD DEL PRODUCTO

⚠️ ADVERTENCIA: El polvo originado por la utilización de herramientas motorizadas contiene químicos que, según el Estado de California, causan cáncer, defectos congénitos y otros daños reproductivos. Algunos ejemplos de esos productos químicos son:

- El plomo de las pinturas a base de plomo;
- La sílice cristalina de los ladrillos, del cemento y de otros productos de albañilería;
- El arsénico y el cromo de la madera tratada químicamente.

El riesgo que se corre a causa del contacto con esos productos varía según la frecuencia con que usted realice este tipo de trabajos. Con el fin de reducir su exposición a esas sustancias químicas: trabaje en un área bien ventilada; utilice un equipo de seguridad adecuado, tal como una máscara contra el polvo especialmente diseñada para filtrar partículas microscópicas.

⚠️ ADVERTENCIA: Este producto puede exponerlo a sustancias químicas, como plomo y di (2-etilhexilo) ftalato (DEHP), que el estado de California reconoce como causantes de cáncer y defectos de nacimiento u otros daños reproductivos. Para más información visite www.P65Warnings.ca.gov.

INSTRUCCIONES DE SEGURIDAD

⚠️ ADVERTENCIA: Lea y comprenda todas las instrucciones. El no seguir todas las instrucciones a continuación puede ocasionar descargas eléctricas, incendios y/o heridas graves.

PARA TODAS LAS HERRAMIENTAS:

- 1) Evite ambientes peligrosos. No utilice la máquina en condiciones de lluvia o humedad. Esto puede aumentar el riesgo de descarga eléctrica.
- 2) Mantenga alejados a los niños. Todos los visitantes deben mantenerse a distancia del área de trabajo.
- 3) Vístase apropiadamente. No use ropas sueltas o alhajas, ya que pueden quedar atrapadas en las piezas móviles. Cuando se trabaja al aire libre se recomienda el uso de guantes de goma y calzado resistente. Emplee protección adecuada para contener el cabello largo.

- 4) Utilice gafas de seguridad. Emplee siempre máscara para la cara o máscara anti-polvo en operaciones donde se emite mucho polvo.
- 5) Utilice la herramienta correcta. Emplee la herramienta únicamente para la finalidad para la cual fue diseñada.
- 6) No fuerce la herramienta. Hará un trabajo mejor y más seguro a la velocidad para la cual fue diseñada.
- 7) No se extralimite. Manténgase firme y con buen equilibrio en todo momento.
- 8) Permanezca alerta. Ponga siempre atención en lo que está haciendo. Utilice el sentido común. No opere la herramienta cuando esté cansado.
- 9) Guarde las herramientas que no usa en lugares cerrados. Cuando no se encuentran en uso, las herramientas deben guardarse en un lugar seco, elevado o cerrado con llave, lejos del alcance de los niños.
- 10) Mantenga la herramienta con cuidado. Siga las instrucciones para la lubricación y el cambio de accesorios. Mantenga los mangos secos, limpios y libres de aceite y grasa.
- 11) Verifique las piezas dañadas. Las guardas protectoras u otras partes dañadas deben verificarse cuidadosamente antes de cualquier uso futuro de la herramienta, a fin de determinar si funcionarán correctamente y realizarán la función prevista. Compruebe que las piezas móviles se encuentren alineadas y correctamente ajustadas, que no haya rotura de piezas, de montaje o cualquier otra condición que pueda afectar su funcionamiento. Una guarda protectora u otra pieza que se encuentre dañada debe ser reparada o sustituida correctamente en un centro de servicio autorizado, a menos que en este manual de instrucciones se indique lo contrario.
- 12) No utilice la máquina en condiciones de lluvia o humedad. Esto puede aumentar el riesgo de descarga eléctrica. Si se moja con la lluvia durante el funcionamiento, la máquina y la batería deben secarse antes de guardarse o cargarse. Retire la batería y vuelva a insertarla si la máquina no se enciende. Mantenga la conexión de la batería libre de suciedad y residuos, y límpiela con un cepillo o paño suave y seco.

ADVERTENCIAS DE SEGURIDAD PARA LAS HERRAMIENTAS DE JARDINERÍA A BATERÍA:

1. Evite el encendido inadvertido. Asegúrese que el interruptor esté en la posición de apagado antes de conectar el paquete de batería, al levantar o transportar el aparato. Transportar el aparato con su dedo sobre el interruptor o energizar el aparato que tenga el interruptor encendido provoca accidentes.

2. Desconecte el paquete de batería del aparato antes de realizar cualquier ajuste, cambiar los accesorios, o guardar el aparato. Tales medidas preventivas de seguridad reducen el riesgo de encender el aparato por accidente.
3. Recargue únicamente con el cargador especificado por Kress. Un cargador que es adecuado para un tipo de paquete de batería puede crear un riesgo de incendio cuando se usa con otro paquete de batería.
4. Use los electrodomésticos sólo con paquetes de baterías específicamente diseñados. El uso de cualquier otro paquete de baterías puede crear un riesgo de lesiones e incendios.
5. Cuando la batería no esté en uso, manténgala alejada de otros objetos metálicos, como sujetadores de papel, monedas, llaves, clavos, tornillos u otros objetos metálicos pequeños, que puedan establecer una conexión de una terminal a otra. Poner en corto las terminales de la batería puede causar quemaduras o un incendio.
6. Bajo condiciones de abuso, puede expulsarse líquido de la batería; evite el contacto. Si ocurre contacto accidentalmente, lave con agua. Si el líquido entra en contacto con los ojos, busque ayuda médica adicional. El líquido expulsado de la batería puede causar irritación o quemaduras.
7. No use un paquete de batería o aparato dañado o modificado. Las baterías dañadas o modificadas pueden presentar un comportamiento impredecible que puede provocar un incendio, una explosión o un riesgo de lesiones.
8. No exponga la batería o el artefacto al fuego ni a temperaturas excesivas. La exposición al fuego o la temperatura por encima de 266 °F (130 °C) pueden causar una explosión.
9. Siga todas las instrucciones de carga y no cargue la batería o el dispositivo fuera del rango de temperatura especificado en las instrucciones. La carga incorrecta o a temperaturas fuera del rango especificado puede dañar la batería y aumentar el riesgo de incendio.
10. Pida que una persona de reparación calificada dé servicio usando únicamente partes de reemplazo idénticas. Esto garantizará que se mantenga la seguridad del producto.
11. No modifique ni intente reparar el aparato o el paquete de baterías (conforme sea aplicable), excepto como se indica en las instrucciones de uso y cuidado.

INFORMACIÓN DE SEGURIDAD ADICIONAL DE LA HERRAMIENTA

ADVERTENCIA

INSTRUCCIONES DE SEGURIDAD

Al utilizar una herramienta eléctrica, se deben tener en cuenta precauciones básicas, incluidas las siguientes:

LEA TODAS LAS INSTRUCCIONES ANTES DE UTILIZAR ESTA HERRAMIENTA

ADVERTENCIA – PARA REDUCIR EL RIESGO DE INCENDIO, DESCARGA ELÉCTRICA O LESIÓN:

1. Para reducir el riesgo de descarga eléctrica, no exponga el aparato a la lluvia. Consérvelo en un entorno interior. No lo utilice sobre superficies mojadas.
2. No permita que se utilice el aparato como un juguete. Preste atención si se utiliza por o en las cercanías de niños.
3. Utilice el aparato únicamente como se describe en el manual. Utilice sólo los componentes recomendados por el fabricante.
4. Si el aparato no funciona como debiera, se ha caído, queda en el exterior o se sumerge en agua, envíelo al departamento de servicio técnico.
5. Mantenga el pelo, las prendas holgadas, los dedos y todas las demás partes del cuerpo alejadas de las aberturas y partes móviles.
6. No cargue la unidad en exteriores.
7. Utilice sólo el cargador suministrado por el fabricante para realizar la recarga.
8. No incinere el producto incluso si presenta daños graves. Las baterías pueden explotar en un incendio.
9. No coloque ningún objeto sobre las aberturas. No utilice el aparato bloqueando ninguna abertura.

Mantenga el aparato limpio de polvo, hebras, pelo o cualquier otra cosa que pudiera reducir el flujo de aire.

10. No manipule el enchufe ni el aparato con las manos mojadas.
11. No abandone el aparato cuando se encuentre conectado. Desconéctelo de la toma si no se encuentra en uso y antes de repararlo.
12. Desactive todos los controles antes de desconectar.
13. Tenga especial cuidado si realiza la limpieza montado sobre una escalera.

ADVERTENCIAS DE SEGURIDAD GENERAL PARA EL PAQUETE DE BATERÍA

- a) No desensamble, abra o triture el paquete de batería.
- b) No exponga el paquete de batería a calor o fuego. Evite guardar a la luz directa del sol.
- c) No ponga en corto circuito el paquete de batería. No guarde el paquete de batería de forma aleatoria en una caja o cajón donde puedan ponerse en corto circuito entre sí o ponerse en corto circuito por otros objetos metálicos. Cuando el paquete de batería no esté en uso, manténgalo alejado de otros objetos metálicos, como sujetadores de papel, monedas, llaves, clavos, tornillos u otros objetos metálicos pequeños que puedan establecer una conexión de una terminal a otra. El corto circuito de las terminales de la batería puede causar quemaduras o incendios.
- d) No someta el paquete de batería a impacto mecánico.
- e) En el caso de fuga de la batería, no permita que el líquido entre en contacto con la piel o los ojos. Si hay contacto, lave el área afectada con bastante agua y busque atención médica.
- f) No use ningún paquete de batería que no esté diseñado para uso con el equipo.
- g) Mantenga el paquete de batería fuera del alcance de los niños.
- h) Siempre adquiera el paquete de batería recomendado por el fabricante del dispositivo para el equipo.
- i) Mantenga el paquete de batería limpio y seco.
- j) Limpie las terminales del paquete de batería con una tela seca limpia su se ensucian.
- k) El paquete de batería se necesita cargar antes del uso. Siempre use el cargador

correcto y consulte las instrucciones del fabricante o el manual del equipo para saber las instrucciones correctas de carga.

- l) No deje el paquete de batería en carga prolongada cuando no esté en uso.
- m) Después de periodos prolongados de almacenamiento, puede ser necesario cargar y descargar el paquete de batería varias veces para obtener el desempeño máximo.
- n) Recargue únicamente con el cargador especificado por Kress. No use cargadores que no sean los específicamente suministrados para uso con el equipo.
- o) Conserve la literatura el producto original para referencia futura.
- p) Sólo use el paquete de batería en la aplicación para la que está diseñado.
- q) Retire el paquete de batería del equipo cuando no esté en uso.
- r) Deséchelo adecuadamente.
- s) No mezcle celdas de diferente fabricación, capacidad, tamaño o tipo dentro del dispositivo.
- t) Mantenga la batería lejos de microondas y no la someta a altas presiones.

REQUISITOS DEL MANUAL DE USUARIO DEL PRODUCTO INALÁMBRICO

- a) Este dispositivo cumple con la Parte 15 de las Regulaciones de la FCC. Su utilización está sujeta a las dos condiciones siguientes:
 - (1) Este dispositivo no puede provocar interferencia dañina, y
 - (2) Este dispositivo debe admitir cualquier interferencia recibida, incluso interferencia que pueda provocar un funcionamiento no deseado.
- b) Precaución: Los cambios o modificaciones a esta unidad no autorizados expresamente por la parte responsable de la conformidad podrían anular la autoridad del usuario a utilizar este equipo.
- c) Este dispositivo contiene transmisores/receptores exentos de licencia que cumplen las RSS de exención de licencia del Ministerio de Industrias de Canadá. Su utilización está sujeta a las dos condiciones siguientes:
 - (1) Este dispositivo no puede provocar interferencia.
 - (2) Este dispositivo debe admitir cualquier interferencia, incluso interferencia que pueda provocar un funcionamiento no deseado del dispositivo.
- d) NOTA: Este equipo ha sido probado y se comprobó que cumple con los límites para un dispositivo digital Clase B, de conformidad con la Parte 15 de las Regulaciones de la FCC. Estos límites están diseñados para proporcionar una protección razonable contra las interferencias perjudiciales en una instalación residencial. Este equipo genera, usa y puede radiar energía de radiofrecuencias y, si no se instala y usa de acuerdo con las







instrucciones, puede provocar interferencia dañina a las radiocomunicaciones. No obstante, no hay garantía de que no causará interferencia en una instalación específica. Si este equipo provoca interferencia dañina a la recepción de radio o televisión, lo cual se puede determinar encendiendo y apagando el equipo, se alienta al usuario para que intente corregir la interferencia mediante una o más de las siguientes medidas:

- Reorientar o reubicar la antena receptora.
- Aumentar la separación entre el equipo y el receptor.
- Conectar el equipo a una toma de corriente de un circuito diferente al que está conectado el receptor.
- Consultar al distribuidor o a un técnico de radio/televisión con experiencia para que le ayude.

CONSERVE ESTAS INSTRUCCIONES

SÍMBOLOS

	Para reducir el riesgo de lesiones, el usuario deberá leer el manual de instrucciones
	Advertencia
	Emplee protección auditiva
	Use lentes de seguridad
	Mantenga alejadas a las personas que se encuentran cerca


	Advertencia de peligro
	Retire el Paquete de la batería de la herramienta antes de realizar cualquier ajuste, servicio o mantenimiento.
	Use guantes de protección
	Las baterías pueden entrar al ciclo de agua si se desechan incorrectamente, lo que puede ser peligroso para el ecosistema. No deseché las baterías de desperdicio como desperdicio municipal sin clasificar.
	No arrojar al fuego
	Batería de iones de litio. La batería deberá reciclarse.

ES



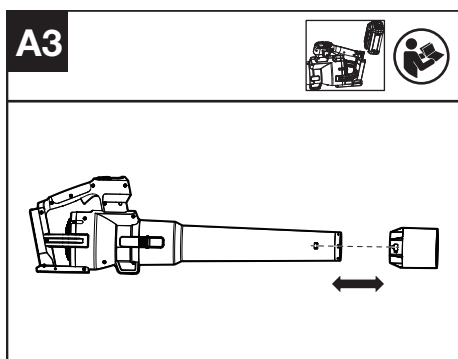
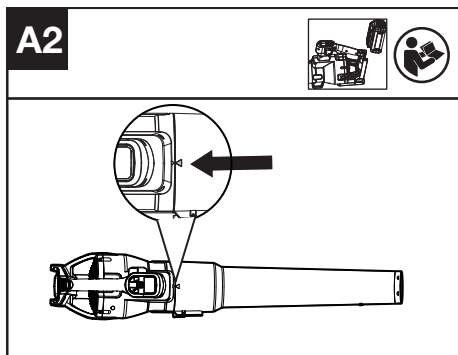
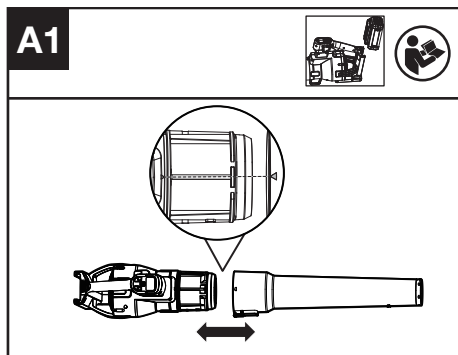
POSITEC Inc. ha establecido una asociación con la empresa RBRC para el reciclaje de todas las baterías Positec que posean el sello RBRC-call2recycle. Para contribuir con la protección del medio ambiente, no deseché las baterías como residuos normales. Después de que haya finalizado el ciclo de vida útil de la batería, comuníquese al 1-800-822-8837 para acceder al servicio gratuito.

ENSAMBLE & FUNCIONAMIENTO

 **NOTA:** Antes de usar la herramienta, lea atentamente el manual de instrucciones.

ANTES DE LA OPERACIÓN:

Ensamble el tubo soplador y la boquilla difusora (Véase la Fig. A1, A2, A3)



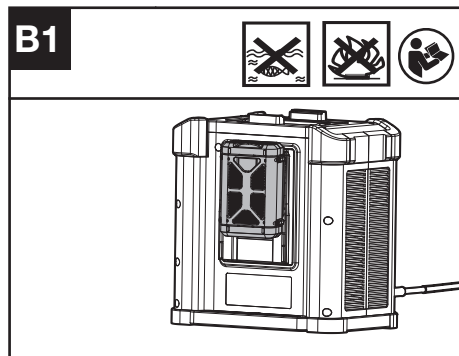
1. Alinee los "△" del tubo del soplador y de la boquilla del soplador.
2. Empuje el tubo del soplador sobre la carcasa

hasta que el seguro de liberación del tubo encaje completamente con el tubo.

3. Alinee el gancho de la boquilla difusora con el tubo soplador.

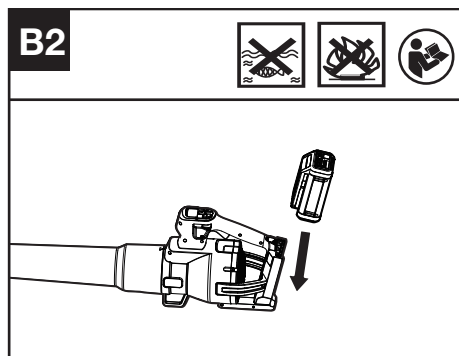
FUNCIONAMIENTO

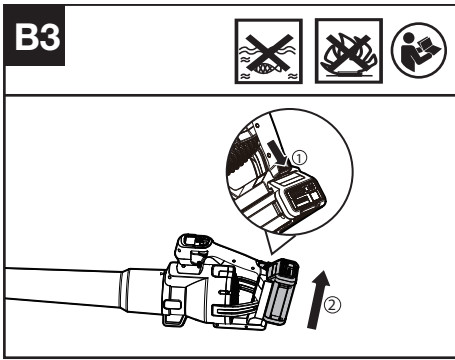
Carga de su paquete de batería (Véase la Fig. B1)




Instalación y extracción de la batería (Véase la Fig. B2, B3)

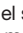
1. Deslice el paquete de baterías en el compartimento de la batería hasta que oiga un clic.
2. Presione el botón de liberación del paquete de baterías y empuje el paquete de baterías para desbloquearlo más fácilmente.





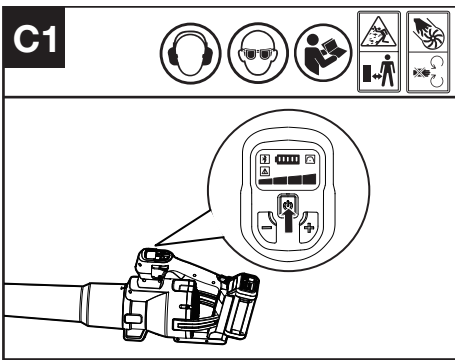
alcanzará la velocidad máx. cuando se iluminen las cuatro luces.


Presione el botón de control de marcha para establecer el flujo de aire seleccionado, el  se iluminará (Véase la Fig. C3)

1. Presione el botón de encendido/apagado para activar el soplador, presione después el gatillo para ponerlo en funcionamiento. Presione el botón de control de marcha y el símbolo "" se ilumina, después el soplador mantendrá la velocidad actual incluso si usted libera el gatillo.

2. Podría presionar el gatillo para tener mayor fuerza del aire dentro de un límite del nivel elegido y si libera el gatillo, la velocidad regresará a la velocidad de marcha. Presione el botón de control de marcha para desactivar esa función cuando sea necesario.

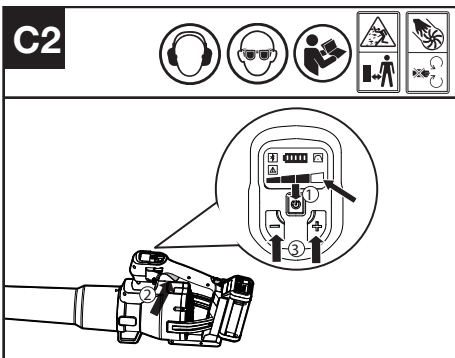
Para comenzar (Véase la. C1)



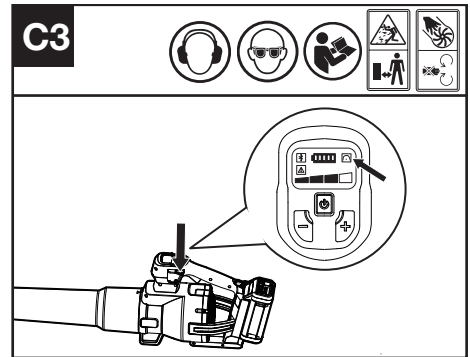
1. Presione el  durante 0.5 segundos para arrancar el producto.

NOTA: Cuando presione el botón de encendido, no presione el gatillo, de lo contrario obtendrá una alarma de fallo.

Regule el control de velocidad (Véase la. C2)



1. Presione el botón de encendido/apagado para activar el soplador, presione después el gatillo para ponerlo en funcionamiento. Presione +/- para elegir el nivel correcto de fuerza del aire. El soplador



LIMPIEZA

1. No use solventes ni detergentes agresivos. Después de usarla, limpie la máquina con un paño humedecido con detergente suave.
2. Mantenga la conexión de la batería libre de suciedad y residuos, y límpiela con un cepillo o paño blando y seco.
3. No rocíe agua sobre el motor ni los componentes eléctricos.
4. No use una limpiadora a presión para limpiar su máquina.

ALMACENAMIENTO

1. Retire el paquete de baterías del soplador antes de guardarlo.
2. Guarde el soplador y la batería en un lugar seco, seguro e inaccesible para los niños y otras personas no autorizadas. Retire el accesorio si no lo va a usar durante mucho tiempo.
3. Guarde la batería solamente dentro de un rango de temperatura de entre 41 °F (5 °C) y 77 °F (25 °C). Por ejemplo, durante el verano no deje la batería en el auto.
4. Limpie bien el exterior de la máquina con

un cepillo blando y un trapo. No use agua, solventes ni abrillantadores. Retire toda la hierba y residuos, especialmente de las ranuras de ventilación.

5. Guarde la máquina en un lugar seco. No coloque otros objetos encima de la máquina.
6. Si se moja con la lluvia durante el funcionamiento, la máquina y la batería deben secarse antes de guardarse o cargarse. Retire la batería y vuelva a insertarla si la máquina no se

enciende.

Para herramientas de batería

El rango de temperatura ambiente para uso y almacenamiento de la herramienta y la batería es de -4 °F~113 °F (-20 °C~45 °C).

El rango de temperatura ambiente recomendado para el sistema de carga durante la carga es de 41 °F~104 °F (5 °C~40 °C).

SOLUCIÓN DE PROBLEMAS

La siguiente tabla incluye comprobaciones y acciones que puede realizar si la herramienta no funciona de forma correcta.



ADVERTENCIA: Apague la herramienta y extraiga la batería antes de efectuar la resolución de problemas.

Soplador manual de 60 V para uso comercial


Pantalla de luz indicadora Symtom	Causa posible	Remedio
Luz roja intermitente	La máquina tiene fallas en la operación	Carga y reemplaza la batería y, a continuación, reinicia el equipo. Si sigue sin funcionar, ponte en contacto con el agente del servicio técnico.
Luz amarilla intermitente	Fallo al iniciar el encendido/ reinicio del interruptor	Reinicia la máquina. Presiona primero el interruptor de presencia y después el gatillo del acelerador.
	Protección contra sobrecorriente	Limpija la entrada de aire y deja que la máquina se enfríe unos instantes y luego reiniciala.
	Protección contra rotor bloqueado	Limpija la entrada de aire y deja que la máquina se enfríe unos instantes y luego reiniciala.
	Protección de temperatura MOS	Coloca las baterías en un entorno con temperatura adecuada durante algún tiempo para esperar a que la temperatura se estabilice y, a continuación, reinicia la unidad.
	Baja tensión/subtensión profunda del paquete de baterías	Recargue la batería antes de utilizarla.
	Sobrecalentamiento de la batería	Deja que la batería se enfríe durante un rato y, a continuación, vuelve a arrancarla.
Baja temperatura de la batería	Coloca las baterías en un entorno con temperatura adecuada durante algún tiempo para esperar a que la temperatura se estabilice y, a continuación, reinicia la unidad.	

BATERÍA

PROBLEMAS	POSIBLES CAUSAS	ACCIÓN CORRECTIVA
El LED de error se encendió.	La batería está descargada.	Cargar la batería. Si la batería no se carga, comuníquese con su Agente de Servicios.
	Problema de temperatura.	Use la batería en ambientes donde las temperaturas estén entre -4 °F y 113 °F (-20 °C y 45 °C) durante la descarga.
	Otros	Comuníquese con su Agente de Servicios.

DATOS TÉCNICOS

Denominación de tipo: **KC510 KC510.X** (5-designación de maquinaria, representante de soplador/ aspiradora a batería)

	KC510 KC510.X **
Voltios	60 V  MAX ***
Tipo de Motor	sin escobillas
Fuerza del aire	22 N
Máx. volumen de aire	850 CFM (1444 m³/h)
Máx. velocidad del aire	185 MPH (83 m/s)
Ruido	59 dB @15m
Grado de protección	IPX5
Peso de la máquina (Herramienta descubierta)	5.74 lbs (2.6 kg)

** X puede ser seguido por uno o dos caracteres. Todos los modelos son iguales, excepto el número de modelo y la marca registrada. El sufijo en los modelos puede ser un número del "1" al "999" o la letra inglesa "A" a "Z" o "M1" a "M9" que significa un paquete diferente o el Varios accesorios embalados en el paquete. el sufijo "9" significa herramienta desnuda sin batería.

*** Voltaje medido sin carga de trabajo. El voltaje inicial de la batería alcanza un máximo de 60V. El voltaje nominal es 54V.

BATERÍAS Y CARGADORES SUGERIDOS

ES

Batería	Capacidad	Cargador	Amperios
KAC800	4.0 Ah	KAC840	25-30 A

Le recomendamos que compre sus accesorios del mismo Distribuidor que le vendió la herramienta. Consulte el empaque del accesorio para que obtenga más detalles. Su Distribuidor puede ayudarle y asesorarle.

DATOS TÉCNICOS DE LA BATERÍA (OPCIONAL)

Bandas de frecuencia para Bluetooth	2400-2483.5 MHz
Máxima potencia transmitida por Bluetooth	8 dBm

Positec USA, Inc. Charlotte, NC 28216 USA

TABLE DES MATIÈRES

Introduction.....	22
Données techniques.....	23
Sécurité du produit.....	24
Assemblage et fonctionnement.....	28
Nettoyage.....	29
Entreposage.....	29
Dépannage.....	30
Données Techniques.....	31

INTRODUCTION

Cher client,

F

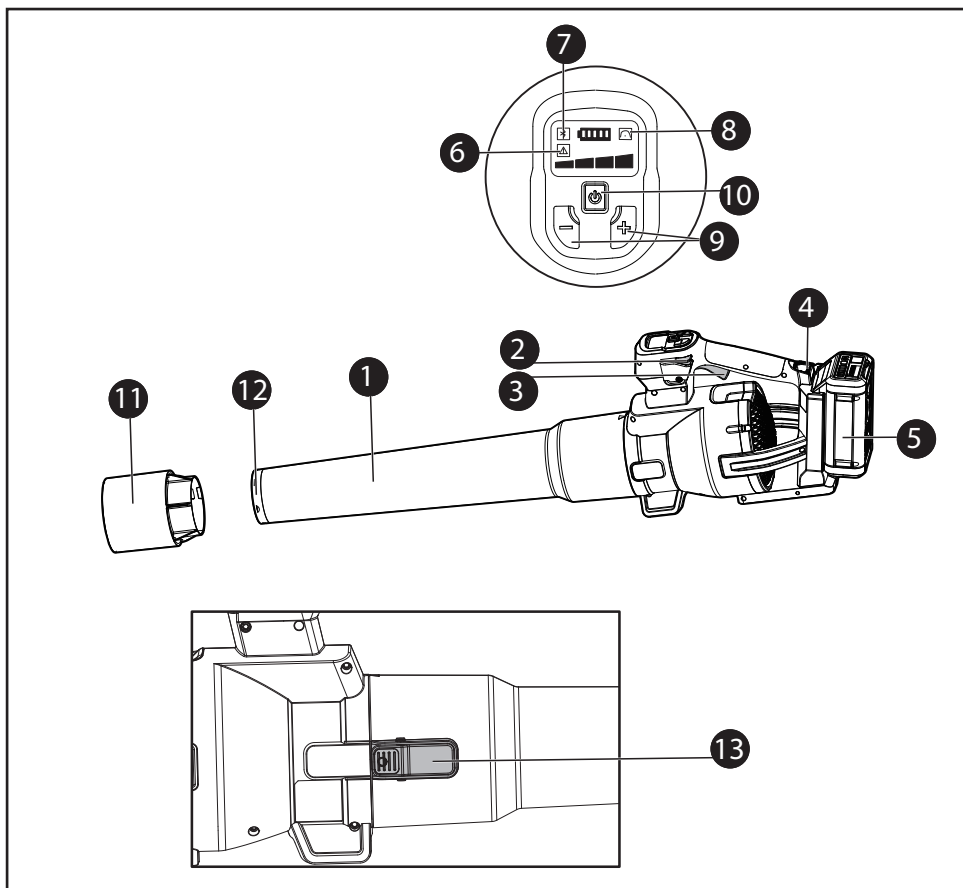
Merci d'avoir acheté ce produit Kress Commercial. Nous nous engageons à développer des produits de haute qualité pour répondre à vos besoins en matière d'aménagement paysager commercial.

Kress est synonyme de service de qualité supérieure. Au cours des années de vie de votre produit, si vous avez des questions ou des préoccupations concernant votre produit, veuillez contacter votre distributeur ou notre équipe du service à la clientèle pour obtenir de l'aide.

Nous espérons que vous aimerez travailler avec votre produit Kress.

USAGE PRÉVU

Cette machine est destinée à souffler des feuilles, de l'herbe, du papier et des matériaux similaires.




DONNÉES TECHNIQUES

- | | |
|-----|----------------------------------|
| 1. | TUBE DE SOUFFLEUR |
| 2. | BOUTON DE RÉGULATEUR DE VITESSE |
| 3. | COMMUTATEUR DE PUISSANCE |
| 4. | VOYANT DE LA BATTERIE |
| 5. | BATTERIE * |
| 6. | SYMBOLE D'AVERTISSEMENT |
| 7. | SYMBOLE BLUETOOTH |
| 8. | SYMBOLE DU RÉGULATEUR DE VITESSE |
| 9. | CONTRÔLE DE LA VITESSE |
| 10. | INTERRUPTEUR MARCHÉ/ARRÊT |
| 11. | POINTE DE GRATTOIR |
| 12. | POINTE DE GRATTOIR EN MÉTAL |
| 13. | BOUTON DE LIBÉRATION DU TUBE |

* Les accessoires illustrés ou décrits ne sont pas tous compris dans le cadre de la livraison standard.


INSTRUCTIONS DE SÉCURITÉ

SÉCURITÉ DU PRODUIT


 **AVERTISSEMENT:** Certaines des poussières produites en utilisant des outils électriques sont considérées par l'État de Californie comme susceptibles de provoquer le cancer, des anomalies congénitales et d'autres problèmes de reproduction. Voici des exemples de ces produits chimiques:

- Plomb issu de peinture à base de plomb;
- Silice cristalline issue de briques et du ciment et autres produits de maçonnerie;
- Arsenic et chrome issus de bois traité chimiquement.

Votre risque de ces expositions varie en fonction de la fréquence à laquelle vous effectuez ce travail. Pour réduire votre exposition à ces produits chimiques: travaillez dans une zone bien ventilée; portez un équipement de sécurité approuvé, tel que des masques antipoussières spécialement conçus pour éliminer les particules microscopiques par filtrage.

 **AVERTISSEMENT:** Ce dispositif peut vous exposer aux produits chimiques notamment le plomb et le di-phtalate (de 2-éthylhexyle) (DEHP) qui sont reconnus dans l'État de Californie comme causant des cancers et des anomalies congénitales ou d'autres anomalies de la reproduction. Pour en savoir plus, veuillez consulter le site www.P65Warnings.ca.gov.

CONSIGNES DE SÉCURITÉ

 **AVERTISSEMENT!** Lisez et assimilez toutes les instructions. Le non-respect des instructions ci-après peut entraîner un risque de choc électrique, d'incendie et/ou de blessures graves.

POUR TOUS LES APPAREILS

- 1) Évitez les environnements dangereux. Ne pas utiliser la machine sous la pluie ou dans des conditions humides. Cela peut augmenter le risque de décharge électrique.
- 2) Tenez les enfants éloignés. Tous les visiteurs devraient se tenir éloignés de l'aire de travail.
- 3) Habillez-vous convenablement. Ne portez pas des vêtements lâches ou des bijoux. Ils peuvent se prendre dans les pièces en mouvement. L'utilisation de gants de caoutchouc et chaussures épaisses est recommandée lors de travaux extérieurs. Portez une protection pour cheveux afin de contenir les cheveux longs.
- 4) Utilisez des lunettes de sécurité. Toujours porter un masque pour le visage ou pour la poussière si l'opération est poussiéreuse.

- 5) Utilisez le bon appareil. N'utilisez pas l'appareil pour tout autre travail que pour celui auquel il est destiné.
- 6) Ne forcez pas l'appareil. Il va faire un meilleur travail et avec moins de risques de blessure en travaillant au taux de charge pour lequel il a été conçu.
- 7) N'essayez pas d'utiliser l'appareil hors de votre portée normale. Gardez votre équilibre et les pieds bien ancrés en tout temps.
- 8) Restez alerte. Faites attention à ce que vous faites. Utilisez le bon sens. N'utilisez pas l'appareil lorsque vous êtes fatigué.
- 9) Entrez l'appareil à l'intérieur des appareils qui ne sont pas utilisés fréquemment. Lorsqu'inutilisés, les appareils devraient être entreposés à l'intérieur dans un endroit sec, élevé et gardé sous clef, hors de la portée des enfants.
- 10) Entretenez les appareils avec soins. Suivez les instructions pour lubrifier et changer les accessoires. Gardez les poignées sèches, propres, et libres d'huile et de graisse.
- 11) Vérifier les pièces endommagées. Avant d'employer l'appareil, une garde ou autre pièce endommagée devrait être soigneusement vérifiée afin de déterminer qu'elle fonctionnera correctement et exécutera la fonction pour laquelle elle a été conçue. Vérifier l'alignement des parties mobiles, leur pincement, la brisure de pièces, montage, et toute autre condition qui peut affecter son opération. Une garde ou autre pièce endommagée devrait être correctement réparée ou remplacée par un centre de service autorisé à moins d'avis contraire ailleurs dans ce manuel.
- 12) Ne pas utiliser la machine sous la pluie ou dans des conditions humides. Cela peut augmenter le risque de décharge électrique. Si la machine et la batterie sont exposées à la pluie pendant le fonctionnement, elles doivent être séchées avant d'être stockées ou rechargées. Retirez la batterie et réinsérez-la si la machine ne démarre pas. Veillez à ce que les raccords de la batterie soient exempts de saleté et de débris, et nettoyez-les avec une brosse ou un chiffon doux et sec.

CONSIGNES DE SÉCURITÉ POUR TOUS LES APPAREILS DE JARDINAGE FONCTIONNANT AVEC UNE BATTERIE

1. Pour éviter le démarrage non intentionnel, s'assurer que le bouton de démarrage est en position d'arrêt avant de brancher l'appareil au chargeur ou de le prendre ou de le transporter. Un accident pourrait arriver si vous vous promenez avec l'appareil avec le doigt sur l'interrupteur ou sur le dispositif de charge dont

- l'interrupteur est en position de charge.
2. Débranchez le bloc de batterie de l'appareil avant de faire des réglages, de remplacer des accessoires ou de ranger l'appareil. De telles mesures de sécurité réduisent les risques de démarrer l'appareil accidentellement.
 3. Rechargez le bloc batterie uniquement avec le chargeur spécifié par Kress. Un chargeur adapté à un type de batterie peut entraîner un risque d'incendie lorsqu'il est utilisé avec une autre batterie.
 4. Utilisez les appareils uniquement avec les batteries spécifiquement indiquées. L'utilisation de toute autre batterie pourrait créer un risque de lésions et d'incendie.
 5. Lorsque la batterie n'est pas utilisée, tenez-la à l'écart d'autres objets métalliques, tels que les trombones, les pièces de monnaie, les clés, les clous, les vis ou d'autres petits objets métalliques, qui peuvent établir la connexion d'une borne à l'autre. Court-circuiter les bornes de la batterie peut provoquer des brûlures ou un incendie.
 6. Dans des conditions d'utilisation abusive, du liquide pourrait s'éjecter de la batterie; évitez tout contact. Si vous entrez accidentellement en contact avec le liquide, passez la partie du corps touchée sous le robinet. Si vos yeux entrent en contact avec le liquide, vous devez consulter immédiatement un médecin. Le liquide expulsé de la batterie peut causer des irritations ou des brûlures.
 7. Ne pas utiliser une batterie ou un appareil qui est endommagé ou modifié. Les batteries endommagées ou modifiées peuvent présenter des comportements imprévisibles entraînant un incendie, une explosion ou le risque de blessures.
 8. Ne pas exposer une batterie ou un appareil au feu ou à une température excessive. L'exposition au feu ou à une température au-dessus de 130 °C (266 °F) pourrait causer une explosion.
 9. Respecter toutes les consignes de charge et ne pas charger la batterie ou l'appareil en dehors de la plage de température indiquée dans les consignes. Mal charger ou à des températures en dehors de la plage indiquée peut endommager la batterie et accroître le risque d'incendie.
 10. Faites faire le service par un technicien de réparation compétent qui ne doit utiliser que des pièces de rechange identiques. Ceci maintiendra la sécurité du produit.
 11. Ne pas modifier ou essayer de réparer l'appareil ou la batterie (selon le cas) sauf comme indiqué dans les consignes d'utilisation et d'entretien.

INSTRUCTIONS SUPPLÉMENTAIRES CONCERNANT LA SÉCURITÉ

AVERTISSEMENT CONSIGNES DE SÉCURITÉ

Vous devez lorsque vous utilisez des appareils électriques toujours prendre des précautions élémentaires, y compris les suivantes:

LISEZ TOUTES LES INSTRUCTIONS AVANT D'UTILISER CET APPAREIL

AVERTISSEMENT - POUR RÉDUIRE LE RISQUE D'INCENDIE, D'ÉLECTROCUTION OU DE BLESSURE:

1. Pour réduire le risque d'électrocution. Ne pas utiliser sur surfaces mouillées. Garder le à l'abri de la pluie . Rangez à l'intérieur.
2. Ne pas le laisser utiliser comme un jouet. Une surveillance toute particulière est exigée quand il est utilisé par ou à proximité d'enfants.
3. N'utiliser que selon les instructions décrites dans le manuel. N'utiliser que selon les pièces jointes recommandées du fabricant.
4. Si l'appareil ne fonctionne pas comme il devrait, s'il a été tombé, endommagé, laissé dehors, ou immergé dans du liquide, apportez-le dans un centre de réparation.
5. Gardez les cheveux, les vêtements larges, les doigts, et toutes les parties du corps éloignés des ouvertures et des pièces en mouvement.
6. Ne pas recharger l'appareil sur une prise extérieure.
7. Employez uniquement le chargeur fourni par le fabricant pour la recharge de l'appareil.
8. Ne pas mettre l'appareil au feu même

- lorsqu'il est gravement endommagé, car cela pourrait faire exploser les piles.
9. Ne pas jeter d'objets dans les orifices. Ne pas utiliser avec un orifice bloqué; gardez libre de poussière, peluche, cheveux, et n'importe quoi qui peut réduire les flux d'air.
 10. Ne touchez pas la prise ou l'appareil avec les mains mouillées.
 11. Ne quittez pas l'appareil lorsqu'il est branché. Débranchez-le de la prise murale lorsque vous ne l'utilisez pas ou avant de le réparer.
 12. Éteignez toutes les commandes avant de débrancher l'appareil.
 13. Soyez particulièrement précautionneux lorsque vous utilisez l'appareil dans des escaliers.

CONSIGNES GÉNÉRALES DE SÉCURITÉ CONCERNANT LA BATTERIE

- a) Ne pas démonter, ouvrir ou déchiqeter le bloc batterie.
- b) Ne pas exposer le bloc batterie à la chaleur ou au feu. Évitez de ranger la batterie dans un endroit exposé à la lumière directe du soleil.
- c) Ne pas court-circuiter une batterie. Ne stockez pas les blocs batterie en vrac dans une boîte ou un tiroir où ils peuvent se court-circuiter ou être court-circuités par d'autres objets métalliques. Lorsque le bloc batterie n'est pas utilisé, conservez-le loin d'autres objets métalliques, tels que des trombones, des pièces de monnaie, des clés, des clous, des vis ou d'autres objets métalliques de petite taille, qui pourraient établir une connexion d'un terminal à l'autre. Le fait de créer un court-circuit entre les bornes de la batterie peut causer des brûlures ou des incendies.
- d) Ne pas soumettre la batterie à des chocs mécaniques.
- e) En cas de fuite de la batterie, ne pas laisser le liquide entrer en contact avec la peau ou les yeux. Si un contact a été effectué, laver la zone touchée avec beaucoup d'eau et consulter un médecin.
- f) Ne pas utiliser de batterie qui n'a pas été conçue pour être utilisée avec cet appareil.
- g) Maintenez la batterie hors de portée des enfants.
- h) Achetez toujours une batterie recommandée par le fabricant de l'appareil.
- i) Conservez le bloc batterie propre et sec.
- j) Essayez les bornes de la batterie avec un

- chiffon propre et sec si elles deviennent sales.
- k) La batterie doit être chargée avant son utilisation. Utilisez toujours le chargeur adapté et reportez-vous aux instructions du fabricant ou au manuel de l'équipement pour suivre les instructions concernant la procédure de charge.
 - l) Ne laissez pas le bloc batterie en charge prolongée lorsqu'il n'est pas utilisé.
 - m) Après de longues périodes de stockage, il peut être nécessaire de charger et de décharger la batterie plusieurs fois pour obtenir des performances optimales.
 - n) Rechargez le bloc batterie uniquement avec le chargeur spécifié par Kress. N'utilisez pas un chargeur autre que celui spécifiquement conçu pour être utilisé avec l'équipement.
 - o) Conservez la documentation originale du produit pour référence ultérieure.
 - p) Utilisez uniquement la batterie dans l'application pour laquelle elle a été prévue.
 - q) Retirez la batterie de l'équipement lorsqu'il n'est pas utilisé.
 - r) Éliminez la batterie de façon adéquate.
 - s) Ne pas mélanger des cellules de fabricants, de capacités, de tailles ou de type différents dans un appareil.
 - t) N'exposez pas la batterie à des micro-ondes et de la haute pression.







EXIGENCES RELATIVES AU MANUEL

D'UTILISATION D'UN PRODUIT SANS FIL

- a) Ce dispositif est conforme à la partie 15 des règles du FCC. Son fonctionnement est soumis aux deux conditions suivantes:
 - (1) Cet appareil ne doit pas causer d'interférences nuisibles, et
 - (2) cet appareil doit accepter toute interférence reçue, y compris toute interférence pouvant entraîner un fonctionnement indésirable.
- b) AVERTISSEMENT: Les changements ou modifications de cet appareil non expressément approuvés par la partie responsable de la conformité pourraient annuler l'autorisation de l'utilisateur à faire fonctionner l'équipement.
- c) Cet appareil contient un ou plusieurs émetteurs/récepteurs exemptés de licence qui sont conformes aux CNR d'Innovation, Sciences et Développement Économique Canada applicables aux appareils radio exempts de licence. Son fonctionnement est soumis aux deux conditions suivantes:
 - (1) Cet appareil ne doit pas causer d'interférences nuisibles.
 - (2) Cet appareil doit accepter toute interférence reçue, y compris toute interférence pouvant entraîner un fonctionnement indésirable.
- d) REMARQUE: Cet équipement a été examiné et s'est avéré être conforme aux limites pour un dispositif numérique de la classe B, conformément à la partie 15 des règles du FCC. Ces limites sont conçues pour

assurer la protection raisonnable contre une interférence dommageable dans une installation résidentielle. Cet équipement génère, utilise et peut émettre une énergie de fréquence radio et, s'il n'est pas installé et utilisé conformément aux instructions, il peut causer des interférences nuisibles aux communications radio. Cependant, il n'y a aucune garantie que l'interférence ne se produira pas dans une installation particulière. Si cet équipement cause une interférence dommageable à un radio ou à la réception d'émissions télévisées, laquelle peut être déterminée en allumant ou éteignant l'équipement, l'utilisateur est encouragé à essayer de corriger l'interférence par une ou plusieurs des mesures suivantes:

- Réorienter ou replacer l'antenne de réception.
- Augmenter la séparation entre l'équipement et le récepteur.
- Relier l'équipement dans une prise sur un circuit différent de celui auquel le récepteur est connecté.
- Consulter le revendeur ou un technicien expérimenté de radio/TV pour de l'aide.

	Avertissement de danger
	Retirer le bloc-piles de l'outil avant d'effectuer tout ajustement, entretien ou maintenance.
	Portez des gants de protection
	Les batteries peuvent s'introduire dans le cycle de l'eau si elles sont éliminées de manière inappropriée, ce qui peut être dangereux pour l'écosystème. Ne pas éliminer les batteries usagées avec les déchets municipaux non triés.
	Ne pas jeter au feu
	Batterie Li-ion. Les batteries doivent être recyclées.

CONSERVEZ CES INSTRUCTIONS

SYMBOLES

	Afin de réduire les risques de blessure, l'utilisateur doit lire ce mode d'emploi
	Avertissement
	Portez une protection auditive
	Portez un protecteur oculaire
	Ne laisser personne aux alentours



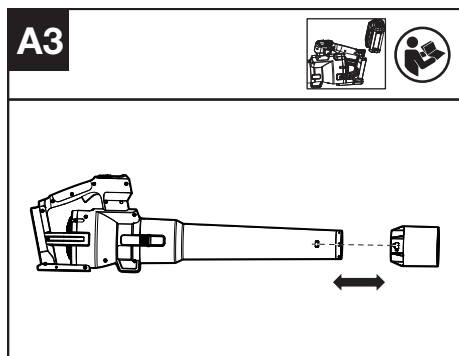
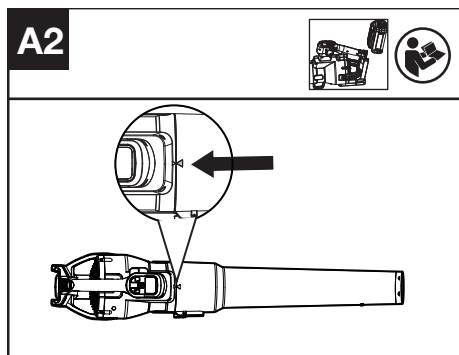
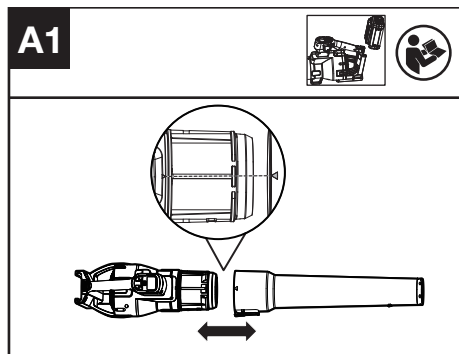
POSITEC Inc. a formé un partenariat avec RBRC Corporation pour le recyclage des batteries Positec portant le sceau RBRC-call2recycle. Pour la protection de l'environnement, veuillez à ne pas jeter les batteries aux poubelles. À la fin du cycle de vie de la batterie, appelez 1-800-822-8837 pour un service gratuit qui mettra la batterie au rebut selon les règles de l'art.

ASSEMBLAGE & FONCTIONNEMENT

REMARQUE: Avant d'utiliser cet outil, assurez-vous de lire attentivement le manuel d'utilisation.

AVANT LE FONCTIONNEMENT:

Assemblez le tube de souffleur et la pointe de grattoir (Voir Fig.A1,A2,A3)



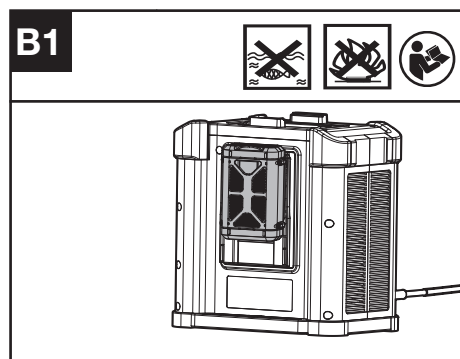
1. Alignez les « Δ » du tube du souffleur et de la buse du souffleur.
2. Poussez le tube du souffleur sur le boîtier jusqu'à

ce que le loquet de libération du tube s'engage complètement dans le tube.

3. Alignez le crochet de la pointe de grattoir et du tube de souffleur.

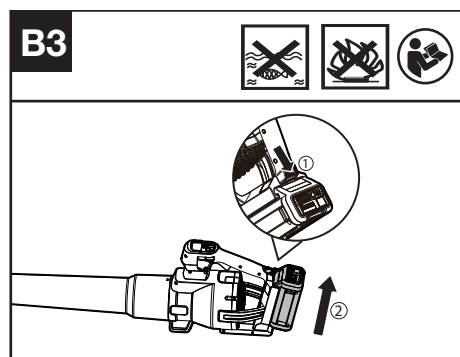
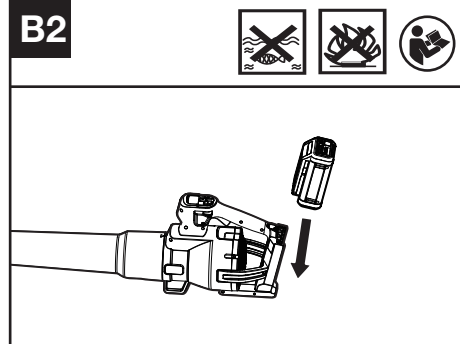
FONCTIONNEMENT

Bloc-pile en recharge (Voir Fig. B1)

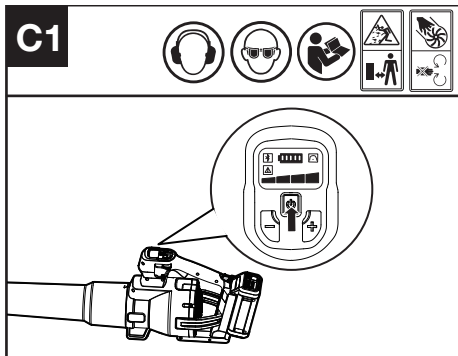



Installation et remplacement du bloc de batterie (Voir Fig. B2, B3)

1. Faites glisser la batterie dans le compartiment à batterie jusqu'à ce que vous entendiez un clic.
2. Appuyez sur le bouton de déverrouillage de la batterie pour libérer la batterie de votre outil.



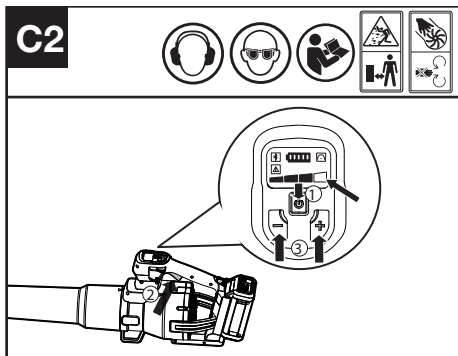
Pour démarrer (Voir Fig. C1)



1. Appuyez sur  pendant 0,5 seconde, démarrez le produit.

Remarque : Lorsque vous appuyez sur le bouton d'alimentation, veuillez ne pas appuyer sur la gâchette, sinon cela entraînera une alarme d'anomalie.

Ajustez le contrôle de vitesse (Voir Fig. C2)

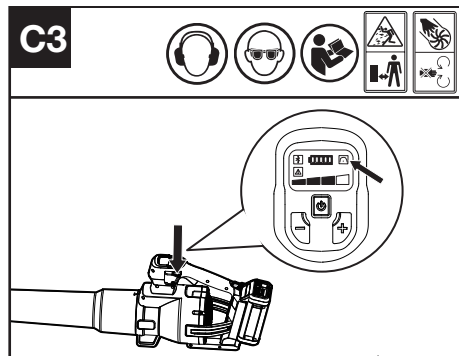


1. Appuyez sur le bouton on/off pour activer le souffleur, puis appuyez sur la gâchette pour faire fonctionner le souffleur. Appuyez sur +/- pour choisir le niveau approprié de puissance de soufflage. Le souffleur atteindra la vitesse maximale lorsque les quatre lumières sont allumées.

Appuyez sur le bouton du régulateur de vitesse pour régler le débit d'air sélectionné, le « S » s'allume (Voir Fig. C3)

1. Appuyez sur le bouton on/off pour activer le souffleur, puis appuyez sur la gâchette pour faire fonctionner le souffleur. Appuyez sur le bouton du régulateur de vitesse et le symbole « S » s'allume, alors le souffleur restera à la vitesse actuelle même si vous relâchez la gâchette.
2. Vous pouvez appuyer sur la gâchette pour avoir une plus grande puissance de soufflage dans la limite de niveau choisie et relâcher la gâchette, la vitesse reviendra à la vitesse normale. Appuyez sur

le bouton du régulateur de vitesse pour désactiver la fonction de réglage en cas de besoin.



NETTOYAGE

1. N'utilisez pas de détergents ou de solvants agressifs. Nettoyez la machine après utilisation avec un chiffon humide trempé dans un détergent neutre.
2. Veillez à ce que les raccords de la batterie soit exempte de saleté et de débris, et nettoyez-la avec une brosse ou un chiffon doux et sec.
3. Ne pas pulvériser d'eau sur le moteur ni les composants électriques.
4. N'utilisez pas de nettoyeur haute pression pour nettoyer votre machine.

ENTREPOSAGE

1. Retirez la batterie du souffleur avant de le ranger.
2. Rangez le souffleur dans un endroit sec et sécurisé, inaccessible aux enfants et à d'autres personnes non autorisées. Retirez les accessoires si vous ne les utilisez pas pendant une longue période.
3. Stockez la batterie uniquement dans une plage de température comprise entre 5 °C (41 °F) et 25 °C (77 °F). Par exemple, ne laissez pas la batterie dans la voiture en été.
4. Nettoyez soigneusement l'extérieur de la machine à l'aide d'une brosse douce et d'un chiffon. Ne pas utiliser d'eau, de solvants ou de produits de lustrage. Retirez toutes les herbes et tous les débris, en particulier ceux qui se trouvent dans les fentes de ventilation.
5. Rangez la machine dans un endroit sec. Ne placez pas d'objets sur la machine.
6. Si la machine et la batterie sont exposées à la pluie pendant le fonctionnement, elles doivent être séchées avant d'être stockées ou rechargées. Retirez la batterie et réinsérez-la si la machine ne démarre pas.

Pour les outils de la batterie

La plage de température ambiante pour l'utilisation et le stockage de l'outil et de la batterie est -20°C à 45°C (-4°F~113°F). La plage de température ambiante recommandée pour le système de charge pendant la charge est de 5°C à 40 °C (41°F~104°F).

DÉPANNAGE

Le tableau suivant décrit les vérifications et les interventions que vous pouvez effectuer si votre appareil ne fonctionne pas correctement.



AVERTISSEMENT! éteindre l'appareil et retirer la batterie avant toute tentative de réparation.

SOUFFLEUR À MAIN COMMERCIAL 60V


Affichage de l'indicateur lumineux de symptôme	Cause possible	Remède
Voyant rouge clignotant	L'appareil ne fonctionne pas correctement	Chargez et remplacez la batterie, puis redémarrez l'appareil. Si l'appareil ne fonctionne toujours pas, veuillez contacter le représentant du service après-vente.
Voyant jaune clignotant	Échec du démarrage sous tension/de la réinitialisation de l'interrupteur	Appuyez d'abord sur l'interrupteur de présence, puis appuyez sur la gâchette d'accélération.
	Protection contre les surintensités	Nettoyez l'entrée d'air et laissez l'appareil refroidir quelques instants, puis redémarrez.
	Protection verrouillée du rotor	Nettoyez l'entrée d'air et laissez l'appareil refroidir quelques instants, puis redémarrez.
	Protection contre la température du MOS	Placez la batterie dans un environnement à température appropriée pendant un certain temps pour attendre que la température se stabilise, puis redémarrez.
	Sous-tension du bloc-batterie/sous-tension profonde	Chargez le bloc-batterie avant de l'utiliser.
	Surchauffe de la batterie	Laissez la batterie refroidir quelques instants, puis redémarrez.
	Sous-chauffe de la batterie	Placez la batterie dans un environnement à température appropriée pendant un certain temps pour attendre que la température se stabilise, puis redémarrez.

BATTERIE

Problème	Causes possibles	Mesures correctives
La LED d'erreur est allumée	La batterie est déchargée	Chargez la batterie. Si la batterie ne se charge pas, contactez votre réparateur.
	Problème de température.	Utilisez la batterie dans un environnement où les températures sont comprises entre -20 °C à 45 °C (-4 °F à 113 °F) pour la décharge.
	Autres	Contactez votre réparateur.

DONNÉES TECHNIQUES

Désignation du type: **KC510 KC510.X** (5-désignation de la machine, modèle de souffleur alimenté par batterie)

	KC510 KC510.X **
Tension	60 V  MAX ***
Type de moteur	sans balais
Puissance de soufflage	22 N
Volume d'air max	1444 m ³ /h (850 CFM)
Débit d'air max	83 m/s (185 MPH)
Niveau sonore	59 dB @15m
Degré de protection	IPX5
Poids de l'outil (Outil nu)	2.6 kg (5.74 lbs)

** X peut être suivi d'un ou deux caractères. Tous les modèles sont identiques, sauf le numéro de modèle et la marque. Le suffixe dans les modèles peut être un nombre allant de « 1 » à « 999 » ou une lettre anglaise « A » à « Z » ou « M1 » à « M9 » qui signifie la différence entre les paquets ou les accessoires emballés dans l'emballage. Le suffixe « 9 » signifie outil nu sans batterie.

*** Tension mesurée hors fonctionnement. La tension initiale de la batterie atteint le maximum de 60 volts. La tension nominale est de 54 V.

BATTERIES ET CHARGEURS SUGGÉRÉS

Batterie	Capacité	Chargeur	Ampérage
KAC800	4.0 Ah	KAC840	25-30 A

Nous vous recommandons d'acheter vos accessoires chez le même détaillant qui vous a vendu l'outil. Consultez l'emballage de l'accessoire pour plus de renseignements. Votre détaillant peut vous aider et vous conseiller.

DONNÉES TECHNIQUES POUR LE BLOC DE BATTERIES (EN OPTION)

Bandes de fréquences pour Bluetooth	2400-2483.5 MHz
Puissance maximale transmise pour Bluetooth	8 dBm

Positec USA, Inc. Charlotte, NC 28216 USA



Copyright © 2024, Positec. All Rights Reserved.
Copyright © 2024, Positec. Tous droits réservés.

© Derechos reservados 2024, Positec. Todos los derechos reservados.
AR01767702