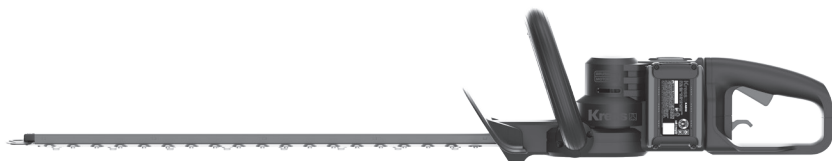


Kress



40V Cordless Hedge Trimmer

EN

P02

Cortasetos de 40 V Inalámbrico

ES

P12

Taille-Haie Li-Ion Sans Fil 40V

F

P23

KG285 KG285.X

TABLE OF CONTENTS

| | |
|-----------------------------|----|
| Introduction..... | 2 |
| Component List..... | 3 |
| Product Safety..... | 4 |
| Operating instructions..... | 7 |
| Maintenance..... | 10 |
| Technical Data..... | 11 |

INTRODUCTION

Dear Customer,

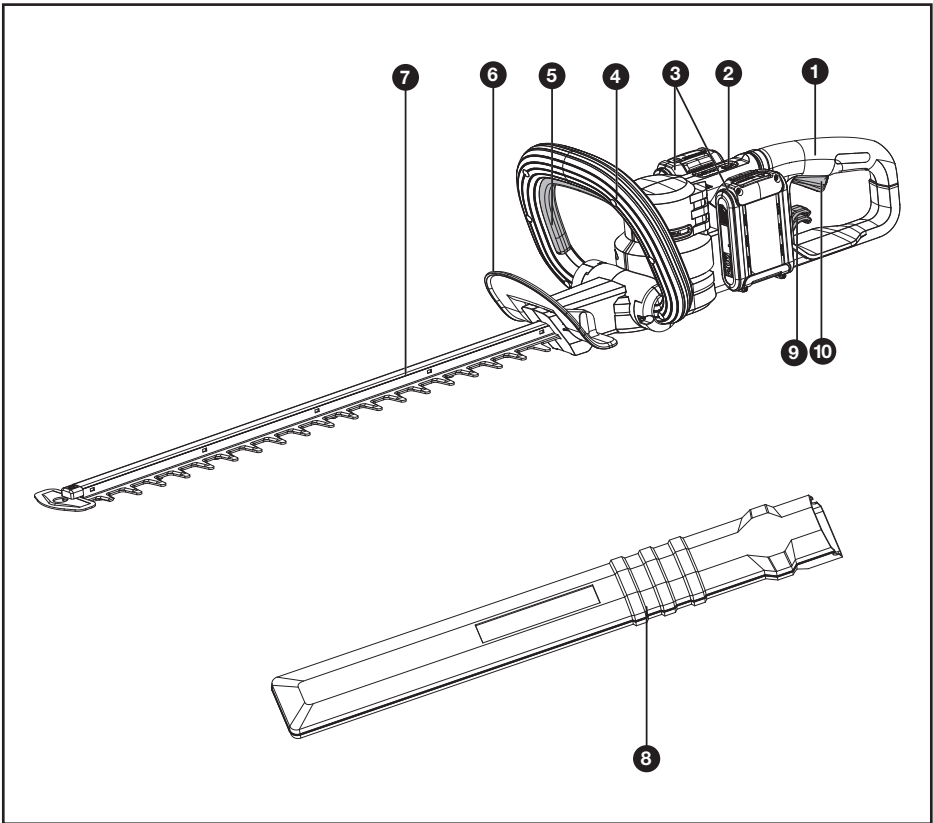
Thank you for buying this Kress product. We are dedicated to developing high quality products to meet your landscaping requirements.

The Kress brand is synonymous with premium quality service. Over the years of your product's life, if you have any questions or concerns about your product, please contact your location of purchase or our Customer Service Team for assistance.

We are confident you will enjoy working with your Kress product for years to come.

INTENDED USE

The machine is intended for cutting and trimming hedges and bushes in residential use.



COMPONENT LIST

- | | |
|-----|---|
| 1. | ROTATING REAR HANDLE |
| 2. | POWER INDICATOR LIGHT |
| 3. | BATTERY PACK* |
| 4. | FRONT HANDLE |
| 5. | OPERATOR PRESENCE SWITCH (ALL AROUND SWITCH FUNCTION) |
| 6. | SAFETY GUARD |
| 7. | BLADE |
| 8. | BLADE SHEATH |
| 9. | LOCKING SWITCH FOR ROTATING |
| 10. | THROTTLE TRIGGER |
| 11. | BATTERY PACK RELEASE BUTTON* (SEE FIG. E) |

* Not all the accessories illustrated or described are included in standard delivery.

PRODUCT SAFETY



WARNING: Some dust created by power sanding, sawing, grinding, drilling and other construction activities contains chemicals known to the state of California to cause cancer, birth defects or other reproductive harm. Some examples of these chemicals are:

- Lead from lead-based paints;
- Crystalline silica from bricks and cement and other masonry products;
- Arsenic and chromium from chemically-treated lumber.

Your risk from these exposures varies, depending on how often you do this type of work. To reduce your exposure to these chemical: work in a well ventilated area, and work with approved safety equipment, such as those dust masks that are specially designed to filter out microscopic particles.



WARNING: This product can expose you to chemicals including lead and Di(2-ethylhexyl)phthalate (DEHP) which are known to the State of California to cause cancer and birth defects or other reproductive harm. For more information go to www.P65Warnings.ca.gov.

GENERAL POWER TOOL SAFETY WARNINGS



WARNING: Read all safety warnings, instructions, illustrations and specifications provided with this power tool. Failure to follow all instructions listed below may result in electric shock, fire and/or serious injury.

Save all warnings and instructions for future reference.

The term "power tool" in the warnings refers to your mains-operated (corded) power tool or battery-operated (cordless) power tool.

1) Work area safety

- Keep work area clean and well lit.** Cluttered or dark areas invite accidents.
- Do not operate power tools in explosive atmospheres, such as in the presence of flammable liquids, gases or dust.** Power tools create sparks which may ignite the dust or fumes.
- Keep children and bystanders away while operating a power tool.** Distractions can cause you to lose control.

2) Electrical safety

- Power tool plugs must match the outlet. Never modify the plug in any way. Do not use any adapter plugs with earthed (grounded) power tools.** Unmodified plugs and matching outlets will reduce risk of electric shock.

- Avoid body contact with earthed or grounded surfaces such as pipes, radiators, ranges and refrigerators.** There is an increased risk of electric shock if your body is earthed or grounded.
 - Do not expose power tools to rain or wet conditions.** Water entering a power tool will increase the risk of electric shock.
 - Do not abuse the cord. Never use the cord for carrying, pulling or unplugging the power tool. Keep cord away from heat, oil, sharp edges or moving parts.** Damaged or entangled cords increase the risk of electric shock.
 - When operating a power tool outdoors, use an extension cord suitable for outdoor use.** Use of a cord suitable for outdoor use reduces the risk of electric shock.
 - If operating a power tool in a damp location is unavoidable, use a residual current device (RCD) protected supply.** Use of an RCD reduces the risk of electric shock.
- ### 3) Personal safety
- Stay alert, watch what you are doing and use common sense when operating a power tool. Do not use a power tool while you are tired or under the influence of drugs, alcohol or medication.** A moment of inattention while operating power tools may result in serious personal injury.
 - Use personal protective equipment. Always wear eye protection.** Protective equipment such as dust mask, non-skid safety shoes, hard hat, or hearing protection used for appropriate conditions will reduce personal injuries.
 - Prevent unintentional starting. Ensure the switch is in the off-position before connecting to power source and/or battery pack, picking up or carrying the tool. Carrying power tools with your finger on the switch or energising power tools that have the switch on invites accidents.**
 - Remove any adjusting key or wrench before turning the power tool on.** A wrench or a key left attached to a rotating part of the power tool may result in personal injury.
 - Do not overreach. Keep proper footing and balance at all times.** This enables better control of the power tool in unexpected situations.
 - Dress properly. Do not wear loose clothing or jewelry. Keep your hair and clothing away from moving parts.** Loose clothes, jewelry or long hair can be caught in moving parts.
 - If devices are provided for the connection of dust extraction and collection facilities, ensure these are connected and properly used.** Use of dust collection can reduce dust-related hazards.
 - Do not let familiarity gained from frequent use of tools allow you to become complacent and ignore tool safety principles.** A careless action can cause severe injury within a fraction of a second.

- 4) **Power tool use and care**
- a) **Do not force the power tool. Use the correct power tool for your application.** *The correct power tool will do the job better and safer at the rate for which it was designed.*
- b) **Do not use the power tool if the switch does not turn it on and off.** *Any power tool that cannot be controlled with the switch is dangerous and must be repaired.*
- c) **Disconnect the plug from the power source and/or remove the battery pack, if detachable, from the power tool before making any adjustments, changing accessories, or storing power tools.** *Such preventive safety measures reduce the risk of starting the power tool accidentally.*
- d) **Store idle power tools out of the reach of children and do not allow persons unfamiliar with the power tool or these instructions to operate the power tool.** *Power tools are dangerous in the hands of untrained users.*
- e) **Maintain power tools and accessories. Check for misalignment or binding of moving parts, breakage of parts and any other condition that may affect the power tool's operation. If damaged, have the power tool repaired before use.** *Many accidents are caused by poorly maintained power tools.*
- f) **Keep cutting tools sharp and clean.** *Properly maintained cutting tools with sharp cutting edges are less likely to bind and are easier to control.*
- g) **Use the power tool, accessories and tool bits etc., in accordance with these instructions, taking into account the working conditions and the work to be performed.** *Use of the power tool for operations different from those intended could result in a hazardous situation.*
- h) **Keep handles and grasping surfaces dry, clean and free from oil and grease.** *Slippery handles and grasping surfaces do not allow for safe handling and control of the tool in unexpected situations.*
- 5) **Battery tool use and care**
- a) **Recharge only with the charger specified by the manufacturer.** *A charger that is suitable for one type of battery pack may create a risk of fire when used with another battery pack.*
- b) **Use power tools only with specifically designated battery packs.** *Use of any other battery packs may create a risk of injury and fire.*
- c) **When battery pack is not in use, keep it away from other metal objects, like paper clips, coins, keys, nails, screws or other small metal objects, that can make a connection from one terminal to another.** *Shorting the battery terminals together may cause burns or a fire.*
- d) **Under abusive conditions, liquid may be ejected from the battery; avoid contact. If contact accidentally occurs, flush with water. If liquid contacts eyes, additionally seek**

medical help. *Liquid ejected from the battery may cause irritation or burns.*

- e) **Do not use a battery pack or tool that is damaged or modified.** *Damaged or modified batteries may exhibit unpredictable behaviour resulting in fire, explosion or risk of injury.*
- f) **Do not expose a battery pack or tool to fire or excessive temperature.** *Exposure to fire or temperature above 265°F (130 °C) may cause explosion.*
- g) **Follow all charging instructions and do not charge the battery pack or tool outside the temperature range specified in the instructions.** *Charging improperly or at temperatures outside the specified range may damage the battery and increase the risk of fire.*
- 6) **Service**
- a) **Have your power tool serviced by a qualified repair person using only identical replacement parts.** *This will ensure that the safety of the power tool is maintained.*
- b) **Never service damaged battery packs.** *Service of battery packs should only be performed by the manufacturer or authorized service providers.*

HEDGE TRIMMER SAFETY WARNINGS

- a) **Keep all parts of the body away from the blade. Do not remove cut material or hold material to be cut when blades are moving.** *Blades continue to move after the switch is turned off. A moment of inattention while operating the hedge trimmer may result in serious personal injury.*
- b) **Carry the hedge trimmer by the handle with the blade stopped and taking care not to operate any power switch.** *Proper carrying of the hedge trimmer will decrease the risk of inadvertent starting and resultant personal injury from the blades.*
- c) **When transporting or storing the hedge trimmer, always fit the blade cover.** *Proper handling of the hedge trimmer will decrease the risk of personal injury from the blades.*
- d) **When clearing jammed material or servicing the unit, make sure all power switches are off and the battery back is removed or disconnected.** *Unexpected actuation of the hedge trimmer while clearing jammed material or servicing may result in serious personal injury.*
- e) **Hold the hedge trimmer by insulated gripping surfaces only, because the blade may contact hidden wiring.** *Blades contacting a "live" wire may make exposed metal parts of the hedge trimmer "live" and could give the operator an electric shock.*
- f) **Keep all power cords and cables away from cutting area.** *Power cords or cables may be hidden in hedges or bushes and can be*

accidentally cut by the blade.

- g) Do not use the hedge trimmer in bad weather conditions, especially when there is a risk of lightning. *This decreases the risk of being struck by lightning.*
- h) Check the hedges and bushes for foreign objects, e.g. wire fences and hidden wiring.
- i) Hold the hedge trimmer properly, e.g. with both hands if two handles are provided.
- j) The hedge trimmer is intended to be used by the operator at ground level and not on ladders or any other unstable support.
- k) Before operating the hedge trimmer, the user should make sure the locking device(s) of any moving elements (e.g. the extended shaft and pivoting element), if any, are in the locked position.
- l) Have any adjustable stopping mechanism maintained at regular intervals.





- m) After extended periods of storage, it may be necessary to charge and discharge the battery pack several times to obtain maximum performance.
- n) Recharge only with the charger specified by Kress. Do not use any charger other than that specifically provided for use with the equipment.
- o) Retain the original product literature for future reference.
- p) Use only the battery pack in the application for which it was intended.
- q) Remove the battery pack from the equipment when not in use.
- r) Dispose of properly.
- s) Do not mix cells of different manufacture, capacity, size or type within a device.
- t) Keep the battery away from microwaves and high pressure.

SAFETY WARNINGS FOR BATTERY PACK


- a) Do not dismantle, open or shred battery pack.
- b) Do not expose battery pack to heat or fire. Avoid storage in direct sunlight.
- c) Do not short-circuit a battery pack. Do not store battery packs haphazardly in a box or drawer where they may short-circuit each other or be short-circuited by other metal objects. When battery pack is not in use, keep it away from other metal objects, like paper clips, coins, keys, nails, screws or other small metal objects, that can make a connection from one terminal to another. Shorting the battery terminals together may cause burns or fire.
- d) Do not subject battery pack to mechanical shock.
- e) In the event of battery leaking, do not allow the liquid to come in contact with the skin or eyes. If contact has been made, wash the affected area with copious amounts of water and seek medical advice.
- f) Do not use any battery pack which is not designed for use with the equipment.
- g) Keep battery pack out of the reach of children.
- h) Always purchase the battery pack recommended by the device manufacturer for the equipment.
- i) Keep battery pack clean and dry.
- j) Wipe the battery pack terminals with a clean dry cloth if they become dirty.
- k) Battery pack needs to be charged before use. Always use the correct charger and refer to the manufacturer's instructions or equipment manual for proper charging instructions.
- l) Do not leave battery pack on prolonged charge when not in use.


SYMBOLS

| | |
|---|--|
|  | To reduce the risk of injury, user must read instruction manual |
|  | Warning |
|  | Wear ear protection |
|  | Wear eye protection |
|  | Wear dust mask |
|  | Do not expose to rain |
|  | Keep hands away from blade |
|  Li-Ion | Li-Ion battery, battery must be recycled |
|  | Remove battery from the socket before carrying out any adjustment, servicing or maintenance. |

| | |
|--|---|
|  | Wear protective gloves. |
|  | Batteries may enter water cycle if disposed improperly, which can be hazardous for ecosystem. Do not dispose of waste batteries as unsorted municipal waste. |
|  | Do not burn |
|  | call2recycle POSITEC Inc. has established a partnership with the RBRC Corporation to recycle any Positec batteries with the RBRC-call2recycle seal. For environmental protection, please do not discard batteries in the trash. After the batteries' life cycle is ended, then please call 1-800-822-8837 for a free service that will properly dispose of the battery. |

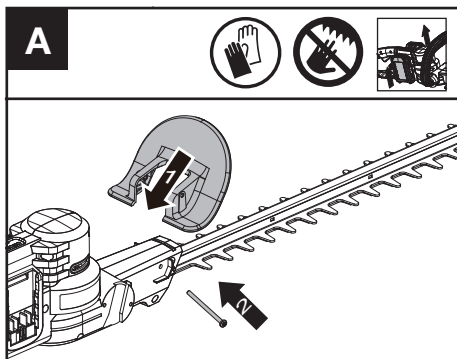
OPERATING INSTRUCTIONS

 **NOTE:** Before using the tool, read the instruction book carefully.

 **Warning!** Do not use the product without attaching the guard and front handle.

ASSEMBLY & OPERATION BEFORE USING YOUR CORDLESS HEDGE TRIMMER

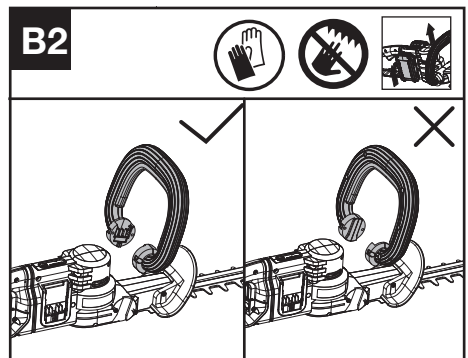
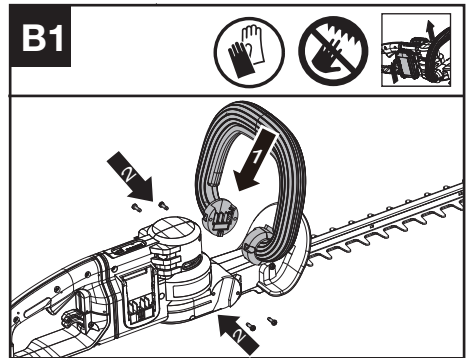
Assembling the safety guard (See Fig. A)



Assembling the front handle (See Fig. B1, B2)

NOTE : The handle is designed to prevent being

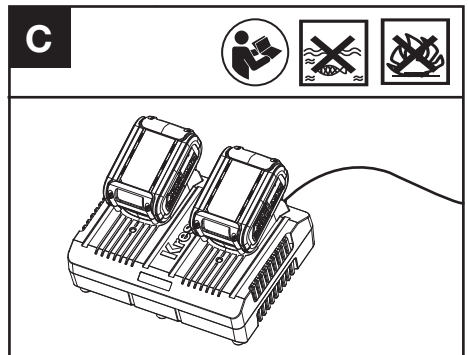
assembled in wrong direction . If you find it cannot be installed, please turn it around.



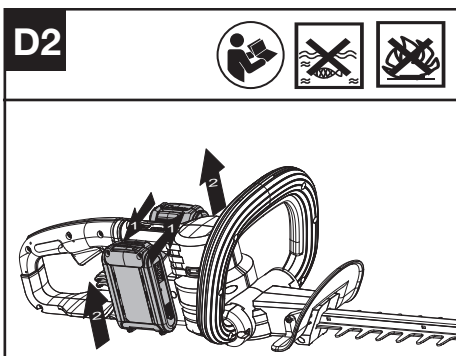
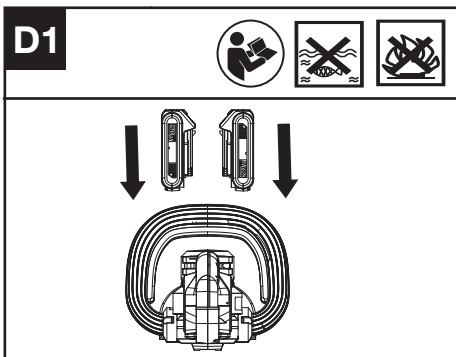
Charging the battery pack (See Fig. C)

NOTE:

- The batteries are shipped uncharged. Each battery must be fully charged before the first use.
- Always fully charge the two batteries at same time. More details can be found in charger's manual.



Installing and Removing the battery pack
(See Fig. D1, D2)



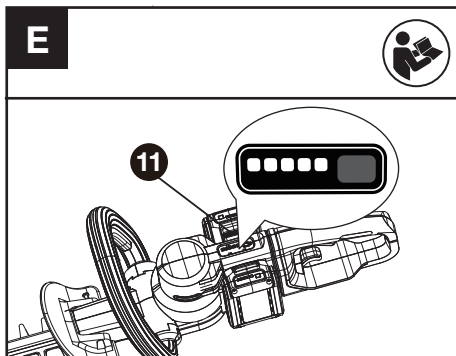
NOTE :

- This machine will only run when 2 batteries are installed. It is recommended to use the same two batteries and charge the two batteries at the same time.
- When you use two batteries with different power, the machine will only run to the lower common denominator.

OPERATION

Power indicator light (See Fig. E)

See details in **BATTERY STATUS** part


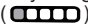


IMPORTANT:

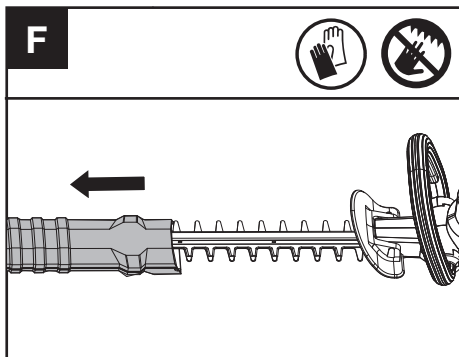
When only one light is illuminated, your battery is overly discharged, even though the trimmer may still be capable of hedge trimming. Continuing to operate your trimmer with the battery in this discharged condition may reduce the life and performance of your battery.

When no light is illuminated, at least one battery is not fully installed or battery may be defective, please double check the batteries are fully seated into position.

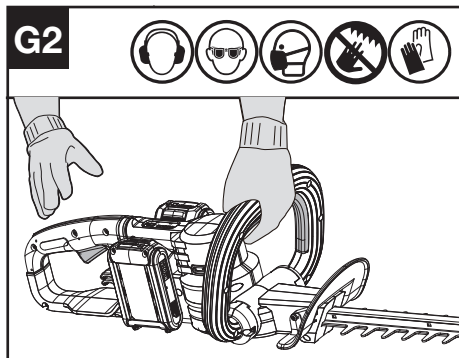
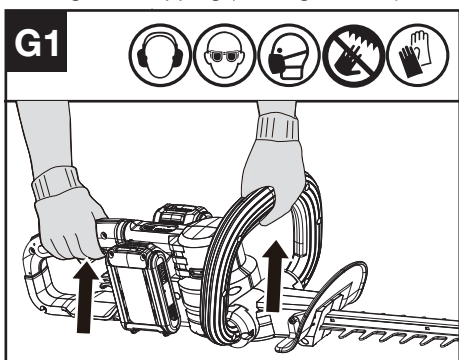
- Before starting or after use, press the button beside the power indicator light on the machine to check the battery capacity.
- During operation, the battery capacity will be indicated automatically by the battery power indicator. The indicator constantly senses and displays the battery condition as follows.
- For the machine with 2 battery packs with different power, the power indicator light displays the battery condition with the lower one of the two batteries.

| Battery indicator light status | Battery condition |
|--|--|
| Five green lights () are illuminated. | The two batteries are in a highly charged condition. |
| Two, three or four green lights are illuminated. | The two batteries have a remaining charge. The more lights are illuminated, the more battery capacity. |
| Only one green light () is illuminated. | At least one battery is almost depleted and needs to be charged. |
| No light is illuminated. | At least one battery is not fully installed or battery may be defective. |
| Only one light is flashing twice per cycle. | At least one battery is over discharged (please refer to the battery charge condition), please recharge the two batteries at once before use again or storage. |
| Only one light is flashing three times per cycle. | At least one battery is hot, wait for them cool down before start again. |
| Only one light is flashing four times per cycle. | The machine is over load. Remove tool from cutting area and try again. |

Remove the blade sheath (See Fig. F)



Starting and stopping (See Fig. G1, G2)



Rotating rear handle (See Fig. H1, H2)

NOTE:

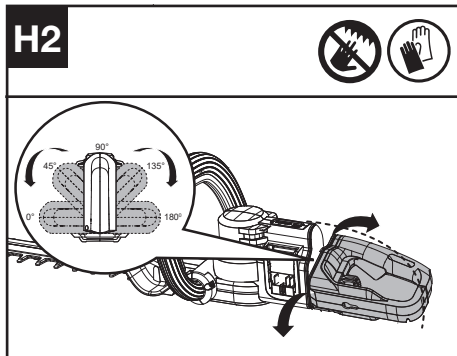
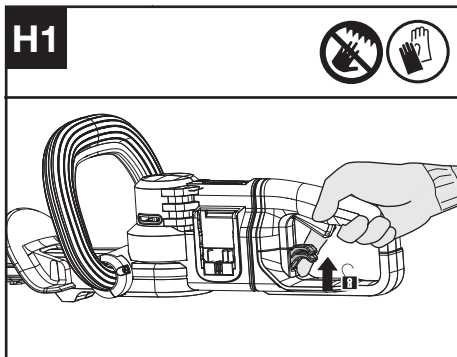
- Unlock the locking switch before rotating.
- After rotating the handle to the desired position, adjust it a little until a click can be heard.

! WARNING:

- Always make sure that the handle is locked in the desired position before operation.
- Always make sure the locking switch is locked

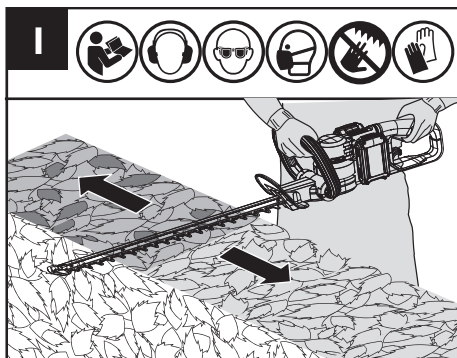
before starting the hedge trimmer.

- Do not rotate the handle when the trimmer is being operated.



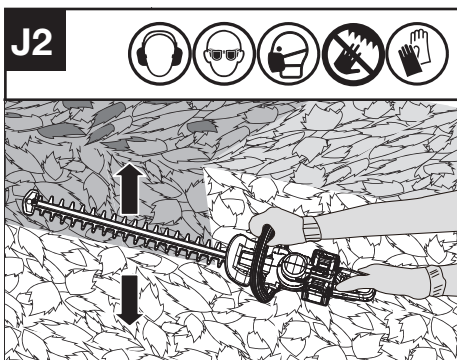
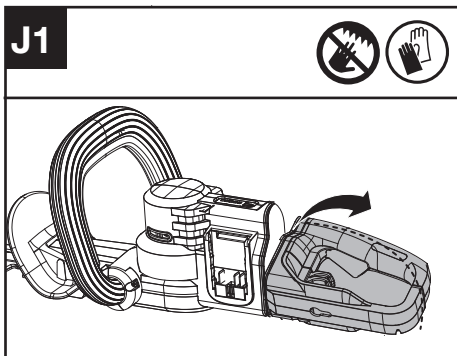
Top cutting (See Fig. I)

! WARNING: If any parts are missing, damaged or broken, do not operate your hedge trimmer until all damaged parts have been replaced or repaired. Failure to do so could result in serious personal injury. **DO NOT USE WITHOUT FRONT HANDLE AND SAFETY GUARD.**



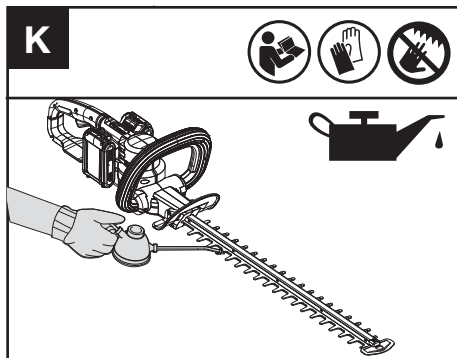
Side cutting (See Fig. J1, J2)

WARNING: Stop operating the trimmer before rotating the handle.



Lubricating the cutting blade (See Fig. K)

NOTE: It is important to use only the recommended standard lubricating oil (WD-40) to avoid damage to the blade.



HOW TO USE YOUR HEDGE TRIMMER

Before cutting an area, inspect it first and remove any foreign objects that could become thrown or entangled in the blades. Always hold the trimmer with both hands and with the blade away from you before turning it on.

When trimming new growth, use a wide sweeping action so that the stems are fed directly into the blade.

Allow the cutting blades to reach full speed before cutting. When operating, keep the cutting blades away from people and objects such as walls, large stones, trees, vehicles, etc.

If the blade stalls, immediately stop the trimmer. Release the Operator Presence Switch and Throttle Trigger before attempting to clear jammed debris from the cutting blades.

Wear gloves when trimming thorny or prickly growth.

Do not attempt to cut stems that are too thick for the cutting blade.

Top cutting

Use a wide sweeping motion. A slight downward tilt of the cutting blades in the direction of motion gives the best cutting results.

Side cutting

When trimming the sides of the hedge, begin at the bottom and cut upwards, tapering the hedge inward at the top. This shape will expose more of the hedge, resulting in a more uniform growth.

MAINTENANCE

Remove the battery from Hedge trimmer before carrying out any adjustment, servicing or maintenance.

There are no user serviceable parts in your power tool. Never use water or chemical cleaners to clean your power tool. Wipe clean with a dry cloth. Always store your power tool in a dry place. Keep the motor ventilation slots clean. Keep all working controls free of dust.

FOR BATTERY TOOLS:


The ambient temperature range for tool and battery use and storage is 32 °F-113 °F (0 °C-45 °C).

The recommended ambient temperature range for the charging system during charging is 32 °F-113 °F (0 °C-40 °C).

Positec USA, Inc. Charlotte, NC 28216 USA

TECHNICAL DATA

Type **KG285 KG285.X** (3 - designation of machinery, representative of battery-operated hedge trimmer)

| | KG285 KG285.X ** |
|----------------------------|---|
| Voltage | 40V  Max. (2x20V Max.) *** |
| No-load speed | 3400 /min |
| Blade length | 24" (61 cm) |
| Cutting length | 23" (58 cm) |
| Cutting diameter | 1" (27 mm) |
| Machine Weight (Bare Tool) | 5.96 lbs (2.7 kg) |

** Voltage measured without workload. Initial battery voltage reaches maximum of 20 volts. Nominal voltage is 18 volts.

*** X may be followed by one or two characters. All models are the same except model number and trademark. The suffix in models may be number from "1" to "999" or English letter "A" to "Z" or "M1" to "M9" which means different package or the various of accessories packed in the package.

SUGGESTED BATTERIES AND CHARGERS

| Category | Type | Capacity |
|-----------------|-------------|-----------------|
| 20V Battery | KAB02 | 2.0 Ah |
| 20V Charger | KAC04 | 4.0 A |

EN

We recommend that you purchase your accessories from the same store that sold you the tool. Refer to the accessory packaging for further details. Store personnel can assist you and offer advice.

TABLA DE CONTENIDO

| | |
|-----------------------------|----|
| Introduction..... | 12 |
| Lista de partes..... | 13 |
| Seguridad del producto..... | 14 |
| Instrucciones de uso..... | 18 |
| Mantenimiento..... | 21 |
| Datos técnicos..... | 22 |

INTRODUCTION

Estimado Cliente,

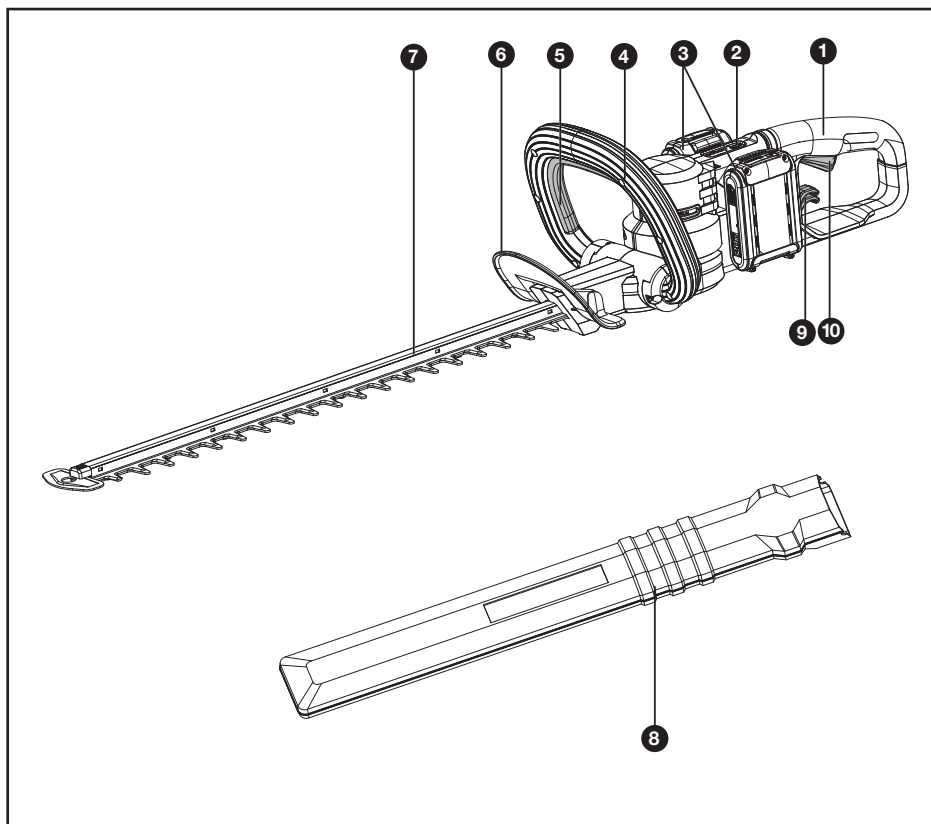
Gracias por comprar este producto Kress. Nos consagramos a desarrollar nuestros productos de calidad para satisfacer sus altas exigencias.

Kress respalda un servicio de calidad superior. Le garantizamos años de soporte de servicios. Si tiene cualquier duda o necesita consejo sobre este producto, puede buscar ayuda con nuestro Equipo de Servicios al Cliente.

Esperamos que disfrute trabajar con su producto Kress.

USO PRETENDIDO

Esta máquina está diseñada para usarse en el hogar para cortar y podar setos y arbustos.



LISTA DE PARTES

- | | |
|-----|---|
| 1. | MANIJA TRASERA GIRATORIA |
| 2. | LUZ INDICADORA DE ENERGÍA |
| 3. | BLOQUE DE BATERÍAS* |
| 4. | MANGO DELANTERO |
| 5. | INTERRUPTOR DE PRESENCIA DEL OPERADOR (FUNCIÓN DE INTERRUPTOR VERSÁTIL) |
| 6. | GUARDA PROTECTORA DE SEGURIDAD |
| 7. | CUCHILLA |
| 8. | FUNDA DE LA CUCHILLA |
| 9. | INTERRUPTOR DE BLOQUEO PARA ROTACIÓN |
| 10. | GATILLO ACELERADOR |
| 11. | PESTILLO PARA LA REMOCIÓN DEL BLOQUE DE BATERÍAS* (VEA LA FIG. E) |

* No todos los accesorios ilustrados o descritos están incluidos en la entrega estándar.

SEGURIDAD DEL PRODUCTO



¡ADVERTENCIA! El polvo creado al lijar, serruchar, pulir, taladrar o realizar otras actividades de la construcción, contiene sustancias químicas que se sabe producen cáncer, defectos de nacimiento u otros daños al sistema reproductor. Algunos ejemplos de esos productos químicos son:

- **I El plomo de las pinturas a base de plomo;**
- **I la sílice cristalina de los ladrillos, del cemento y de otros productos de albañilería;**
- **I El arsénico y el cromo de la madera tratada químicamente.**

El riesgo que se corre a causa del contacto con esos productos varía según la frecuencia con que usted realice este tipo de trabajos. Con el fin de reducir su exposición a esas sustancias químicas: **I** trabaje en un área bien ventilada, **I** utilice un equipo de seguridad adecuado, tal como una máscara contra el polvo especialmente diseñada para filtrar partículas microscópicas.



ADVERTENCIA: Este producto puede exponerlo a sustancias químicas, como plomo y di (2-etilhexilo) ftalato (DEHP), que el estado de California reconoce como causantes de cáncer y defectos de nacimiento u otros daños reproductivos. Para más información visite www.P65Warnings.ca.gov.

ADVERTENCIA DE SEGURIDAD GENERALES SOBRE HERRAMIENTAS ELÉCTRICAS



¡ Advertencia! Leer todas las instrucciones. Si no se respetan las instrucciones, existe un riesgo de descargas eléctricas, de incendio y/o de graves heridas.

Conserve todas las advertencias e instrucciones para futuras consultas.

El término "herramienta eléctrica" en todas las advertencias siguientes corresponde a la herramienta eléctrica con o sin cable.

1) Zona de trabajo

- Mantener su lugar de trabajo limpio y bien iluminado.** Bancos de trabajo desordenados y lugares oscuros invitan a los accidentes.
- No utilizar herramientas eléctricas en atmósferas explosivas, como por ejemplo en presencia de líquidos inflamables, gases o polvo.** Las herramientas eléctricas crean chispas que pueden encender el polvo o los vapores.
- Mantener alejados a los niños y visitantes**

mientras opera una herramienta eléctrica. Las distracciones pueden hacerle perder el control.

2) Seguridad eléctrica

- Los enchufes de la herramienta eléctrica deben encajar perfectamente en el tomacorriente. Nunca modificar el enchufe de ninguna manera. No utilizar adaptadores con herramientas eléctricas conectadas a tierra.** Los enchufes no modificados y los que encajan perfectamente en el tomacorriente reducirán el riesgo de descarga eléctrica.
- Evitar el contacto del cuerpo con superficies conectadas a tierra tales como caños, radiadores, cocinas y heladeras.** Existe un riesgo creciente de descarga eléctrica si su cuerpo queda conectado a tierra.
- No exponer las herramientas eléctricas a la lluvia y no guardar en lugares húmedos.** El agua que penetra en ellas aumentará el riesgo de una descarga eléctrica.
- No abusar del cable. Nunca utilizar el cable para transportar, tirar o desenchufar la herramienta eléctrica. Mantener el cable alejado del calor, del aceite, de bordes agudos o piezas móviles.** Los cables dañados o enredados aumentan el riesgo de descarga eléctrica.
- Cuando utilice su herramienta eléctrica al aire libre, emplear un prolongador apto para uso en exteriores.** El empleo de cables para uso al aire libre reduce el riesgo de descarga eléctrica.
- Si es necesario utilizar la herramienta motorizada en un lugar muy húmedo, utilice una fuente de alimentación con dispositivo de corriente residual (RCD).** El uso de un RCD reduce el riesgo de descarga eléctrica.

3) Seguridad personal

- Mantenerse alerta, poner atención en lo que está haciendo y utilice el sentido común mientras opera una herramienta eléctrica. No emplear la herramienta cuando se encuentre cansado o bajo la influencia de drogas, alcohol o medicación.** Un momento de falta de atención durante el manejo de herramientas eléctricas puede dar lugar a daños corporales serios.
- Utilizar equipo de seguridad. Usar siempre protección ocular.** Equipo de seguridad como máscaras contra el polvo, zapatos antideslizantes de seguridad, sombrero o protección auditiva para condiciones apropiadas reducirá daños corporales.
- Evite el arranque accidental. Asegúrese de que el interruptor se encuentra desactivado antes de enchufar la máquina o colocar la batería, al tomar la herramienta o transportarla.** Transportar herramientas con el dedo en el interruptor o enchufar la herramienta cuando el interruptor está encendido invitan a los accidentes.

- d) **Retire llaves de ajuste o llaves inglesas antes de poner la herramienta en funcionamiento.** *Una llave que queda unida a una pieza móvil de la herramienta puede originar daños corporales.*
- e) **No extralimitarse. Mantenerse firme y con buen equilibrio en todo momento.** *Esto permite un mejor control de la herramienta en situaciones inesperadas.*
- f) **Vestirse apropiadamente. No usar ropa suelta ni alhajas. Mantener su cabello, ropa y guantes alejados de las piezas móviles.** *La ropa suelta, las alhajas o el cabello largo pueden ser atrapados por las piezas móviles.*
- g) **Si se proporcionan dispositivos para la extracción y recolección de polvo, asegurarse de que estos estén conectados y utilizados correctamente.** *El uso de estos dispositivos puede reducir peligros relacionados con el polvo.*
- h) **No permita que la familiaridad obtenida a partir del uso frecuente de otras herramientas le permita volverse complaciente e ignorar los principios de seguridad de la herramienta.** *Una acción descuidada puede causar lesiones severas en una fracción de segundo.*
- 4) **Mantenimiento de la herramienta motorizada**
- a) **No forzar la herramienta eléctrica. Utilizar la herramienta eléctrica correcta para su aplicación.** *La herramienta eléctrica correcta hará el trabajo mejor y más seguro a la velocidad para la cual fue diseñada.*
- b) **No utilizar la herramienta eléctrica si el interruptor no la enciende o apaga.** *Cualquier herramienta eléctrica que no pueda ser controlada con el interruptor es peligrosa y debe ser reparada.*
- c) **Desconecte el enchufe de la toma eléctrica y/o la batería de la herramienta antes de realizar cualquier ajuste, cambiar un accesorio o guardar la herramienta.** *Tales medidas de seguridad preventivas reducen el riesgo de arranque accidental de la herramienta.*
- d) **Mantener las herramientas eléctricas que no usa fuera del alcance de los niños y no permita que personas no familiarizadas con la herramienta o con estas instrucciones maneje la herramienta eléctrica.** *Las herramientas eléctricas son peligrosas en manos de usuarios inexpertos.*
- e) **Mantenga las herramientas con cuidado. Compruebe la desalineación o el atasco de las piezas móviles, la ruptura de piezas y cualquier otra situación que pueda afectar el funcionamiento de las herramientas. Si la herramienta está dañada, hágala arreglar antes de usarla.** *Muchos accidentes son causados por herramientas mantenidas deficientemente.*
- f) **Conserve las herramientas de corte afiladas y limpias.** *Las herramientas mantenidas adecuadamente, con bordes de corte afilados, tienen menos probabilidades de atascarse y son más fáciles de controlar.*
- g) **Utilice la herramienta eléctrica, accesorios, brocas de la herramienta, etc. de acuerdo con estas instrucciones y de la manera adecuada para el tipo de herramienta eléctrica, teniendo en cuenta las condiciones de trabajo y el trabajo que se realizará.** *La utilización de la herramienta eléctrica para operaciones diferentes de aquellas para las que se encuentra diseñada podría dar lugar a una situación peligrosa.*
- h) **Mantenga las manijas y las superficies de sujeción secas, limpias y libres de aceite y grasa.** *Las manijas y superficies de sujeción resbaladizas no permiten el manejo y control seguros de la herramienta en situaciones inesperadas.*
- 5) **Utilización y mantenimiento de la batería**
- a) **Recargar solamente con el cargador indicado por el fabricante.** *Un cargador adaptado a un tipo de batería podría crear un riesgo de incendio si se utiliza con una diferente batería.*
- b) **Utilizar las herramientas eléctricas solamente con baterías especialmente adaptadas.** *La utilización de cualquier otra batería podría causar un riesgo de incendio o herida.*
- c) **Cuando la batería no está en uso, tenerla lejos de los objetos metálicos como los trombones, las piezas de moneda, las llaves, los clavos, los tornillos, o cualquier otro pequeño objeto metálico susceptibles de establecer una conexión de un terminal a otra.** *El cortocircuito de un terminal a otra puede causar quemaduras o un incendio.*
- d) **Hay una fuga de líquido de la batería. Evitar todo contacto. Si entre accidentalmente en contacto con este líquido, lavar con agua limpia. En caso de contacto con los ojos, consultar a un médico.** *El líquido presente en las baterías puede causar irritaciones o quemaduras.*
- e) **No use un paquete de batería o una herramienta que esté dañada o modificada.** *Las baterías dañadas o modificadas pueden presentar un comportamiento imprevisto que resulte en incendios, explosión o riesgo de lesiones.*
- f) **No exponga un paquete de batería o herramienta a fuego o temperatura excesiva.** *La exposición a fuego o temperatura mayor a 265°F (130 °C) pueden causar una explosión.*
- g) **Siga todas las instrucciones de carga y no cargue el paquete de batería o la herramienta fuera del rango de temperatura especificado en las instrucciones.** *Cargar inadecuadamente o en temperaturas fuera del rango especificado pueden dañar la batería e incrementar el riesgo de incendio.*
- 6) **Reparación**
- a) **Permitir que el mantenimiento de su herramienta eléctrica sea efectuado por una persona calificada usando solamente piezas de recambio idénticas.** *Esto es primordial*

para mantener la seguridad de la herramienta eléctrica.

- b) **Nunca dé servicio a paquetes de batería dañados.** *El servicio de paquetes de batería sólo debe ser realizado por el fabricante o proveedores de servicio autorizados.*

INSTRUCCIONES DE SEGURIDAD

- a) **Mantenga todas las partes de su cuerpo alejados de la cuchilla de corte. No remueva material cortado o sostener material a cortar cuando la cuchilla esté en movimiento.**

Después de apagar la herramienta la cuchilla continúa girando libremente. Un momento de falta de atención mientras está operando con la tijera cortasetos puede provocar serias lesiones personales.

- b) **Cargar la tijera cortasetos desde la manija teniendo la cuchilla de corte parada y tenga cuidado de no operar ningún interruptor de alimentación.** *El manejo apropiado de la tijera cortasetos reducirá posibles lesiones personales de la cuchilla de corte.*

- c) **Cuando transporte o guarde el cortasetos, coloque siempre la cubierta de la cuchilla.** *La manipulación adecuada del cortasetos reducirá el riesgo de lesiones personales por las cuchillas.*

- d) **Cuando limpie el material atascado o realice el mantenimiento de la unidad, asegúrese de que todos los interruptores de alimentación estén apagados y que la batería esté retirada o desconectada.** *Use guantes de cuero o a prueba de cortes. El accionamiento inesperado del cortasetos mientras se limpia el material atascado o se realiza el mantenimiento puede provocar lesiones personales graves.*

- e) **Sujete la herramienta eléctrica solamente por los mangos aislados, porque la cuchilla de corte puede tener contacto con alambres escondidos o con el propio cable.** *Si la cuchilla de corte tiene contacto con un cable bajo tensión puede dejar expuesto partes metales de la herramienta eléctrica con tensión y puede causar un shock eléctrico al operador.*

- f) **Mantenga todos los cables de alimentación y otros cables alejados del área de corte.** *Los cables de alimentación u otros cables pueden estar ocultos entre los setos o arbustos y pueden cortarse accidentalmente por la cuchilla.*

- g) **No utilice el cortasetos en condiciones de mal tiempo, especialmente cuando hay riesgo de rayos.** *Esto disminuye el riesgo de ser alcanzado por un rayo.*

- h) **Revisar la tijera para objetos desconocidos, por ejemplo alambradas.**

- i) **Sujete correctamente el cortasetos, por ejemplo, con ambas manos si se dispone de dos asas.**

- j) **El cortasetos está destinado a ser utilizado por el operador a nivel del suelo y no en escaleras ni ningún otro soporte inestable.**
- k) **Antes de utilizar el cortasetos, el usuario debe asegurarse de que el dispositivo o dispositivos de bloqueo de cualquier elemento móvil (por ejemplo, el eje extendido y el elemento pivotante), si los hay, estén en la posición de bloqueo.**
- l) **Dé mantenimiento a intervalos regulares a cualquier mecanismo de bloqueo ajustable.**

ADVERTENCIAS DE SEGURIDAD GENERAL PARA EL PAQUETE DE BATERÍA

- a) **No desensamble, abra o triture el paquete de batería.**
- b) **No exponga el paquete de batería a calor o fuego.** Evite guardar a la luz directa del sol.
- c) **No ponga en corto circuito el paquete de batería. No guarde el paquete de batería de forma aleatoria en una caja o cajón donde puedan ponerse en corto circuito entre sí o ponerse en corto circuito por otros objetos metálicos.** Cuando el paquete de batería no esté en uso, manténgalo alejado de otros objetos metálicos, como sujetadores de papel, monedas, llaves, clavos, tornillos u otros objetos metálicos pequeños que puedan establecer una conexión de una terminal a otra. El corto circuito de las terminales de la batería puede causar quemaduras o incendios.
- d) **No someta el paquete de batería a impacto mecánico.**
- e) **En el caso de fuga de la batería, no permita que el líquido entre en contacto con la piel o los ojos.** Si hay contacto, lave el área afectada con bastante agua y busque atención médica.
- f) **No use ningún paquete de batería que no esté diseñado para uso con el equipo.**
- g) **Mantenga el paquete de batería fuera del alcance de los niños.**
- h) **Siempre adquiera el paquete de batería recomendado por el fabricante del dispositivo para el equipo.**
- i) **Mantenga el paquete de batería limpio y seco.**
- j) **Limpie las terminales del paquete de batería con una tela seca limpia su se ensucian.**
- k) **El paquete de batería se necesita cargar antes del uso.** Siempre use el cargador correcto y consulte las instrucciones del fabricante o el manual del equipo para saber las instrucciones correctas de carga.
- l) **No deje el paquete de batería en carga prolongada cuando no esté en uso.**
- m) **Después de periodos prolongados de**

almacenamiento, puede ser necesario cargar y descargar el paquete de batería varias veces para obtener el desempeño máximo.

- n) Recargue únicamente con el cargador especificado por Kress. No use cargadores que no sean los específicamente suministrados para uso con el equipo.
- o) Conserve la literatura el producto original para referencia futura.
- p) Sólo use el paquete de batería en la aplicación para la que está diseñado.
- q) Retire el paquete de batería del equipo cuando no esté en uso.
- r) **Deséchelo adecuadamente.**
- s) **No mezcle celdas de diferente fabricación, capacidad, tamaño o tipo dentro del dispositivo.**
- t) **Mantenga la batería lejos de microondas y no la someta a altas presiones.**



Extraiga el enchufe de la toma eléctrica antes de llevar a cabo cualquier reparación o ajuste.



Use siempre unos guantes de protección



Las baterías pueden ingresar al ciclo del agua si se eliminan de manera inadecuada, lo que puede ser peligroso para el ecosistema. No deseche las baterías usadas como residuos municipales sin clasificar.



No arrojar al fuego

SÍMBOLOS


| | |
|--|---|
| | Para reducir el riesgo de lesiones, el usuario deberá leer el manual de instrucciones |
| | Advertencia |
| | Use protección auditiva |
| | Use lentes de seguridad |
| | Use máscara contra el polvo |
| | No exponer a la lluvia |
| | Mantenga manos y pies lejos del área de corte |
| | Batería de iones de litio. Recolección por separado. La batería deberá reciclarse. |


call2recycle®

POSITEC Inc. ha establecido una asociación con la empresa RBRC para el reciclaje de todas las baterías Positec que posean el sello RBRC-call2recycle. Para contribuir con la protección del medio ambiente, no deseche las baterías como residuos normales. Después de que haya finalizado el ciclo de vida útil de la batería, comuníquese al 1.800-822-8837 para acceder al servicio gratuito que realizará el desecho correcto de la batería.



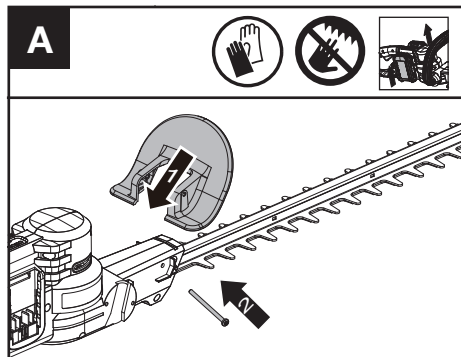
INSTRUCCIONES DE USO

 **NOTA:** Antes de usar la herramienta, lea atentamente el manual de instrucciones.

 **¡ADVERTENCIA!** No utilice el producto sin colocar la guarda protectora y el mango delantero.

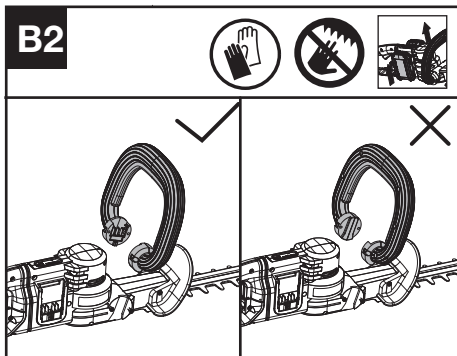
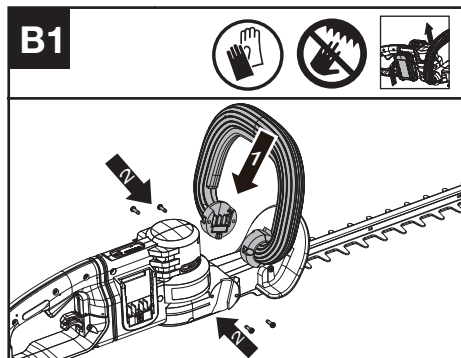
ENSAMBLE & FUNCIONAMIENTO ANTES DEL USAR SU CORTASETOS INALÁMBRICO

Ensamble de protección de seguridad (Vea la Fig. A)



Ensamble de manija frontal (Vea la Fig. B1, B2)

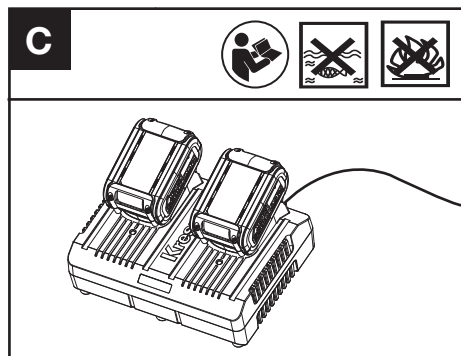
NOTA: La manija está diseñada para prevenir que se ensamble en la dirección incorrecta. Si encuentra que no se puede instalar, por favor voltéela.



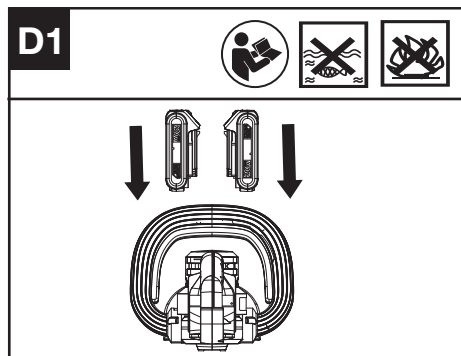
Carga de la batería (Vea la Fig. C)

NOTA:

- Su batería está DESCARGADA y debe cargarla antes de usarla.
- Siempre cargue completamente las dos baterías al mismo tiempo. Se pueden encontrar más detalles en el manual del cargador.



Instalación y desinstalación de paquete de batería (Vea la Fig. D1, D2)

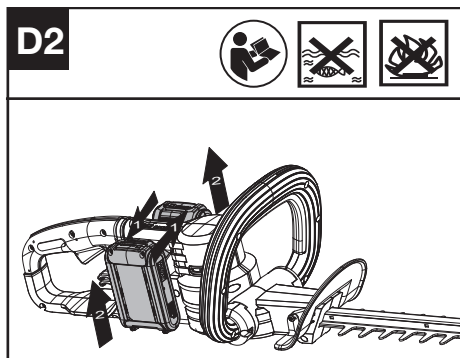


NOTA:

- Esta máquina sólo funcionará cuando se

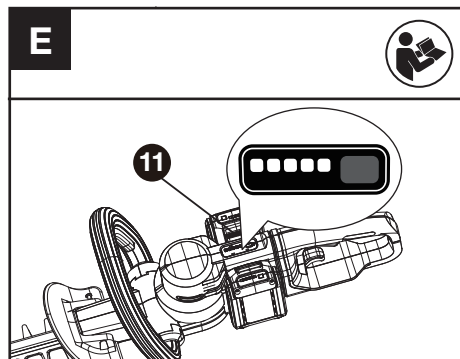
instalan las 2 baterías. Por favor siempre use dos baterías con la misma capacidad y cargue completamente las dos baterías.

- Cuando utilice dos baterías con diferente cantidad de energía, la máquina sólo funcionará con el denominador común inferior.



OPERACIÓN

Luz indicadora de energía (Vea la Fig. E)
 Consulte los detalles en la parte ESTADO DE BATERÍA



IMPORTANTE

Cuando sólo se enciende una luz, la batería está excesivamente descargada, a pesar de que la cortacésped puede continuar cortando césped. Si se continúa utilizando la cortacésped con la batería descargada, es posible que exista una reducción en la vida útil y en el rendimiento de la batería.

Cuando no se ilumine ninguna luz, por lo menos una batería no está instalada completamente o la batería está defectuosa, por favor vuelva a revisar que las baterías estén completamente asentadas en su posición.

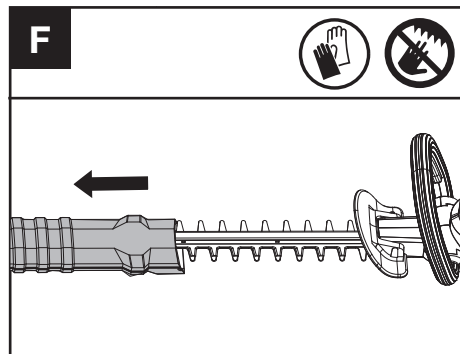
- Antes de comenzar o después del uso, presione el botón junto a la luz indicadora de encendido en la máquina para verificar la capacidad de la batería.
- Durante la operación, la capacidad de la batería se indicará automáticamente mediante el indicador de alimentación de la batería. El indicador detecta y muestra constantemente el

estado de la batería de la siguiente manera.

- Para la máquina con 2 paquetes de baterías con diferente potencia, la luz indicadora de encendido muestra el estado de la batería con la batería con menor carga.

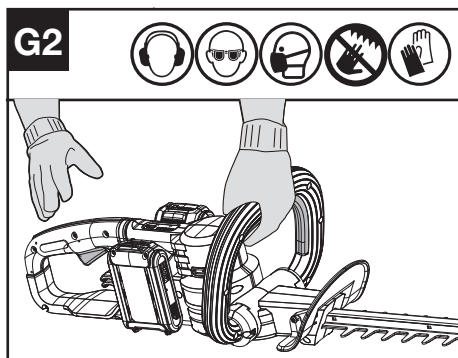
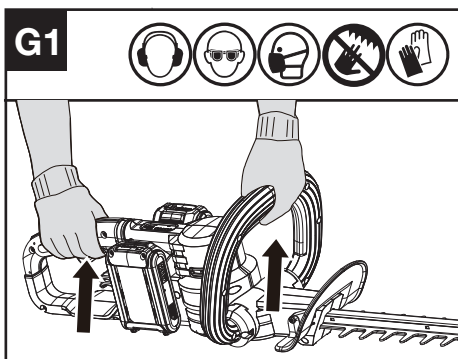
| Estado de indicador de energía de batería | Condición de batería |
|---|--|
| Se iluminan cinco luces verdes (). | Las dos baterías están en una condición completamente cargada. |
| Dos, tres o cuatro luces verdes están iluminadas. | Las dos baterías tienen carga restante. Mientras más luces estén iluminadas, mayor es la capacidad de la batería. |
| Sólo se ilumina una () luz verde. | Por lo menos una batería está descargada y se necesita cargar. |
| No hay ninguna luz iluminada. | Por lo menos una batería no está instalada completamente o la batería está defectuosa. |
| Sólo una luz parpadea dos veces por ciclo. | Por lo menos una batería está bastante descargada (consulte la condición de carga de la batería), por favor recargue las dos baterías a la vez antes de Volver a usar o guardar. |
| Sólo una luz parpadea tres veces por ciclo. | Por lo menos una batería está caliente, espere que se enfríe antes de Volver a comenzar. |
| Sólo una luz parpadea cuatro veces por ciclo. | La máquina está sobrecargada. Retire la herramienta del área de corte e intente de nuevo. |

Retire la funda de la cuchilla (Vea la Fig. F)

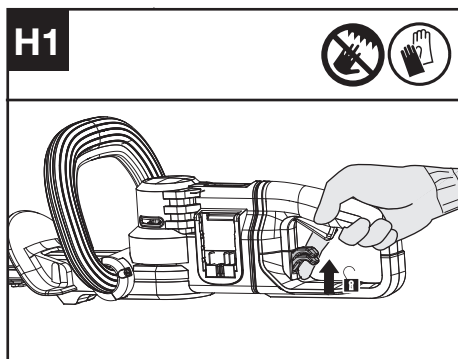


ES

Arranque y paro (Vea la Fig. G1, G2)



Manija trasera giratoria (Vea la Fig. H1, H2)



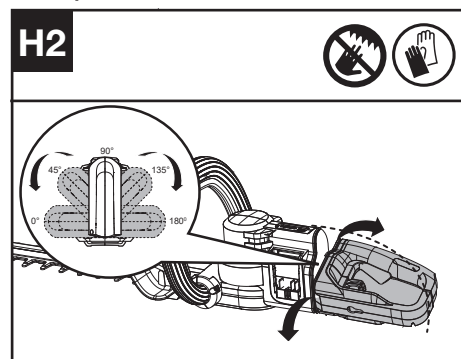
NOTA:

- Desbloquee el interruptor de bloqueo antes de girar.
- Después de girar la manija a la posición deseada, ajústela un poco hasta que se escuche un clic.

! ADVERTENCIA:

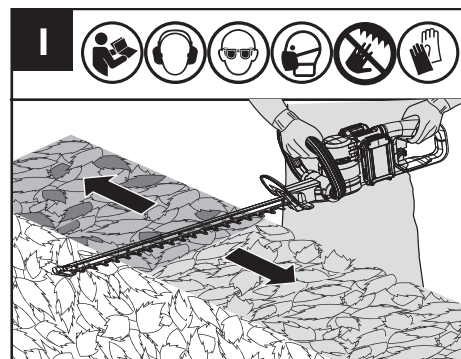
- Siempre asegúrese que la manija esté bloqueada en la posición deseada antes de la

- operación.
- Siempre asegúrese que el interruptor de bloqueo esté bloqueado antes de arrancar el cortasetos.
- No gire la manija cuando el cortasetos esté en operación.



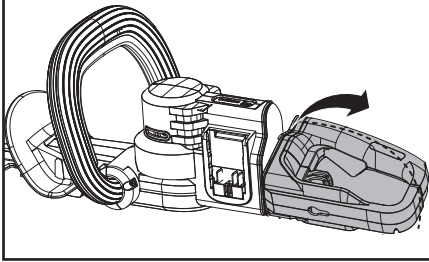
Corte superior (Vea la Fig. I)

- !** **ADVERTENCIA:** Si faltan piezas, o están dañadas o rotas, no utilice su cortasetos hasta que se hayan sustituido o reparado todas las piezas dañadas. La falta de acatamiento a esta regla podría dar lugar a daños corporales serios. **NO TRABAJE SIN EL MANGO Y LA GUARDA PROTECTORA INSTALADOS.**



Corte lateral (Vea la Fig. J1, J2)

- ADVERTENCIA:** Detenga la operación del cortasetos antes de girar la manija.

J1

siempre el cortasetos con ambas manos y con la cuchilla alejada de Ud.

Cuando corte césped nuevo, hágalo mediante un movimiento de barrido amplio, de modo que los tallos entren directamente en la cuchilla.

Deje que las cuchillas alcancen la velocidad máxima antes de cortar. Cuando maneje la máquina mantenga las cuchillas alejadas de las personas y de objetos tales como paredes, piedras grandes, árboles, vehículos, etc.

Si la cuchilla se atasca, apague inmediatamente la herramienta. Libere el gatillo acelerador y el interruptor de presencia del operador antes de intentar retirar los residuos atascados de las cuchillas de corte.

Use guantes cuando corte material espinoso.

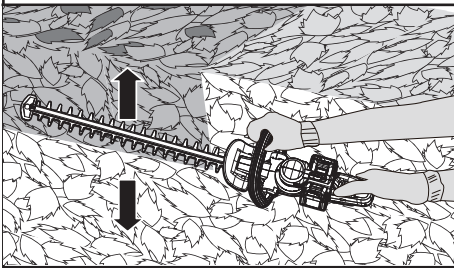
No intente cortar tallos demasiado gruesos para la cuchilla.

Corte superior

Emplee un movimiento de barrido amplio. Los mejores resultados se obtienen inclinando las cuchillas levemente hacia abajo y en la dirección del movimiento.

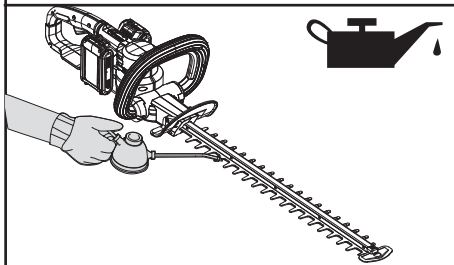
Corte lateral

Cuando efectúe la poda de los laterales del seto, comience desde el suelo y corte hacia arriba, estrechando el interior del seto en la parte superior. Este tipo de corte dejará expuesta una mayor superficie del seto, dando por resultado un crecimiento más uniforme.

J2

Lubricación del aspa de corte (Vea la Fig. K)

NOTA: Es importante usar sólo la barra estándar y el aceite de cadena recomendados (WD-40) para evitar daño a la cuchilla.

K

CÓMO USAR SU CORTASETOS

Antes de cortar una superficie, primero examínela y retire cualquier objeto extraño que pudiera ser lanzado por o quedar atascado en la cuchilla.

Antes de ponerlo en funcionamiento, sostenga

MANTENIMIENTO

Retire el Paquete de la batería de la herramienta antes de realizar cualquier ajuste, servicio o mantenimiento.

No posee piezas en su interior que puedan ser reparadas por el usuario. Nunca emplee agua o productos químicos para limpiar su herramienta. Use simplemente un paño seco. Guarde siempre su herramienta en un lugar seco. Mantenga limpias las ranuras de ventilación del motor. Mantenga todos los controles de operación libres de polvo.

PARA HERRAMIENTAS DE BATERÍA


El rango de temperatura ambiente para uso y almacenamiento de la herramienta y la batería es de 32 °F~113 °F (0 °C~45 °C).

El rango de temperatura ambiente recomendado para el sistema de carga durante la carga es de 32 °F~104 °F (0 °C~40 °C).

Positec USA, Inc. Charlotte, NC 28216 USA

DATOS TÉCNICOS

Denominación de tipo **KG285 KG285.X** (denominación - 250-299 de maquinaria, representativa de Cortasetos sin cable)

| | KG285 KG285.X ** |
|--------------------------------|---|
| Voltaje | 40V  Max. (2x20V Max.) *** |
| Velocidad sin carga | 3400 /min |
| Longitud de cuchilla | 24" (61 cm) |
| Longitud de corte | 23" (58 cm) |
| Diámetro de corte | 1" (27 mm) |
| Peso (Herramienta descubierta) | 5.96 lbs (2.7 kg) |

** X puede ser seguido por uno o dos caracteres. Todos los modelos son iguales, excepto el número de modelo y la marca registrada. El sufijo en los modelos puede ser un número del "1" al "999" o la letra inglesa "A" a "Z" o "M1" a "M9" que significa un paquete diferente o el Varios accesorios embalados en el paquete.

*** Voltaje medido sin carga de trabajo. El voltaje inicial de la batería alcanza un máximo de 20 V. El voltaje nominal es 18 V.

BATERÍAS Y CARGADORES SUGERIDOS

| ES | Categoría | Modelo | Capacidad |
|----|------------------|---------------|------------------|
| | 20V Batería | KAB02 | 2.0 Ah |
| | 20V Cargador | KAC04 | 4.0 A |

Le recomendamos que compre todos los accesorios en la tienda donde adquirió la herramienta. Consulte el empaque de los accesorios para obtener más detalles. El personal de la tienda también puede ayudarle y aconsejarle.

TABLE DES MATIÈRES

| | |
|---------------------------------|----|
| Introduction..... | 23 |
| Liste de composants..... | 24 |
| Instructions de sécurité..... | 25 |
| Instructions d'utilisation..... | 29 |
| Entretien..... | 32 |
| Données techniques..... | 33 |

INTRODUCTION

Cher client,

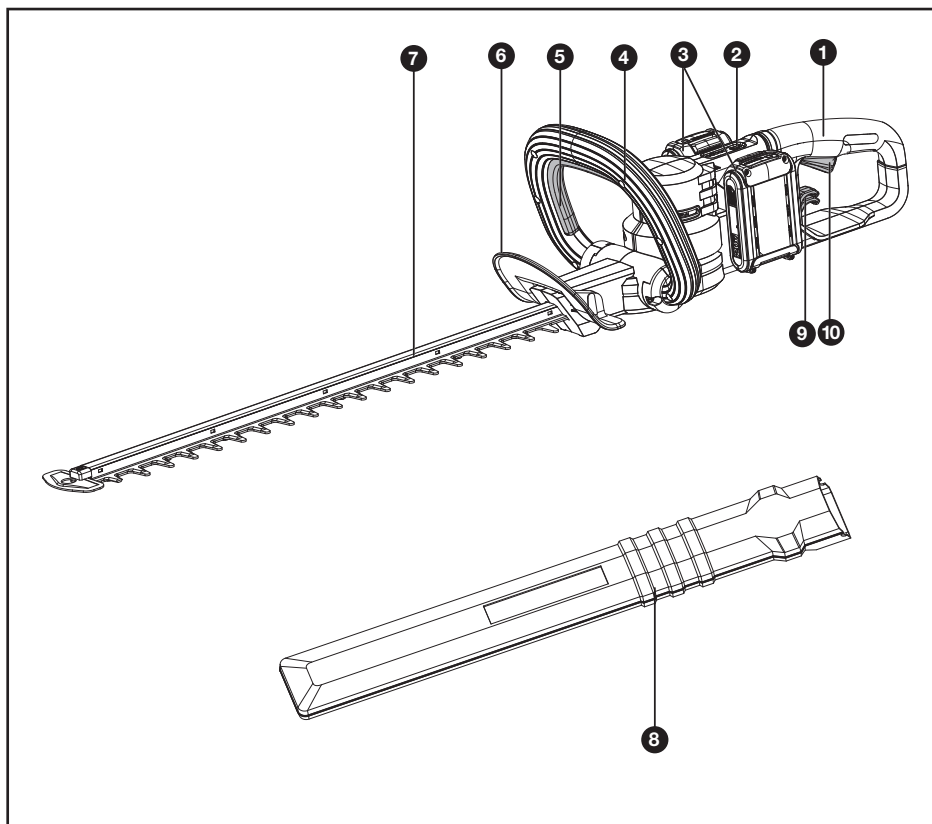
Merci d'avoir acheté ce produit Kress. Nous nous efforçons de développer des produits de qualité pour répondre à vos exigences les plus strictes.

Kress est synonyme de service de qualité supérieure. Nous vous garantissons des années d'assistance technique. Si vous avez des questions ou si vous avez besoin de conseils sur ce produit, vous pouvez contacter notre équipe du service à la clientèle pour obtenir de l'aide.

Nous espérons que vous aimerez travailler avec votre produit Kress.

UTILISATION PRÉVUE

Cette machine est destinée à une utilisation domestique pour la coupe et la taille de haies et de buissons.



F

LISTE DES ÉLÉMENTS

- | | |
|-----|--|
| 1. | POIGNÉE ARRIÈRE PIVOTANTE |
| 2. | TÉMOIN LUMINEUX D'ALIMENTATION |
| 3. | BLOC-PILES* |
| 4. | POIGNÉE AVANT |
| 5. | COMMUTATEUR DE PRÉSENCE D'OPÉRATEUR (FONCTION DE COMMUTATEUR SUR 360°) |
| 6. | GARDE DE SÉCURITÉ |
| 7. | LAME |
| 8. | GAINÉ DE LAME |
| 9. | VERROU DE BLOCAGE DE LA POIGNÉE PIVOTANTE |
| 10. | GÂCHETTE D'ACCÉLÉRATEUR |
| 11. | CRAN DE DÉGAGEMENT DU BLOC-PILES * (VOIR SCHÉMA E) |

* Les accessoires illustrés ou décrits ne sont pas tous compris dans le cadre de la livraison standard.

SÉCURITÉ DU PRODUIT



AVERTISSEMENT! des produits chimiques connus de l'état de Californie pour causer des cancers et des anomalies congénitales ou autre trouble reproductif. Voici des exemples de ces produits chimiques:

- Plomb issu de peinture à base de plomb
- Silice cristalline issue de briques et du ciment et autres produits de maçonnerie
- Arsenic et chrome issus de bois traité chimiquement

Votre risque de ces expositions varie en fonction de la fréquence à laquelle vous effectuez ce travail. Pour réduire votre exposition à ces produits chimiques: Travaillez dans une zone bien ventilée; Portez un équipement de sécurité approuvé, tel que des masques antipoussières spécialement conçus pour éliminer les particules microscopiques par filtrage.



AVERTISSEMENT : Ce dispositif peut vous exposer aux produits chimiques notamment le plomb et le di-phtalate (de 2-éthylhexyle) (DEHP) qui sont reconnus dans l'État de Californie comme causant des cancers et des anomalies congénitales ou d'autres anomalies de la reproduction. Pour en savoir plus, veuillez consulter le site www.P65Warnings.ca.gov.

AVERTISSEMENTS GÉNÉRAUX DE SÉCURITÉ POUR L'OUTIL



AVERTISSEMENT! Lisez et assimilez toutes les instructions. Le non-respect des instructions ci-après peut entraîner un risque de choc électrique, d'incendie et/ou de blessures graves.

Conservez tous les avertissements et instructions pour pouvoir les consulter ultérieurement.

L'expression « outil électrique » dans tous les avertissements énumérés ci-dessous se réfère à votre outil électrique fonctionnant sur secteur (branché) ou à batterie (sans-fil).

- 1) Sécurité de la zone de travail
- a) Conserver la zone de travail propre et bien éclairée. Les zones en désordre ou sombres sont propices aux accidents.
- b) Ne pas faire fonctionner les outils électriques en atmosphère explosive, par exemple en présence de liquides inflammables, de gaz ou de poussières. Les outils électriques produisent des étincelles qui peuvent enflammer les poussières ou les fumées.
- c) Maintenir les enfants et les personnes

présentes à l'écart pendant l'utilisation de l'outil. Les distractions peuvent vous faire perdre le contrôle de l'outil.

2) Sécurité électrique

- a) Il faut que les fiches de l'outil électrique soient adaptées au socle. Ne jamais modifier la fiche de quelque façon que ce soit. Ne pas utiliser d'adaptateurs avec des outils à branchement de terre. Des fiches non modifiées et des socles adaptés réduiront le risque de choc électrique.
- b) Éviter tout contact du corps avec des surfaces reliées à la terre telles que les tuyaux, les radiateurs, les cuisinières et les réfrigérateurs. Il existe un risque accru de choc électrique si votre corps est relié à la terre.
- c) Ne pas exposer les outils à la pluie ou à des conditions humides. La pénétration d'eau à l'intérieur d'un outil augmentera le risque de choc électrique.
- d) Ne pas maltraiter le cordon. Ne jamais utiliser le cordon pour porter, tirer ou débrancher l'outil. Maintenir le cordon à l'écart de la chaleur, du lubrifiant, des arêtes ou des parties en mouvement. Des cordons endommagés ou emmêlés augmentent le risque de choc électrique.
- e) Lorsqu'on utilise un outil à l'extérieur, utiliser un prolongateur adapté à l'utilisation extérieure. L'utilisation d'un cordon adapté à l'utilisation extérieure réduit le risque de choc électrique.
- f) Si l'usage d'un outil dans un emplacement humide est inévitable, utiliser une alimentation protégée par un dispositif à courant différentiel résiduel (DDR). L'usage d'un DDR réduit le risque de choc électrique.

3) Sécurité des personnes

- a) Restez vigilant, regardez ce que vous êtes en train de faire et faites preuve de bon sens dans votre utilisation de l'outil. Ne pas utiliser un outil lorsque vous êtes fatigué ou sous l'emprise de drogues, d'alcool ou de médicaments. Un moment d'inattention au cours de l'utilisation d'un outil peut entraîner des blessures graves.
- b) Utiliser un équipement de sécurité. Toujours porter une protection pour les yeux. Les équipements de sécurité tels que les masques contre les poussières, les chaussures de sécurité antidérapantes, les casques ou les protections acoustiques utilisés dans les conditions appropriées réduiront le risque de blessures.
- c) Éviter tout démarrage intempestif. S'assurer que l'interrupteur est en position arrêté avant de brancher l'outil au secteur et/ou au bloc de batteries, de le ramasser ou de le porter. Porter les outils en ayant le doigt sur l'interrupteur ou brancher des outils dont l'interrupteur est en position marche est source d'accidents.

d) **Retirer toute clé de réglage avant de mettre l'outil en marche.** Une clé laissée fixée sur une partie tournante de l'outil peut entraîner des blessures.

e) **Ne pas se précipiter. Garder une position et un équilibre adaptés à tout moment.** Cela permet un meilleur contrôle de l'outil dans des situations inattendues.

f) **Habilitez-vous convenablement. Ne portez ni vêtements flottants ni bijoux. Gardez les cheveux, les vêtements et les gants éloignés des pièces en mouvement.** Les vêtements flottants, les bijoux ou les cheveux longs risquent d'être happés par des pièces en mouvement.

g) **Si des dispositifs sont fournis pour le raccordement d'équipements pour l'extraction et la récupération des poussières, s'assurer qu'ils sont connectés et correctement utilisés.** Utiliser des collecteurs de poussière peut réduire les risques dus aux poussières.

h) **Ne laissez pas les habitudes acquises par une utilisation fréquente d'outils relâcher notre vigilance et ignorer les principes de sécurité des outils.** Une utilisation négligente peut causer des blessures graves en une fraction de seconde.

F

4) **Utilisation et entretien de l'outil**

a) **Ne pas forcer l'outil. Utiliser l'outil adapté à votre application.** L'outil adapté réalisera mieux le travail et de manière plus sûre au régime pour lequel il a été construit.

b) **Ne pas utiliser l'outil si l'interrupteur ne permet pas de passer de l'état de marche à celui d'arrêt et vice versa.** Tout outil qui ne peut pas être commandé par l'interrupteur est dangereux et doit être réparé.

c) **Débrancher la fiche de la source d'alimentation secteur et/ou le bloc de batteries de l'outil avant tout réglage, changement d'accessoires ou avant de ranger l'outil.** De telles mesures de sécurité préventives réduisent le risque de démarrage accidentel de l'outil.

d) **Conserver les outils à l'arrêt hors de la portée des enfants et ne pas permettre à des personnes ne connaissant pas l'outil ou les présentes instructions de le faire fonctionner.** Les outils sont dangereux entre les mains d'utilisateurs novices.

e) **Prenez soin de bien entretenir les outils. Soyez attentif à tout désalignement ou coincement des pièces en mouvement, à tout bris ou à toute autre condition préjudiciable au bon fonctionnement de l'outil. Si vous constatez qu'un outil est endommagé, faites-le réparer avant de vous en servir.** De nombreux accidents sont causés par des outils en mauvais état.

f) **Garder affûtés et propres les outils permettant de couper.** Des outils destinés à couper correctement entretenus avec des

pièces coupantes tranchantes sont moins susceptibles de rester bloqués et sont plus faciles à contrôler.

g) **Utilisez l'outil électrique, les accessoires et les forets etc., en conformité avec ces instructions et de la manière conçue pour le type particulier d'outil électrique, prend en compte les conditions de travail et le travail qui doit être accompli.** L'utilisation de l'outil pour des opérations différentes de celles prévues pourrait donner lieu à des situations dangereuses.

h) **Maintenez les poignées et les surfaces de prise sèches, propres et exemptes d'huile et de graisse.** Des poignées et surfaces de prise glissantes ne permettent pas une manipulation et un contrôle sécurisés de l'outil dans des situations inattendues.

5) **Utilisation des outils fonctionnant sur batteries et précautions d'emploi**

a) **Ne recharger qu'avec le chargeur spécifié par le fabricant.** Un chargeur qui est adapté à un type de bloc de batteries peut entraîner un risque d'incendie lorsqu'il est utilisé avec un autre type de bloc de batteries.

b) **N'utiliser les outils qu'avec des blocs de batteries spécifiquement désignés.** L'utilisation de tout autre bloc de batteries peut entraîner un risque de blessure et d'incendie.

c) **Lorsqu'un bloc de batteries n'est pas utilisé, le maintenir à l'écart de tout autre objet métallique, par exemple trombones, pièces de monnaie, clés, clous, vis ou autres objets de petite taille qui peuvent donner lieu à une connexion d'une borne à une autre.** Le court-circuitage des bornes d'une batterie entre elles peut causer des brûlures ou un incendie.

d) **Dans de mauvaises conditions, du liquide peut être éjecté de la batterie; éviter tout contact.** En cas de contact accidentel, nettoyer à l'eau. Si le liquide entre en contact avec les yeux, rechercher en plus une aide médicale. Le liquide éjecté des batteries peut causer des irritations ou des brûlures.

e) **N'utilisez pas une batterie ou un outil endommagé ou modifié.** Les batteries endommagées ou modifiées peuvent avoir un comportement imprévisible entraînant un incendie, une explosion ou un risque de blessure.

f) **N'exposez pas une batterie ou un outil au feu ou à une température excessive.** Une exposition au feu ou à une température supérieure à 130 °C (265 °F) pourrait provoquer une explosion.

g) **Respectez toutes les instructions de chargement et ne chargez pas la batterie ou l'outil en dehors de la plage de température spécifiée dans les instructions.** Un chargement incorrect ou à des températures en dehors de la plage spécifiée peut endommager la batterie et augmenter le risque d'incendie.

6) ENTRETIEN

- a) **Ayez votre outil électrique entretenu par un réparateur agréé n'utilisant que des pièces de rechange identiques.** *Cela assurera que la sécurité de l'outil électrique est maintenue.*
- b) **Ne jamais tenter de réparer des batteries endommagées.** *L'entretien et la réparation des batteries doit uniquement être effectué par le fabricant ou par des centres de services agréés.*

CONSIGNES DE SÉCURITÉ

- a) **Maintenez toutes les parties du corps éloignées de la lame. Ne tentez jamais d'enlever les branches coupées ou ne tenez jamais les branches à couper lorsque la lame est en mouvement.** *La lame s'arrête lentement lorsque l'appareil est mis hors tension. Un moment d'inattention lorsque vous utilisez la taille-haie peut résulter en des blessures corporelles graves.*
- b) **Portez la taille-haie par la poignée et l'appareil hors tension en faisant attention de ne pas actionner le commutateur de mise sous tension.** *Une manipulation sécuritaire du taillehaie préviendra les blessures corporelles possibles causées par la lame.*
- c) **Avant le transport ou le stockage du taillehaie, installez toujours le capot de protection de la lame.** *Pour éviter les risques de blessures causées par les lames, portez la taille-haie de la manière indiquée.*
- d) **Pour retirer les matériaux coincés ou pour l'entretien de l'appareil, assurez-vous que tous les interrupteurs d'alimentation sont désactivés et que la batterie est retirée ou déconnectée.** *Portez des gants en cuir ou anticoupure. Le démarrage inattendu du taillehaie pendant le retrait du matériau coincé ou l'entretien peut entraîner des blessures graves.*
- e) **Ne tenez l'appareil électrique que par les surfaces isolées de tenue puisque la lame pourrait entrer en contact avec du câblage caché ou son propre cordon d'alimentation.** *La lame entrant en contact avec un fil sous tension peut mettre les parties métalliques de l'appareil sous tension, ce qui pourrait causer un choc électrique à l'opérateur.*
- f) **Éloignez tous les cordons d'alimentation et câbles de la zone de coupe.** *Des cordons d'alimentation ou des câbles peuvent être cachés dans des haies ou des buissons et peuvent être coupés accidentellement par la lame.*
- g) **Ne pas utiliser la taille-haie dans de mauvaises conditions météorologiques, en particulier lorsqu'il y a un risque de foudre.** *Cela diminue le risque d'être frappé par la foudre.*
- h) **Vérifiez la haie pour la présence d'objets étrangers, p. ex. une clôture métallique.**
- i) **Tenez la taille-haie correctement, par exemple avec les deux mains si deux**





poignées sont fournies.

- j) **Le taille-haie est destiné à être utilisé au niveau du sol et non sur des échelles ou tout autre support instable.**
- k) **Avant d'utiliser la taille-haie, l'utilisateur doit s'assurer que le ou les dispositifs de verrouillage de tout élément mobile (par exemple l'arbre d'extension et l'élément pivotant), le cas échéant, sont en position verrouillée.**
- l) **Prévoyez d'installer un mécanisme d'arrêt réglable à intervalles réguliers.**

CONSIGNES GÉNÉRALES DE SÉCURITÉ CONCERNANT LA BATTERIE

- a) **Ne pas démonter, ouvrir ou déchiqueter le bloc batterie.**
- b) **Ne pas exposer le bloc batterie à la chaleur ou au feu.** *Évitez de ranger la batterie dans un endroit exposé à la lumière directe du soleil.*
- c) **Ne pas court-circuiter une batterie. Ne stockez pas les blocs batterie en vrac dans une boîte ou un tiroir où ils peuvent se court-circuiter ou être court-circuités par d'autres objets métalliques.** *Lorsque le bloc batterie n'est pas utilisé, conservez-le loin d'autres objets métalliques, tels que des trombones, des pièces de monnaie, des clés, des clous, des vis ou d'autres objets métalliques de petite taille, qui pourraient établir une connexion d'un terminal à l'autre. Le fait de créer un court-circuit entre les bornes de la batterie peut causer des brûlures ou des incendies.*
- d) **Ne pas soumettre la batterie à des chocs mécaniques.**
- e) **En cas de fuite de la batterie, ne pas laisser le liquide entrer en contact avec la peau ou les yeux.** *Si un contact a été effectué, laver la zone touchée avec beaucoup d'eau et consulter un médecin.*
- f) **Ne pas utiliser de batterie qui n'a pas été conçue pour être utilisée avec cet appareil.**
- g) **Maintenez la batterie hors de portée des enfants.**
- h) **Achetez toujours une batterie recommandée par le fabricant de l'appareil.**
- i) **Conservez le bloc batterie propre et sec.**
- j) **Essayez les bornes de la batterie avec un chiffon propre et sec si elles deviennent sales.**
- k) **La batterie doit être chargée avant son utilisation.** *Utilisez toujours le chargeur adapté et reportez-vous aux instructions du fabricant ou au manuel de l'équipement pour suivre les instructions concernant la procédure de charge.*

- l) Ne laissez pas le bloc batterie en charge prolongée lorsqu'il n'est pas utilisé.
- m) Après de longues périodes de stockage, il peut être nécessaire de charger et de décharger la batterie plusieurs fois pour obtenir des performances optimales.
- n) Rechargez le bloc batterie uniquement avec le chargeur spécifié par Kress. N'utilisez pas un chargeur autre que celui spécifiquement conçu pour être utilisé avec l'équipement.
- o) Conservez la documentation originale du produit pour référence ultérieure.
- p) Utilisez uniquement la batterie dans l'application pour laquelle elle a été prévue.
- q) Retirez la batterie de l'équipement lorsqu'il n'est pas utilisé.
- r) Éliminez la batterie de façon adéquate.
- s) Ne pas mélanger des cellules de fabricants, de capacités, de tailles ou de type différents dans un appareil.
- t) N'exposez pas la batterie à des micro ondes et de la haute pression.

| | |
|---|---|
|  | Retirez la prise de la prise murale avant d'effectuer n'importe quel travail de réglage, de réparation ou d'entretien. |
|  | Toujours porter des gants de protection |
|  | Les batteries peuvent s'introduire dans le cycle de l'eau si elles sont éliminées de manière inappropriée, ce qui peut être dangereux pour l'écosystème. Ne pas éliminer les batteries usagées avec les déchets municipaux non triés. |
|  | Ne pas jeter au feu |

SYMBOLES


| | |
|--|--|
|  | Afin de réduire les risques de blessure, l'utilisateur doit lire ce mode d'emploi. |
|  | Avertissement |
|  | Portez une protection auditive |
|  | Portez un protecteur oculaire |
|  | Portez un masque antipoussières |
|  | Ne pas exposer à la pluie et à l'eau |
|  | Gardez les mains et les pieds hors de l'aire de coupe |
|  Li-Ion | Batterie Li-ion. Les batteries doivent être recyclées en collecte sélective |


call2recycle®

POSITEC Inc. a formé un partenariat avec RBRC Corporation pour le recyclage des batteries Positec portant le sceau RBRC-call2recycle. Pour la protection de l'environnement, veillez à ne pas jeter les batteries aux poubelles. À la fin du cycle de vie de la batterie, appelez 1.800-822-8837 pour un service gratuit qui mettra la batterie au rebut selon les règles de l'art.



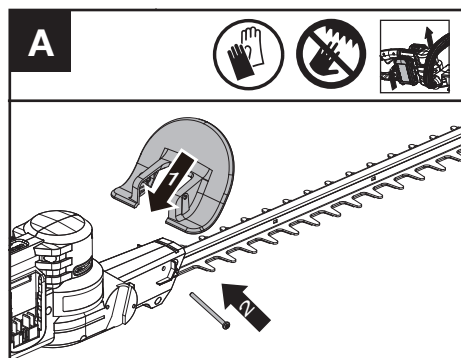
INSTRUCTIONS D'UTILISATION

 **REMARQUE :** Avant d'utiliser cet outil, assurez-vous de lire attentivement le manuel d'utilisation.

 **AVERTISSEMENT!** N'utilisez pas l'outil sans lui avoir fixé son garde protecteur et sa poignée frontale.

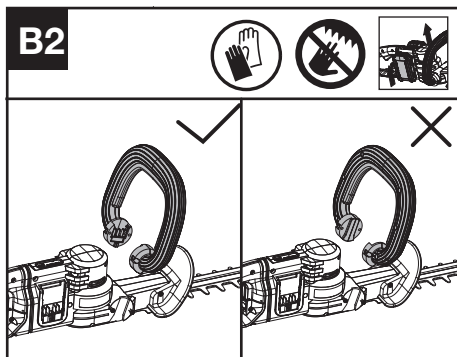
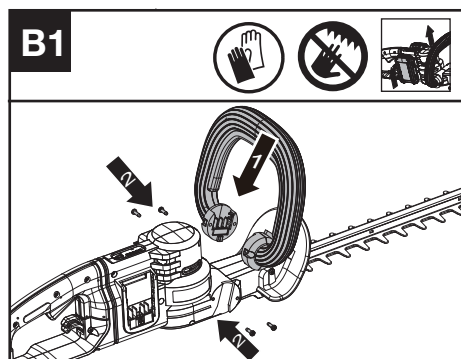
ASSEMBLAGE & FONCTIONNEMENT AVANT D'UTILISER VOTRE TAILLE-HAIES SANS CORDON

Montage du matériau de sécurité (Voir Schéma A)



Montage de la poignée (Voir Schéma B1, B2)

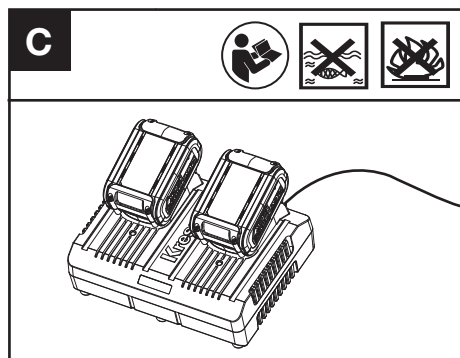
REMARQUE: La poignée est conçue afin de ne pouvoir être assemblée dans le mauvais sens. Si vous constatez qu'elle ne peut pas être installée, veuillez la retourner.



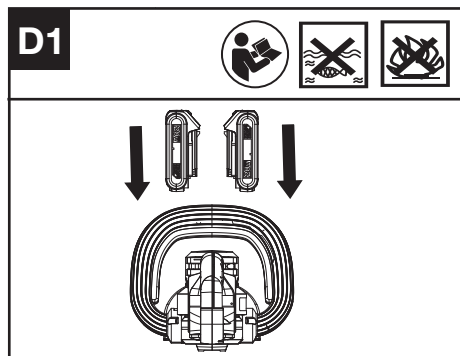
Recharge de la batterie (Voir Schéma C)

REMARQUE:

- Votre bloc-pile n'est PAS CHARGÉ. Il faut donc le recharger une fois avant d'utiliser l'outil.
- Veillez à toujours charger les deux batteries en même temps. Des informations supplémentaires sont disponibles dans le manuel du chargeur.



Installation et désinstallation de la batterie (Voir Schéma D1, D2)

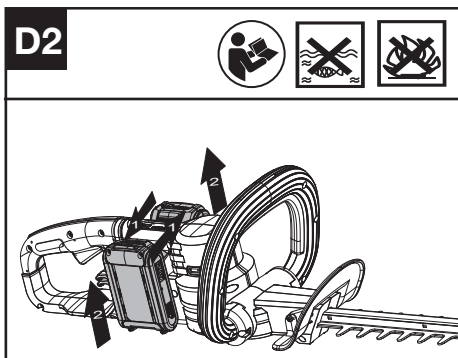


REMARQUE:

- Cette machine ne fonctionnera que lorsque

2 batteries sont installées. Assurez-vous de toujours utiliser deux batteries de même capacité; et de complètement recharger les deux batteries.

- Lorsque vous utiliserez deux batteries avec différentes puissances, la machine fonctionnera uniquement au plus petit dénominateur commun.



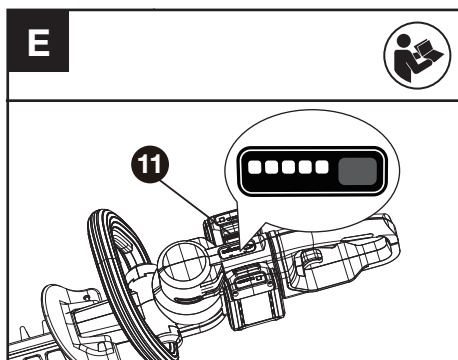
FONCTIONNEMENT

Témoin lumineux d'alimentation (Voir Schéma E)

Voir les détails dans la partie ÉTAT DE LA BATTERIE

IMPORTANT:

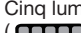
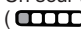
Lorsqu'un seul voyant est allumé, votre batterie est trop déchargée, même si la tondeuse peut encore être capable de couper l'herbe. De continuer à faire fonctionner votre tondeuse avec la batterie dans cette condition déchargée peut réduire la vie et la performance de votre batterie. Lorsque aucun voyant n'est allumé, au moins une batterie n'est pas convenablement installée ou une batterie est défectueuse, vérifiez que les batteries sont bien en place.



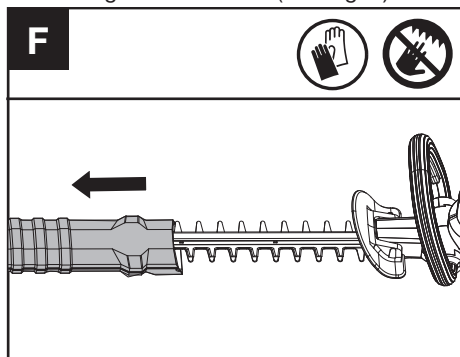
- Avant de démarrer ou après utilisation, appuyez sur le bouton près du voyant lumineux de mise sous tension sur la machine pour vérifier la capacité de la batterie.
- Au cours du fonctionnement, la capacité de la

batterie sera indiquée automatiquement par l'indicateur de tension de la batterie. L'indicateur détecte et affiche constamment l'état de la batterie comme suit.

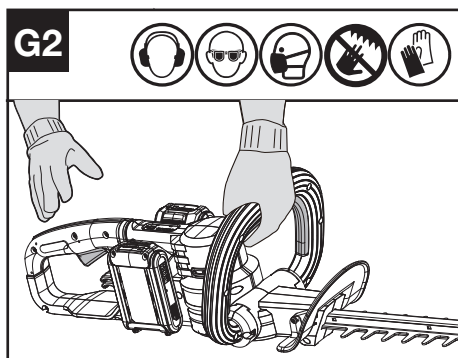
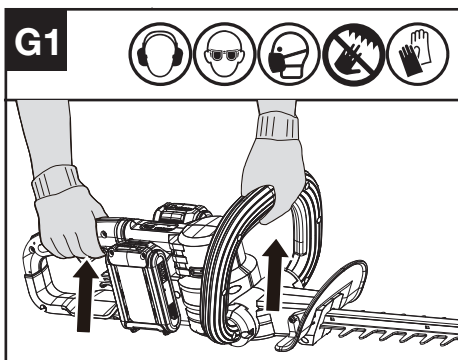
- Pour la machine de 2 batteries avec différentes puissances, le voyant lumineux de mise sous tension affiche l'état de la batterie avec la plus faible des deux batteries.

| Statut indicateur d'alimentation de la batterie | État de la batterie |
|---|--|
| Cinq lumières vertes () sont allumées. | Les deux batteries présentent un niveau de charge élevé. |
| Deux, trois ou quatre lumières vertes sont allumées. | Les deux batteries ont une charge restante. Plus de lumières sont allumées, plus la capacité de la batterie est importante. |
| Un seul voyant vert () s'allume. | Au moins une batterie est déchargée et doit être rechargée. |
| Aucun voyant ne s'allume. | Au moins une batterie n'est pas convenablement installée ou la batterie est défectueuse. |
| Un seul voyant clignote deux fois par cycle. | Au moins une batterie est déchargée (Veuillez vous référer à la section Niveau de charge de la batterie), veuillez recharger les deux batteries immédiatement avant la réutilisation ou le stockage. |
| Un seul voyant clignote trois fois par cycle. | Au moins une batterie est chaude, patientez qu'elles se refroidissent avant de redémarrer. |
| Un seul voyant clignote quatre fois par cycle. | La machine a une surcharge. Retirez l'outil de la zone de coupe et essayez à nouveau. |

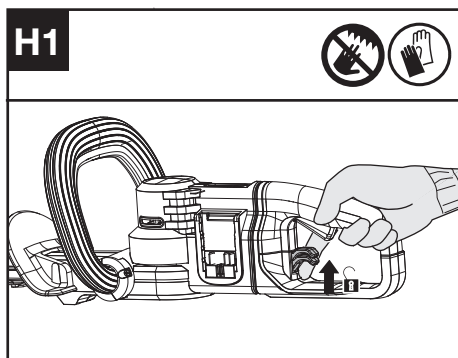
Retirez la gaine de la lame (Voir Fig. F)



Démarrage et arrêt (Voir Fig.G1, G2)



Poignée arrière pivotante (Voir Fig.H1, H2)



REMARQUE:

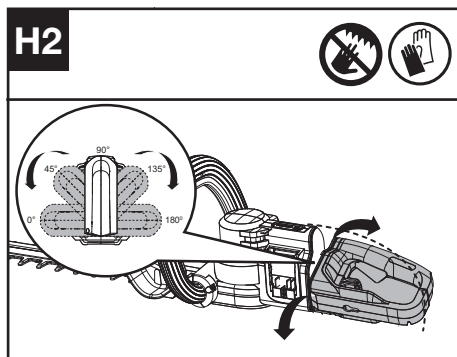
- Débloquez le verrou avant de faire pivoter la poignée.
- Après avoir fait pivoter la poignée dans la position désirée, bougez-la légèrement jusqu'à entendre un clic.

AVERTISSEMENT:

- Assurez-vous toujours que la poignée est

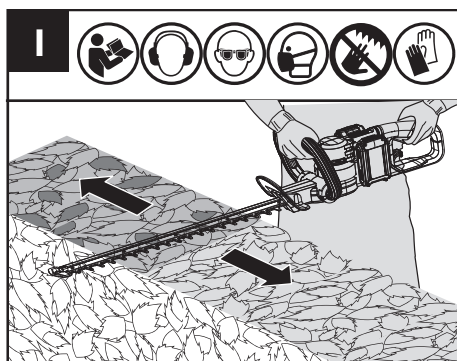
verrouillée dans la position souhaitée avant utilisation de l'appareil.

- Assurez-vous toujours que le dispositif de verrouillage soit bien verrouillé avant de démarrer le taille-haie.
- Ne pas faire pivoter la poignée pendant que le coupe-haie est en cours d'utilisation.



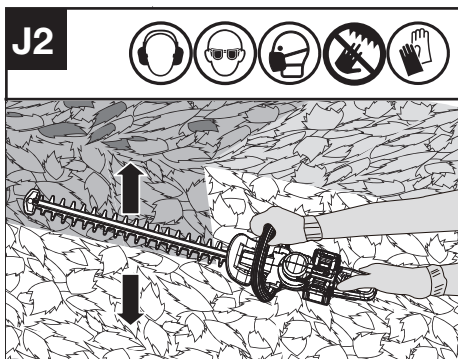
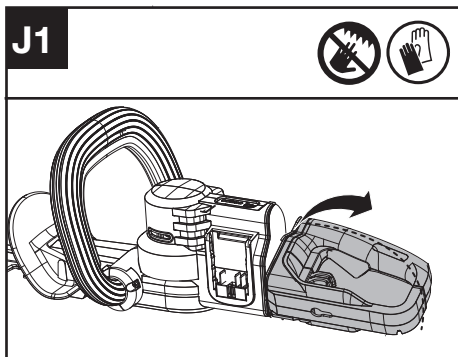
Taille de dessus (Voir Fig. I)

AVERTISSEMENT: Si une pièce ou l'autre du taille-haies est manquante, brisée ou en mauvais état, n'utilisez pas votre taille-haies avant d'avoir fait les remplacements/réparations nécessaires sinon il y aura risque élevé de blessures graves. N'UTILISEZ PAS L'OUTIL SANS SES POIGNÉES ET GARDE-PROTECTEUR.



Taille latérale (Voir Fig. J1, J2)

AVERTISSEMENT: Assurez-vous d'arrêter le taille-haie avant de faire pivoter la poignée.



VOTRE TAILLE-HAIE

Avant d'effectuer une coupe sur une section de haie, inspectez la et retirez tout objet étranger qui pourrait se prendre dans la lame ou être projeté. Pour la mise en marche du taille-haies, tenez le toujours des deux mains en gardant sa lame éloignée de vous.

Pour la taille de nouvelles pousses, faites de grand mouvements en va et vient pour que les tiges soient directement présentées à la lame. Avant de débiter la coupe, laissez la lame atteindre sa pleine vitesse. Lorsque l'outil est en marche, gardez toujours sa lame éloignée de personnes et objets tels les murs, les grosses pierres, les arbres, les véhicules etc.

Si la lame se bloque, arrêtez immédiatement l'outil. Relâchez la gâchette de l'accélérateur et le commutateur de présence de l'opérateur avant de tenter de dégager les débris coincés dans les lames de coupe.

Pour le travail de coupe dans des bosquets épineux et piquants, portez des gants protecteurs. N'essayez pas de couper des branches trop grosses pour la lame.

Coupe sur le dessus

Faites de grands mouvements de va et vient. Une légère inclinaison vers le bas du devant de la lame (en direction du mouvement) donne le meilleur résultat de coupe.

Coupe longitudinale

Pour les coupes longitudinales de haies, débutez à la base et coupez vers le haut en faisant un biseau de la haie à sa partie supérieure. Cette forme créera une plus grande surface d'exposition de la haie qui produira une croissance plus uniforme.

ENTRETIEN

Retirer le bloc-piles de l'outil avant d'effectuer tout ajustement, entretien ou maintenance.

Il ne comporte aucune pièce à réparer ou à entretenir par l'utilisateur. N'utilisez jamais de l'eau ou des nettoyants chimiques pour nettoyer l'outil. Essuyez-le avec un chiffon sec. Rangez toujours votre outil dans un endroit sec. Gardez propres les ouvertures de ventilation du moteur. gAqas[®]

POUR LES OUTILS DE LA BATTERIE

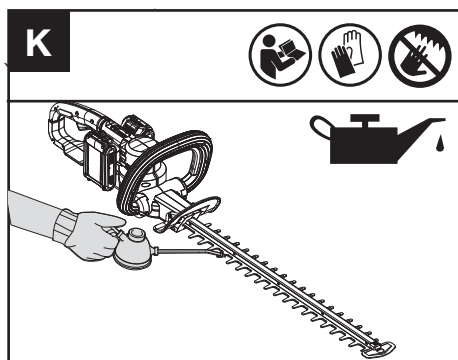
La plage de température ambiante pour l'utilisation et le stockage de l'outil et de la batterie est 0 °C à 45 °C (32 °F~113 °F).

La plage de température ambiante recommandée pour le système de charge pendant la charge est de 0 °C à 40 °C (32 °F~113 °F).

Positec USA, Inc. Charlotte, NC 28216 USA

Lubrification des lames de coupe (Voir Fig. K)


REMARQUE: Il est important d'utiliser uniquement la broche standard et l'huile à chaîne recommandées (WD-40) pour éviter d'endommager la taille-haies.



COMMENT UTILISER

DONNÉES TECHNIQUES

Type **KG285 KG285.X (250-299- Désignation des machines, modèle de Taille haie sans fil)**

| | KG285 KG285.X ** |
|----------------------------|---|
| Tension nominale | 40V  Max. (2x20V Max.) *** |
| Vitesse nominale à vide | 3400 /min |
| Longueur de la lame | 61 cm (24") |
| Longueur de coupe | 58 cm (23") |
| Diamètre de coupe | 27 mm (1") |
| Poids de l'outil(Outil nu) | 2.7 kg (5.96 lbs) |

** X peut être suivi d'un ou deux caractères. Tous les modèles sont identiques, sauf le numéro de modèle et la marque. Le suffixe dans les modèles peut être un nombre allant de « 1 » à « 999 » ou une lettre anglaise « A » à « Z » ou « M1 » à « M9 » qui signifie la différence entre les paquets ou les accessoires emballés dans l'emballage.

*** Tension mesurée hors fonctionnement. La tension initiale de la batterie atteint le maximum de 20 volts. La tension nominale est de 18 volts.

BATTERIES ET CHARGEURS RECOMMANDÉS

| Catégorie | Modèle | Capacité |
|------------------|---------------|-----------------|
| 20V Batterie | KAB02 | 2.0 Ah |
| 20V Chargeur | KAC04 | 4.0 A |

Nous vous recommandons d'acheter tous vos accessoires du même magasin qui vous a vendu l'outil. Pour de plus amples renseignements, consultez l'emballage de l'accessoire. Le personnel du magasin peut également vous conseiller.

F

Kress 

Copyright © 2023, Positec. All Rights Reserved.
Copyright © 2023, Positec. Tous droits réservés.

© Derechos reservados 2023, Positec. Todos los derechos reservados.

AR01695100