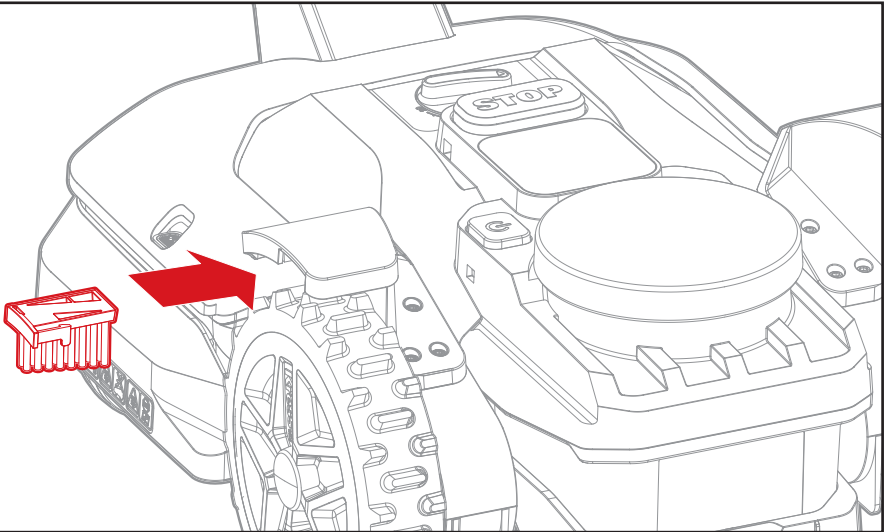


In the box



Install



Remove

