

Kress

Commercial



SAFETY AND OPERATING MANUAL

Lawn Edger
KC150 KC150.X

TABLE OF CONTENTS

Introduction.....	5
Component List.....	6
Product Safety.....	7
Assembly & Operation.....	9
Transportation.....	13
Maintenance.....	13
Cleaning.....	14
Storage.....	14
Troubleshooting.....	14
Technical Data.....	15

INTRODUCTION

Dear Customer,

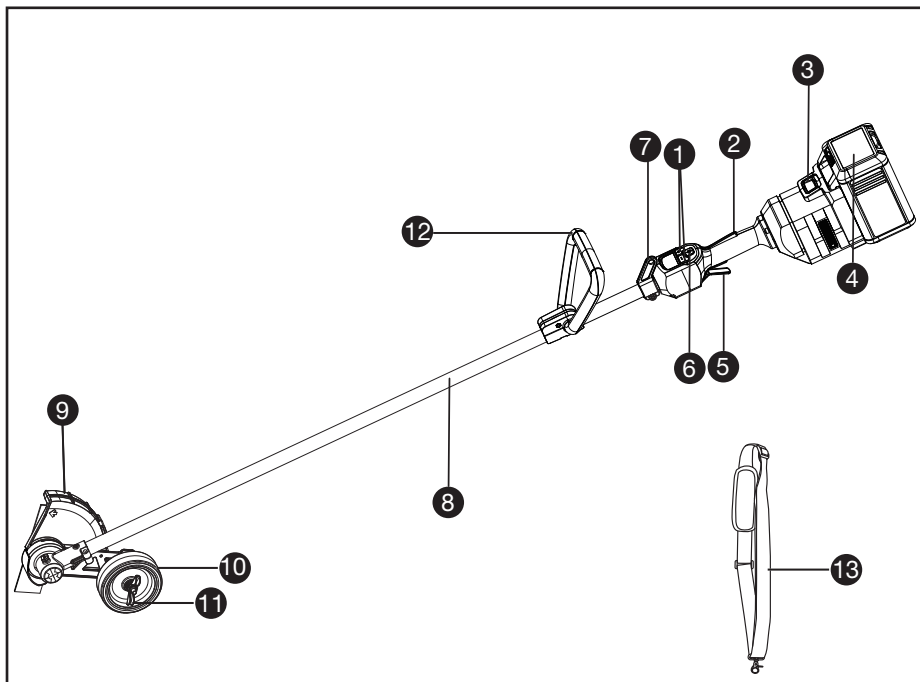
Thank you for buying this Kress Commercial product. We are dedicated to developing high quality products to meet your commercial landscaping requirements.

The Kress brand is synonymous with premium quality service. Over the years of your product's life, if you have any questions or concerns about your product, please contact your dealer or our Customer Service Team for assistance.

We are confident you will enjoy working with your Kress product for years to come.

INTENDED USE

This machine is intended for edging along sidewalks, driveways, curbs and patios.



COMPONENT LIST

- | | |
|-----|-----------------------------------|
| 1. | SPEED CONTROL |
| 2. | OPERATOR PRESENCE SWITCH |
| 3. | BATTERY PACK RELEASE |
| 4. | BATTERY PACK * |
| 5. | THROTTLE TRIGGER |
| 6. | ON / OFF SWITCH |
| 7. | SHOULDER STRAP MOUNT |
| 8. | SHAFT |
| 9. | DEBRIS GUARD |
| 10. | SUPPORT WHEEL |
| 11. | SUPPORT WHEEL ADJUSTMENT WING NUT |
| 12. | FRONT HANDLE |
| 13. | SHOULDER STRAP * |


* Not all the accessories illustrated or described are included in standard delivery.

ORIGINAL INSTRUCTIONS

PRODUCT SAFETY

GENERAL POWER TOOL

SAFETY WARNINGS

 **WARNING:** Read all safety warnings, instructions, illustrations and specifications provided with this power tool. Failure to follow all instructions listed below may result in electric shock, fire and/or serious injury. Save all warnings and instructions for future reference.

The term "power tool" in the warnings refers to your mains-operated (corded) power tool or battery-operated (cordless) power tool.

1) Work area safety

- a) **Keep work area clean and well lit.** Cluttered or dark areas invite accidents.
- b) **Do not operate power tools in explosive atmospheres, such as in the presence of flammable liquids, gases or dust.** Power tools create sparks which may ignite the dust or fumes.
- c) **Keep children and bystanders away while operating a power tool.** Distractions can cause you to lose control.

2) Electrical safety

- a) **Power tool plugs must match the outlet. Never modify the plug in any way. Do not use any adapter plugs with earthed (grounded) power tools.** Unmodified plugs and matching outlets will reduce risk of electric shock.
- b) **Avoid body contact with earthed or grounded surfaces, such as pipes, radiators, ranges and refrigerators.** There is an increased risk of electric shock if your body is earthed or grounded.
- c) **Do not operate the machine in rain or wet conditions.** This may increase the risk of electric shock. Once got wet in the rain during operation, the machine and the battery should be dried before storing or charging. Remove the battery and reinsert it if the machine fails to turn on. Keep battery connection free of dirt and debris, and clean with a soft and dry brush or cloth.
- d) **Do not abuse the cord. Never use the cord for carrying, pulling or unplugging the power tool. Keep cord away from heat, oil, sharp edges or moving parts.** Damaged or entangled cords increase the risk of electric shock.
- e) **When operating a power tool outdoors, use an extension cord suitable for outdoor use.** Use of a cord suitable for outdoor use reduces the risk of electric shock.
- f) **If operating a power tool in a damp location is unavoidable, use a residual current device (RCD) protected supply.** Use of an RCD reduces the risk of electric shock.

3) Personal safety

- a) **Stay alert, watch what you are doing and**

use common sense when operating a power tool. Do not use a power tool while you are tired or under the influence of drugs, alcohol or medication. A moment of inattention while operating power tools may result in serious personal injury.

- b) **Use personal protective equipment. Always wear eye protection.** Protective equipment such as dust mask, non-skid safety shoes, hard hat, or hearing protection used for appropriate conditions will reduce personal injuries.
 - c) **Prevent unintentional starting. Ensure the switch is in the off-position before connecting to power source and/or battery pack, picking up or carrying the tool.** Carrying power tools with your finger on the switch or energising power tools that have the switch on invites accidents.
 - d) **Remove any adjusting key or wrench before turning the power tool on.** A wrench or a key left attached to a rotating part of the power tool may result in personal injury.
 - e) **Do not overreach. Keep proper footing and balance at all times.** This enables better control of the power tool in unexpected situations.
 - f) **Dress properly. Do not wear loose clothing or jewellery. Keep your hair and clothing away from moving parts.** Loose clothes, jewellery or long hair can be caught in moving parts.
 - g) **If devices are provided for the connection of dust extraction and collection facilities, ensure these are connected and properly used.** Use of dust collection can reduce dust-related hazards.
 - h) **Do not let familiarity gained from frequent use of tools allow you to become complacent and ignore tool safety principles.** A careless action can cause severe injury within a fraction of a second.
- #### 4) Power tool use and care
- a) **Do not force the power tool. Use the correct power tool for your application.** The correct power tool will do the job better and safer at the rate for which it was designed.
 - b) **Do not use the power tool if the switch does not turn it on and off.** Any power tool that cannot be controlled with the switch is dangerous and must be repaired.
 - c) **Disconnect the plug from the power source and/or remove the battery pack, if detachable, from the power tool before making any adjustments, changing accessories, or storing power tools.** Such preventive safety measures reduce the risk of starting the power tool accidentally.
 - d) **Store idle power tools out of the reach of children and do not allow persons unfamiliar with the power tool or these instructions to operate the power tool.** Power tools are dangerous in the hands of untrained users.
 - e) **Maintain power tools and accessories. Check for misalignment or binding of moving parts, breakage of parts and any other condition that may affect the power tool's operation.**

If damaged, have the power tool repaired before use. Many accidents are caused by poorly maintained power tools.

- f) **Keep cutting tools sharp and clean.** Properly maintained cutting tools with sharp cutting edges are less likely to bind and are easier to control.
- g) **Use the power tool, accessories and tool bits etc. in accordance with these instructions, taking into account the working conditions and the work to be performed.** Use of the power tool for operations different from those intended could result in a hazardous situation.
- h) **Keep handles and grasping surfaces dry, clean and free from oil and grease.** Slippery handles and grasping surfaces do not allow for safe handling and control of the tool in unexpected situations.

5) Battery tool use and care

- a) **Recharge only with the charger specified by the manufacturer.** A charger that is suitable for one type of battery pack may create a risk of fire when used with another battery pack.
 - b) **Use power tools only with specifically designated battery packs.** Use of any other battery packs may create a risk of injury and fire.
 - c) **When battery pack is not in use, keep it away from other metal objects, like paper clips, coins, keys, nails, screws or other small metal objects, that can make a connection from one terminal to another.** Shorting the battery terminals together may cause burns or a fire.
 - d) **Under abusive conditions, liquid may be ejected from the battery; avoid contact. If contact accidentally occurs, flush with water. If liquid contacts eyes, additionally seek medical help.** Liquid ejected from the battery may cause irritation or burns.
 - e) **Do not use a battery pack or tool that is damaged or modified.** Damaged or modified batteries may exhibit unpredictable behaviour resulting in fire, explosion or risk of injury.
 - f) **Do not expose a battery pack or tool to fire or excessive temperature.** Exposure to fire or temperature above 130 °C may cause explosion.
 - g) **Follow all charging instructions and do not charge the battery pack or tool outside the temperature range specified in the instructions.** Charging improperly or at temperatures outside the specified range may damage the battery and increase the risk of fire.
- #### 6) Service
- a) **Have your power tool serviced by a qualified repair person using only identical replacement parts.** This will ensure that the safety of the power tool is maintained.
 - b) **Never service damaged battery packs.** Service of battery packs should only be performed by the manufacturer or authorized service providers.

Safety instructions for edgers

1. Training

- a) Read the instructions carefully. Be familiar with the controls and the proper use of the equipment.
- b) Never allow children or people unfamiliar with these instructions to use the edger. Local regulations may restrict the age of the operator.
- c) Never edge while people, especially children, or pets are nearby.
- d) Keep in mind that the operator or user is responsible for accidents or hazards occurring to other people or their property.

2. Preparation

- a) While edging, always wear eye and ear protection, substantial foot wear, and long trousers.
- b) Thoroughly inspect the surface where the equipment is to be used and remove all stones, sticks, wires, bones and other foreign objects.
- c) Before using, always visually inspect to see that the blades, blade bolts and cutter assembly are not worn or damaged. Replace worn or damaged blades and bolts in sets to preserve balance.
- d) Use only manufacturer-recommended replacement parts and accessories.

3. Operation

- a) Edge only in daylight or in good artificial light.
- b) Always be sure of your footing on slopes.
- c) Walk, never run.
- d) Use extreme caution when reversing or pulling the edger toward you.
- e) Make sure the blade has stopped before crossing surfaces other than grass and when transporting the edger to and from the area to be edged.
- f) Never operate the edger with defective, missing or incorrectly fitted guards.
- g) Switch on the motor carefully according to instructions and with feet well away from the blade(s).
- h) Do not tilt when switching on the motor, unless the edger has to be tilted for starting. In this case, do not tilt it more than absolutely necessary and lift only the part which is away from the operator.
- i) Do not switch on the motor when a bystander is standing in front of the blade(s).
- j) Do not put hands or feet near or under rotating parts.
- k) Always switch off the electric motor and remove battery pack from the machine:
 - 1) before clearing blockages;
 - 2) before checking, cleaning or working on the blade(s);
 - 3) after striking a foreign object: inspect the blade(s) for damage and make repairs before restarting and operating the edger;
 - 4) if edger starts to vibrate abnormally (check immediately).

- l) Always remove battery pack from the machine whenever you leave the edger.
- m) Always ensure that the ventilation openings are kept clear of debris.

4. Maintenance and storage

- a) Keep all nuts, bolts and screws tight to be sure the equipment is in safe working conditions.
- b) Replace worn or damaged parts.
- c) Do not attempt to repair the machine unless you are competent to do so.
- d) Use only manufacturer-recommended replacement parts and accessories.
- e) When not in use, store the edger out of the reach of children.
- f) Inspect and maintain the edger regularly. Have the edger repaired only by an authorized repairer.

SAFETY WARNINGS FOR BATTERY PACK

- a) **Do not dismantle, open or shred cells or battery pack.**
- b) **Do not short-circuit a battery pack. Do not store battery packs haphazardly in a box or drawer where they may short-circuit each other or be short-circuited by conductive materials. When battery pack is not in use, keep it away from other metal objects, like paper clips, coins, keys, nails, screws or other small metal objects, that can make a connection from one terminal to another. Shorting the battery terminals together may cause burns or a fire.**
- c) **Do not expose battery pack to heat or fire. Avoid storage in direct sunlight.**
- d) **Do not subject battery pack to mechanical shock.**
- e) **In the event of battery leaking, do not allow the liquid to come into contact with the skin or eyes. If contact has been made, wash the affected area with copious amounts of water and seek medical advice.**
- f) **Keep battery pack clean and dry.**
- g) **Wipe the battery pack terminals with a clean dry cloth if they become dirty.**
- h) **Battery pack needs to be charged before use. Always refer to this instruction and use the correct charging procedure.**
- i) **Do not maintain battery pack on charge when not in use.**
- j) **After extended periods of storage, it may be necessary to charge and discharge the battery pack several times to obtain maximum performance.**
- k) **Recharge only with the charger specified by Kress. Do not use any charger other than that specifically provided for use with the equipment.**
- l) **Do not use any battery pack which is not designed for use with the equipment.**
- m) **Keep battery pack out of the reach of children.**

- n) **Retain the original product literature for future reference.**
- o) **Remove the battery from the equipment when not in use.**
- p) **Dispose of properly.**
- q) **Do not mix cells of different manufacture, capacity, size or type within a device.**
- r) **Keep the battery away from microwaves and high pressure.**
- s) **Warning! Do not use non-rechargeable batteries.**

SAVE THESE INSTRUCTIONS













USER MANUAL REQUIREMENTS FOR WIRELESS PRODUCT



- a) Operation of this device is subject to the following two conditions:
 - (1) This device may not cause harmful interference, and
 - (2) this device must accept any interference received, including interference that may cause undesired operation.
- b) Caution: Changes or modifications to this unit not expressly approved by the party responsible for compliance could void the user's authority to operate the equipment.
- c) NOTE: This equipment generates, uses and can radiate radio frequency energy and, if not installed and used in accordance with the instructions, may cause harmful interference to radio communications. However, there is no guarantee that interference will not occur in a particular installation. If this equipment does cause harmful interference to radio or television reception, which can be determined by turning the equipment off and on, the user is encouraged to try to correct the interference by one or more of the following measures:
 - Reorient or relocate the receiving antenna.
 - Increase the separation between the equipment and receiver.
 - Connect the equipment into an outlet on a circuit different from that to which the receiver is connected.
 - Consult the dealer or an experienced radio/TV technician for help.

SYMBOLS



To reduce the risk of injury, user must read instruction manual

	Direction of edger blade rotation
	Keep bystanders at a safe distance
	Thrown objects
	Wear ear and eye protection
	Rotating cutting blade
	Li-Ion battery This product has been marked with a symbol relating to 'separate collection' for all battery packs and battery pack. It will then be recycled or dismantled in order to reduce the impact on the environment. Battery packs can be hazardous for the environment and for human health since they contain hazardous substances.
	Do not burn
	Batteries may enter water cycle if disposed improperly, which can be hazardous for ecosystem. Do not dispose of waste batteries as unsorted municipal waste.
	Remove battery from the socket before carrying out any adjustment, servicing or maintenance.
	Plus; positive polarity
	Minus; negative polarity
	Use with model KAC840 battery charger, See instruction manual for additional battery chargers.

	Wear protective gloves
	RCM marking

ABN: Australian Business Number. By this number, business information such as entity type, status, business location etc. can be found at website <http://abr.business.gov.au>.
 ABN of Positech Australia Pty Limited is 14 101 682 357

ASSEMBLY & OPERATION

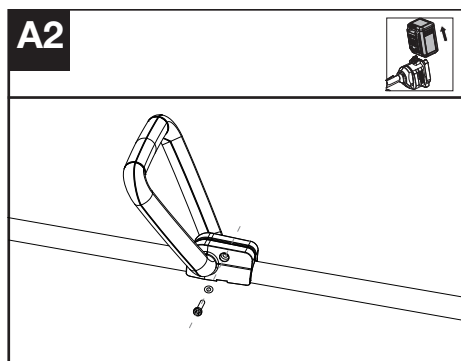
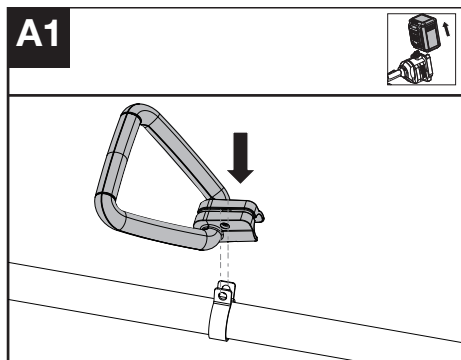


NOTE: Before using the tool, read the instruction book carefully.



BEFORE OPERATION:

Assembling the Front Handle (See Fig. A1, A2)



1. Remove the tape.
2. Attach the Front Handle and lower clamp on the

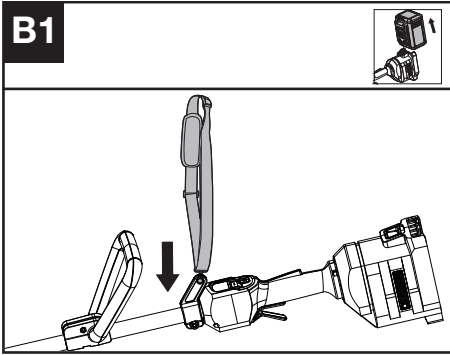
shaft.

- Put the bolt through the holes.
- Tighten the Front Handle.

WARNING: Adjust the Front Handle as desired so as to make sure your front arm is straight when using the edger.

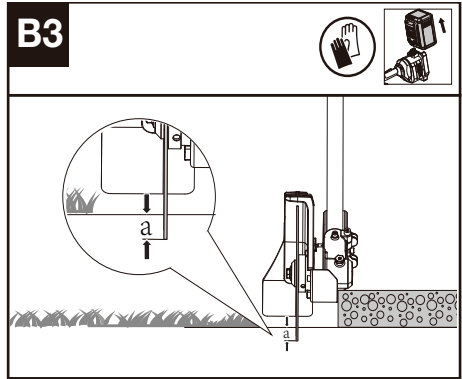
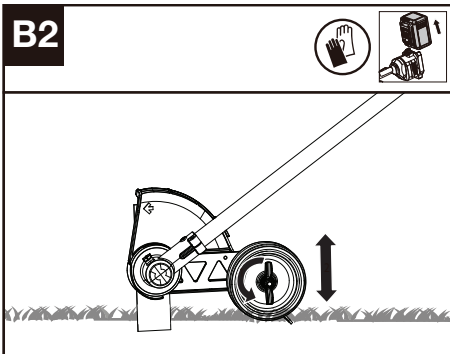
Fitting the shoulder strap (Sold Separately) (See Fig. B1)

- Adjust the length of shoulder strap to make sure that the carabiner is about a hand's width below the top of your hip.
- Connect the carabiner of shoulder strap to the Shoulder Strap Mount on the shaft of the edger.

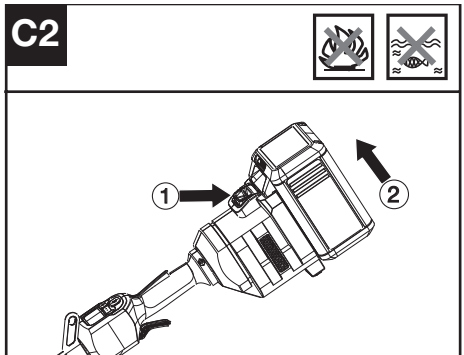
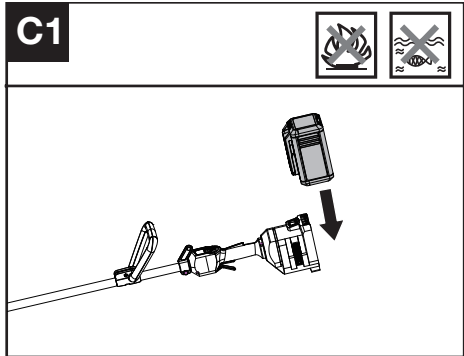


Adjust the cutting height (See Fig. B2, B3)

- Turn off the power tool and remove the battery.
- Loosen the wing nut. Push the wheel upwards to increase the cut depth (a) or downward the wheel to reduce the cut depth (a).
- It is recommended to adjust the depth wheel so that the edger blade just touching the ground or breaks the surface of the soil by no more than 0.2 in. (5 mm)
- Tighten the wing nut. Check the depth of cut while standing in the normal working position and correct it if necessary.



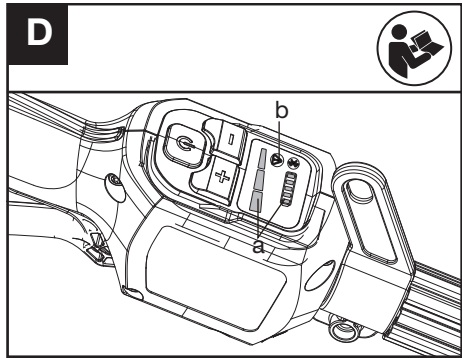
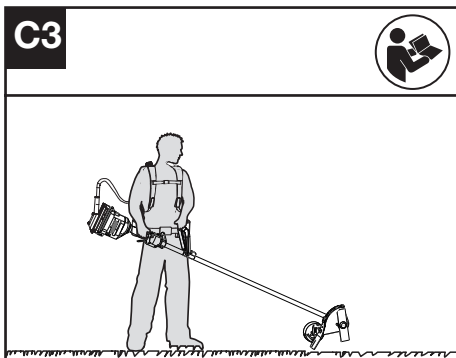
Installing & removing the battery pack (See Fig. C1, C2)



- Slide the battery pack into the battery compartment until you hear a click.
- Press the battery release button to release battery pack from your tool.

Connecting with the backpack harness (See Fig. C3)

The edger can be connected with an accessory backpack harness (not supplied). Refer to the backpack harness manual for more information.



Testing the edger and battery (See Fig. D)

Checking the controls

Operator Presence Switch and Throttle Trigger

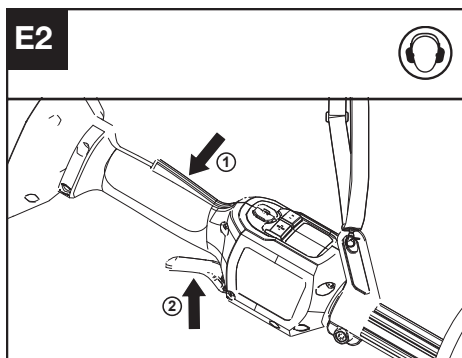
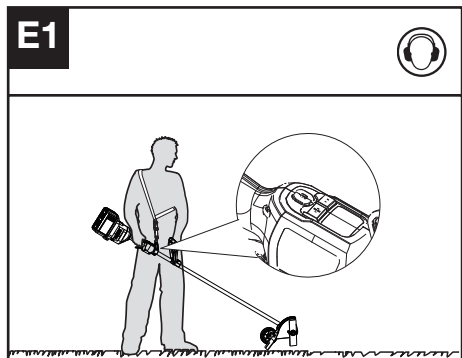
1. Remove the battery.
2. Try to press the Throttle Trigger. If the Throttle Trigger can be pressed, the Operator Presence Switch is defective. Stop using the edger and contact the service agent.
4. Hold and press the Operator Presence Switch first, then press the Throttle Trigger.
5. Release the Throttle Trigger and the Operator Presence Switch. If the Throttle Trigger or the Operator Presence Switch is stuck and cannot spring back to its original position. Stop using the edger and contact the service agent.

Checking the display

1. Insert the battery.
2. Hold and press the On / Off Switch.
The product is switched on when the LED (a) is lit.
The product is switched off when the LED (a) is out.
3. Press the Operator Presence Switch first, then press the Throttle Trigger to start the machine. The Edger Head rotates.
4. If the warning indicator (b) lights up or is flashing, refer to **Troubleshooting** for solutions.
5. Release the Throttle Trigger. The Edger Head stops rotating after a short delay. If the Edger Head continues to rotate, remove the battery and contact the service agent.

OPERATION:

Starting the edger (See Fig. E1, E2)



1. Hold the edger firmly with your right hand on the control handle – wrap your thumb around the handle. Hold the edger with your left hand on the auxiliary handle– wrap your thumb around the handle.
2. Hold and press the On / Off Switch until the green LED is lit. The green LED shows the power level.
3. If the Edger is left unattended, or the operator presence switch is not depressed, for 5 seconds,

the green LED for start/stop indication goes out and the edger will need to be re-started before use.

NOTE: The Operator Presence Switch is designed to prevent accidental operation. When you press the Operator Presence Switch it releases the Throttle Trigger.

Selecting the speed

Depending on the application, 3 Power Levels can be selected depending on the application. Use the +/- to control the speed, which is as indicated by the LEDs. The higher the power level, the faster the tool runs.

Stopping the edger

Release the Throttle Trigger to stop the machine.

WARNING! The cutting head continues to rotate after the edger has been switched off; wait until it has completely stopped then lay down the tool.

For Battery tools

The recommended ambient temperature range for discharging is $-20^{\circ}\text{C}\sim 45^{\circ}\text{C}$ ($-4^{\circ}\text{F}\sim 113^{\circ}\text{F}$).

The recommended ambient temperature range for the charging system during charging is $-5^{\circ}\text{C}\sim 45^{\circ}\text{C}$ ($23^{\circ}\text{F}\sim 113^{\circ}\text{F}$).

TRANSPORTATION

Transporting the edger

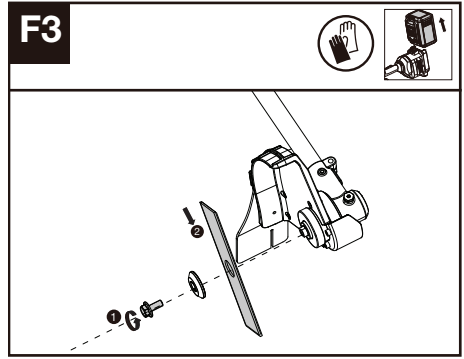
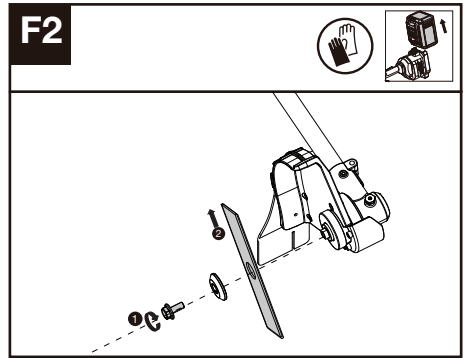
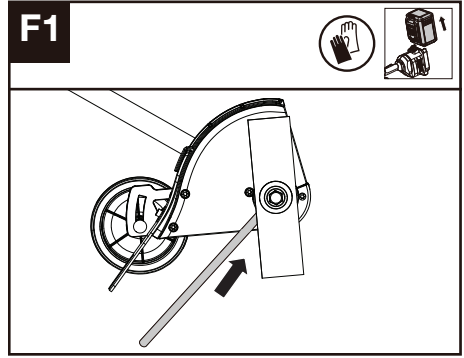
1. Switch off the edger and remove the battery.
2. When transporting your edger by hand, hold the middle of shaft to make sure that your machine is parallel to the ground.
3. When transporting your edger in a vehicle, secure and position it to prevent movement or damage.

Transporting the battery

1. Ensure the battery is in a safe condition.
2. Use non-conductive packaging when transporting the battery.
3. The contained Li-Ion batteries are subject to the dangerous goods legislation requirements. Transport batteries only when the battery housing is undamaged. Pack up the batteries in such a manner that cannot move around in the packaging.

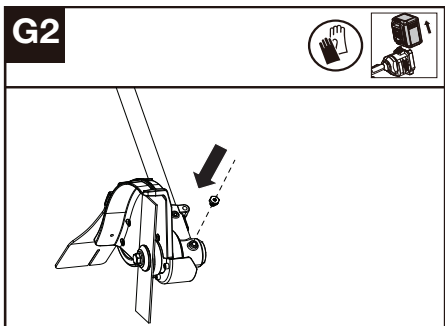
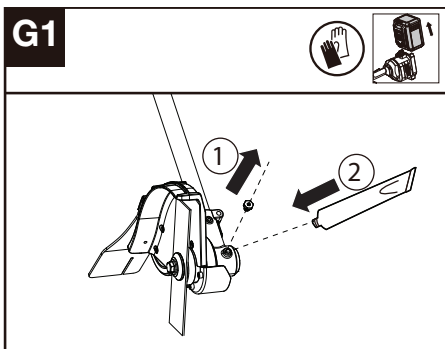
MAINTENANCE

Replacing the blade (See Fig. F1,F2,F3)



1. Align hole in inner blade adapter with notch in gear housing, and insert locking tool to prevent from rotating.
2. Loosen the bolt.
3. Replace the blade and tighten the bolt to 15~20 Nm (11~15 ft-lb).

Lubricating the Gear Box (See Fig. G1, G2)



1. Remove the screw plug from the gear housing and inject about 5g of grease into gear case every time.
2. Tighten the screw.

NOTE: Lubricating the gear case through the oil-hole after every 50 hours operation. For best operation and longer lifetime, it is recommended to lubricate the Lawn Edger gear case with dedicated grease(SHELL Gadus S2 V220 1).

CLEANING

1. Switch off the edger and remove the battery.
2. Do not use aggressive detergents or solvents. Clean the machine after use with a damp cloth dipped in mild detergent.
3. Keep battery connection free of dirt and debris, and clean with a soft and dry brush or cloth.
4. Do not spray water onto the motor and electrical components.
5. Do not use pressure washer to clean your machine.

STORAGE

1. Remove the battery pack from the edger before storage.
2. Store the edger and the battery in a dry and secure place that is inaccessible to children and

other unauthorized people.

Remove the cutting attachment if no use for a long time.

3. Store the battery only within a temperature range between 5°C (41°F) and 25°C (77°F). As an example, do not leave the battery in the car in summer time.
4. Once got wet in the rain during operation, the machine and the battery should be dried before storing or charging. Remove the battery and reinsert it if the machine fails to turn on.

TROUBLESHOOTING

The following table gives problems and actions that you can perform if your machine does not operate correctly.

WARNING: Switch the machine off and remove the battery prior to any troubleshooting.

EDGER

Problems	Possible Causes	Corrective Action
Battery indicator LED flashing	Low battery voltage.	Charge the battery.
Red error LED flashing	Overload.	The cutting attachment is jammed. Deactivate the product. Remove the battery. Clean the cutting attachment from unwanted materials.
	Temperature issue.	Let the product cool down.
	The Throttle Trigger and the start/stop button are pressed at the same time.	Release Throttle Trigger. Perform the starting sequence again.
	Other problems	Contact Service Agent


The product does not start	Debris in the battery connectors.	Clean the battery connectors with compressed air or a soft brush.
	The power of the battery pack has been run out.	Charge the battery pack.
	Other problems	Contact Service Agent.
Edger runs intermittently	The battery is not fully inserted to the machine.	Remove & reinsert battery fully.
	Potential electrical issue.	Contact Service Agent.
Excessive vibrations/ noise.	Blade balance issue.	Evaluate blade for damage, replace blade.
	Soil/debris build-up in blade guard.	Clean blade guard, remove debris.
	Cutting attachment issue. Machine defective.	Replace cutting attachment. Contact Service Agent.

BATTERY

Problems	Possible Causes	Corrective Action
Error LED lit	The battery is discharged	Charge the battery or check the charger for proper operation. If battery fails to charge, contact your Service Agent.
	Temperature issue.	Use the battery in surroundings where temperatures are between -5°C and 45°C (23°F to 113°F) for charge; -20°C to 45°C (-4°F to 113°F) for discharge.
	Others	Contact your Service Agent.

TECHNICAL DATA

Type Designation: **KC150 KC150.X**
(150-designation of machinery, representative of Lawn Edger)

	KC150 KC150.X **
Voltage	60 V  MAX ***
Cutting Speed	3000 / 3600 / 4200 rpm
Blade Size	20 cm (8")
Degree of protection	IPX4
Machine Weight (Bare tool)	5.3 kg (11.7 lbs)

** X=1-999,A-Z,M1-M9 they are only used for different customers, there are no safety relevant changes between these models.

*** Voltage measured without workload. Initial battery voltage reaches maximum of 60 volts. Nominal voltage is 54 volts.

SUGGESTED BATTERIES AND CHARGERS

Battery	Capacity	Charger	Amperage
KAC804	4.0 Ah	KAC840	30 A
KAC810 (With Backpack Harness)	11.0 Ah		

We recommend that you purchase your accessories from the same Dealer that sold you the tool. Refer to the accessory packaging for further details. Your Dealer can assist you and offer advice.

TECHNICAL DATA FOR BATTERY PACK (OPTIONAL)

Frequency bands for Bluetooth	2400-2483.5 MHz
Maximum Transmitted Power for Bluetooth	8 dBm

Positec Australia Pty Limited
10 Corporate Blvd Bayswater , VIC 3153, Australia



Copyright © 2023, Positec. All Rights Reserved.
AR01719400