

From your toolbox

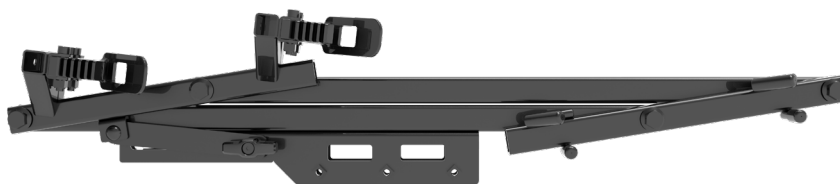


23 N·m
17 lb·ft



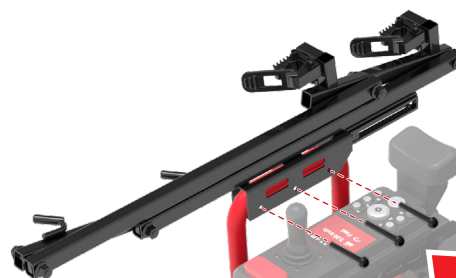
T45

In the box

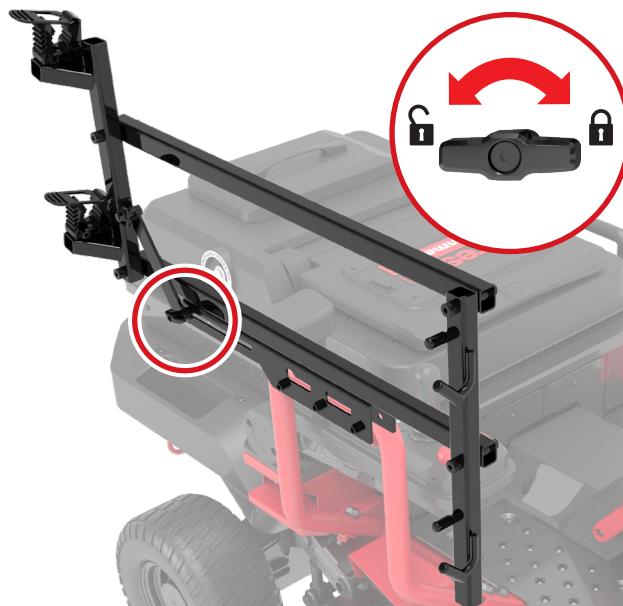
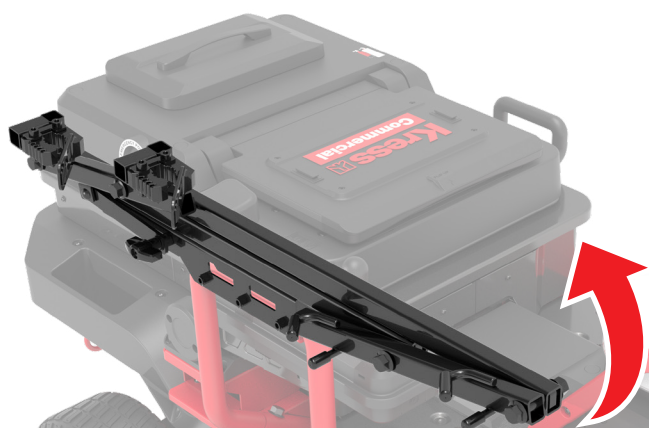


The picture is only for reference

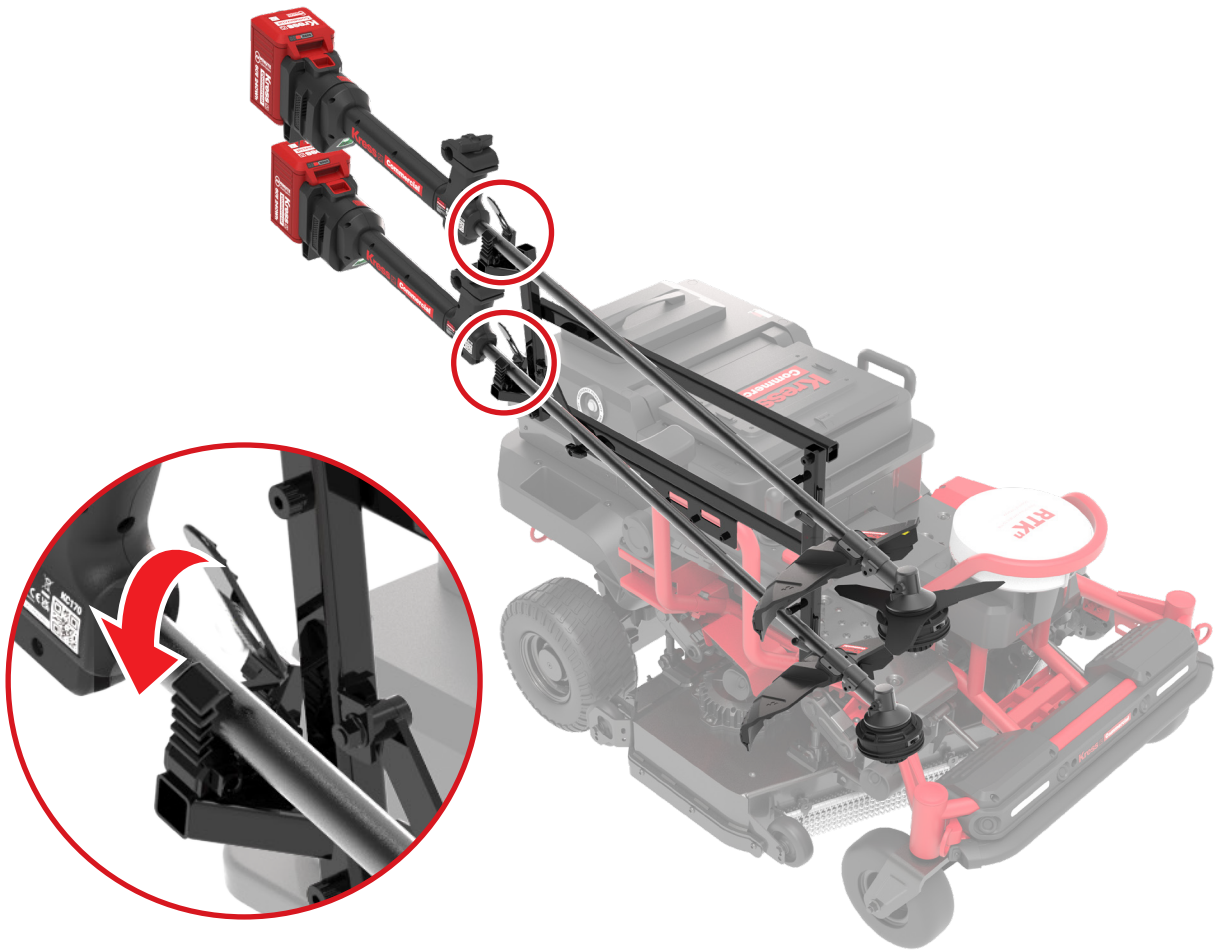
1



2



3



4

