

# Kress

# Commercial



## SAFETY AND OPERATING MANUAL

60V Commercial Handheld Blower

KC510 KC510.X

# TABLE OF CONTENTS

Introduction.....	2
Component List.....	3
Product Safety.....	4
Assembly & Operation.....	7
Cleaning .....	8
Storage .....	8
Troubleshooting.....	10
Technical Data.....	11

## INTRODUCTION

Dear Customer,

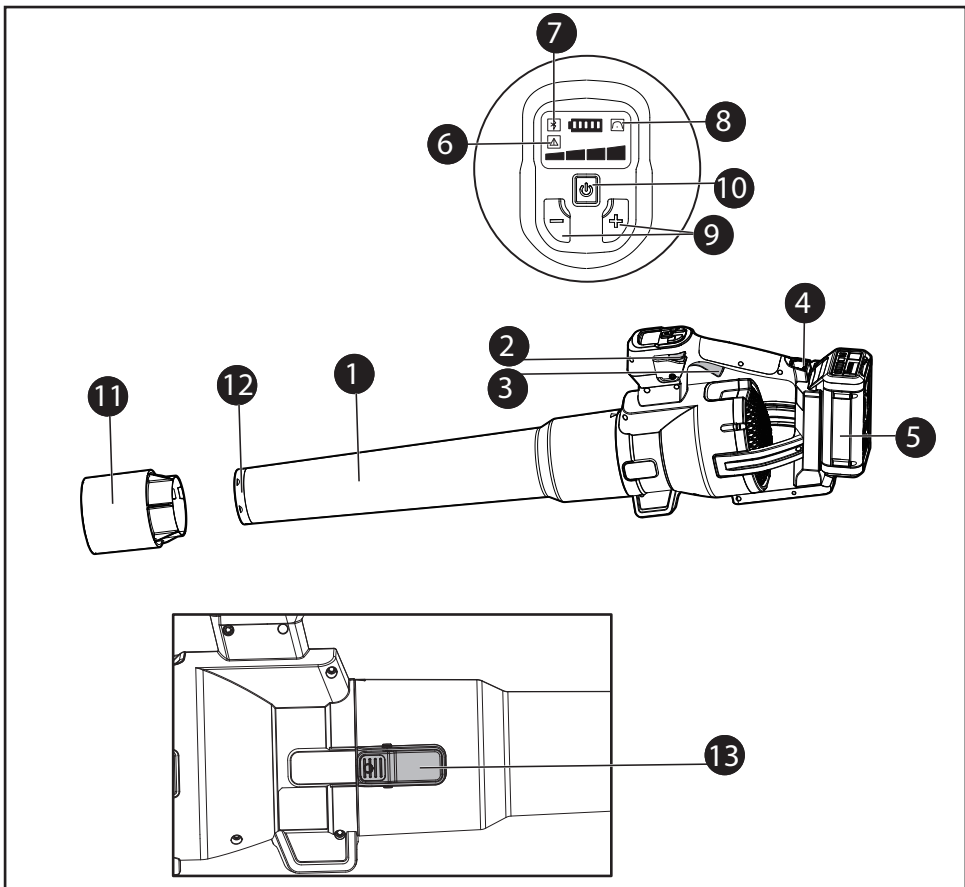
Thank you for buying this Kress Commercial product. We are dedicated to developing high quality products to meet your commercial landscaping requirements.

The Kress brand is synonymous with premium quality service. Over the years of your product's life, if you have any questions or concerns about your product, please contact your dealer or our Customer Service Team for assistance.

We are confident you will enjoy working with your Kress product for years to come.

## INTENDED USE

This machine is intended for blowing leaves, grass, paper products and other similar materials.



## COMPONENT LIST

- |     |                               |
|-----|-------------------------------|
| 1.  | <b>BLOWER TUBE</b>            |
| 2.  | <b>CRUISE CONTROL BUTTON</b>  |
| 3.  | <b>POWER TRIGGER</b>          |
| 4.  | <b>BATTERY RELEASE BUTTON</b> |
| 5.  | <b>BATTERY *</b>              |
| 6.  | <b>WARNING SYMBOL</b>         |
| 7.  | <b>BLUETOOTH SYMBOL</b>       |
| 8.  | <b>CRUISE CONTROL SYMBOL</b>  |
| 9.  | <b>SPEED CONTROL</b>          |
| 10. | <b>ON/OFF BUTTON</b>          |
| 11. | <b>SPREAD NOZZLE</b>          |
| 12. | <b>METAL SCRAPER TIP</b>      |
| 13. | <b>TUBE RELEASE BUTTON</b>    |

\* Not all the accessories illustrated or described are included in standard delivery.

# PRODUCT SAFETY

## Users can view the electronic instructions at <https://www.kress.com/>.

## GENERAL POWER TOOL SAFETY WARNINGS

 **WARNING!** Read all safety warnings and all instructions. Failure to follow the warnings and instructions may result in electric shock, fire and/or serious injury.

Save all warnings and instructions for future reference.

The term "power tool" in the warnings refers to your mains-operated (corded) power tool or battery-operated (cordless) power tool.

### 1. Work area safety

- a) **Keep work area clean and well lit.** Cluttered or dark areas invite accidents.
- b) **Do not operate power tools in explosive atmospheres, such as in the presence of flammable liquids, gases or dust.** Power tools create sparks which may ignite the dust or fumes.
- c) **Keep children and bystanders away while operating a power tool.** Distractions can cause you to lose control.

### 2. Electrical safety

- a) **Power tool plugs must match the outlet. Never modify the plug in any way. Do not use any adapter plugs with earthed (grounded) power tools.** Unmodified plugs and matching outlets will reduce risk of electric shock.
- b) **Avoid body contact with earthed or grounded surfaces, such as pipes, radiators, ranges and refrigerators.** There is an increased risk of electric shock if your body is earthed or grounded.
- c) **Do not expose power tools to rain or wet conditions.** Water entering a power tool will increase the risk of electric shock.  
**Do not operate the machine in rain or wet conditions.** Water entering the machine may increase the risk of electric shock or malfunction that could result in personal injury. If the machine gets wet in the rain during operation, the machine and the battery should be dried before storing or charging. Remove the battery and reinsert it if the machine fails to turn on. Keep battery connection free of dirt and debris, and clean with a soft and dry brush or cloth.
- d) **Do not abuse the cord. Never use the cord for carrying, pulling or unplugging the power tool. Keep cord away from heat, oil, sharp edges or moving parts.** Damaged or entangled

*cords increase the risk of electric shock.*

- e) **When operating a power tool outdoors, use an extension cord suitable for outdoor use.** Use of a cord suitable for outdoor use reduces the risk of electric shock.
  - f) **If operating a power tool in a damp location is unavoidable, use a residual current device (RCD) protected supply.** Use of an RCD reduces the risk of electric shock.
- ### 3. Personal safety
- a) **Stay alert, watch what you are doing and use common sense when operating a power tool. Do not use a power tool while you are tired or under the influence of drugs, alcohol or medication.** A moment of inattention while operating power tools may result in serious personal injury.
  - b) **Use personal protective equipment. Always wear eye protection.** Protective equipment such as dust mask, non-skid safety shoes, hard hat, or hearing protection used for appropriate conditions will reduce personal injuries.
  - c) **Prevent unintentional starting. Ensure the switch is in the off-position before connecting to power source and/or battery pack, picking up or carrying the tool.** Carrying power tools with your finger on the switch or energising power tools that have the switch on invites accidents.
  - d) **Remove any adjusting key or wrench before turning the power tool on.** A wrench or a key left attached to a rotating part of the power tool may result in personal injury.
  - e) **Do not overreach. Keep proper footing and balance at all times.** This enables better control of the power tool in unexpected situations.
  - f) **Dress properly. Do not wear loose clothing or jewellery. Keep your hair, clothing and gloves away from moving parts.** Loose clothes, jewellery or long hair can be caught in moving parts.
  - g) **If devices are provided for the connection of dust extraction and collection facilities, ensure these are connected and properly used.** Use of dust collection can reduce dust-related hazards.
- ### 4. Power tool use and care
- a) **Do not force the power tool. Use the correct power tool for your application.** The correct power tool will do the job better and safer at the rate for which it was designed.
  - b) **Do not use the power tool if the switch does not turn it on and off.** Any power tool that cannot be controlled with the switch is dangerous and must be repaired.
  - c) **Disconnect the plug from the power source and/or the battery pack from the power tool before making any adjustments, changing accessories, or storing power tools.** Such preventive safety measures reduce the risk of starting the power tool accidentally.
  - d) **Store idle power tools out of the reach of children and do not allow persons unfamiliar**

with the power tool or these instructions to operate the power tool. *Power tools are dangerous in the hands of untrained users.*

- e) **Maintain power tools. Check for misalignment or binding of moving parts, breakage of parts and any other condition that may affect the power tool's operation. If damaged, have the power tool repaired before use. Many accidents are caused by poorly maintained power tools.**
- f) **Keep cutting tools sharp and clean. Properly maintained cutting tools with sharp cutting edges are less likely to bind and are easier to control.**
- g) **Use the power tool, accessories and tool bits etc. in accordance with these instructions, taking into account the working conditions and the work to be performed. Use of the power tool for operations different from those intended could result in a hazardous situation.**


#### 5) Battery tool use and care

- a) **Recharge only with the charger specified by the manufacturer. A charger that is suitable for one type of battery pack may create a risk of fire when used with another battery pack.**
- b) **Use power tools only with specifically designed battery packs. Use of any other battery packs may create a risk of injury and fire.**
- c) **When battery pack is not in use, keep it away from other metal objects, like paper clips, coins, keys, nails, screws or other small metal objects, that can make a connection from one terminal to another. Shorting the battery terminals together may cause burns or a fire.**
- d) **Under abusive conditions, liquid may be ejected from the battery; avoid contact. If contact accidentally occurs, flush with water. If liquid contacts eyes, additionally seek medical help. Liquid ejected from the battery may cause irritation or burns.**

#### 6. Service

- a) **Have your power tool serviced by a qualified repair person using only identical replacement parts. This will ensure that the safety of the power tool is maintained.**

## ADDITIONAL SAFETY WARNINGS FOR CORDLESS BLOWER

 **WARNING** Read all safety warnings and all instructions. Failure to follow the warnings and instructions may result in electric shock, fire and/or serious injury. Save all warnings and instructions for future reference.

- This appliance is not intended for use by persons (including children) with reduced physical, sensory or mental capabilities, or lack

of experience and knowledge, unless they have been given supervision or instruction concerning use of the appliance by a person responsible for their safety.

- Children should be supervised to ensure that they do not play with the appliance.


**Do not expose the appliance or battery to excessive temperatures.**

1. Rechargeable batteries are to be removed from the appliance before being charge.
2. Different types of batteries or new and used batteries are not to be mixed;
3. Exhausted batteries are to be removed from the appliance and safely disposed of;
4. If the appliance is to be stored unused for a long period, the batteries should be removed;
5. Do not use non-rechargeable batteries in place of rechargeable batteries;
6. Do not use modified or damaged batteries.
7. **WARNING:** use only with KAC840 battery charger or additional battery chargers listed in operator's manual.

The device is designed only for the blowing of dry leaves in private households and as a hobby device in the garden. Any other utilization, which is not explicitly approved in these directions, can lead to damage to the device and represent a serious danger to the user.

- The device is designed for use by adults. Young people over 16 years may use the device under supervision only.
- The use of the device in the rain or in a humid environment is forbidden.
- The manufacturer is not liable for damage which is caused through inappropriate use or incorrect operation.

NOTE: Do not employ and low power machines for heavy work. DO NOT use your device for purposes for which it has not been designed.

 **WARNING!** To reduce the risk of injury, user must read and understand instruction manual.

- 1) Training
  - a) Read the instructions carefully. Be familiar with the controls and the proper use of the appliance;
  - b) Never allow children to use the appliance.
  - c) Never allow people unfamiliar with these instructions to use the appliance. Local regulations may restrict the age of the operator;
  - d) Never operate the appliance while people, especially children, or pets are nearby;
  - e) The operator or user is responsible for accidents or hazards occurring to other people or their property.
- 2) Preparation
  - a) While operating the appliance, always wear substantial footwear and long trousers. Do not

operate the equipment when barefoot or wearing open sandals;

- b) Do not wear loose clothing or jewellery that can be drawn into the air inlet. Keep long hair away from the air inlets.
  - c) Wear protective goggles while operating.
  - d) To prevent dust irritation the wearing of a face mask is recommended.
  - e) Never operate the appliance with defective guards or shields, or without safety devices.
- 3) Operation
- a) Take off the battery from the appliance,
    - when not in use;
    - before clearing a blockage;
    - before checking, cleaning or working on the appliance;
    - if the appliance starts to vibrate abnormally.
  - b) Operate the appliance only in daylight or in good artificial light.
  - c) Do not overreach and keep your balance at all times.
  - d) Always be sure of your footing on slopes.
  - e) Walk, never run;
  - f) Keep all cooling air inlets clear of debris.
  - g) Never blow debris in the direction of bystanders.
  - h) Do not put hands or feet near or under rotating parts.
- 
- EN
- 4) Maintenance and storage
  - a) Keep all nuts, bolts and screws tight to be sure the appliance is in safe working condition;
  - b) Replace worn or damaged parts.
  - c) Use only genuine replacement parts and accessories.
  - d) Store the appliance only in a dry place.

## SAFETY WARNINGS FOR BATTERY PACK

- a) **Do not dismantle, open or shred cells or battery pack.**
- b) **Do not short-circuit a battery pack. Do not store battery packs haphazardly in a box or drawer where they may short-circuit each other or be short-circuited by conductive materials. When battery pack is not in use, keep it away from other metal objects, like paper clips, coins, keys, nails, screws or other small metal objects, that can make a connection from one terminal to another. Shorting the battery terminals together may cause burns or a fire.**
- c) **Do not expose battery pack to heat or fire. Avoid storage in direct sunlight.**
- d) **Do not subject battery pack to mechanical shock.**
- e) **In the event of battery leaking, do not allow the liquid to come into contact with the skin or eyes. If contact has been made, wash the affected area with copious amounts of water and seek medical advice.**

- f) **Keep battery pack clean and dry.**
- g) **Wipe the battery pack terminals with a clean dry cloth if they become dirty.**
- h) **Battery pack needs to be charged before use. Always refer to this instruction and use the correct charging procedure.**
- i) **Do not maintain battery pack on charge when not in use.**
- j) **After extended periods of storage, it may be necessary to charge and discharge the battery pack several times to obtain maximum performance.**
- k) **Recharge only with the charger specified by Kress. Do not use any charger other than that specifically provided for use with the equipment.**
- l) **Do not use any battery pack which is not designed for use with the equipment.**
- m) **Keep battery pack out of the reach of children.**
- n) **Retain the original product literature for future reference.**
- o) **Remove the battery from the equipment when not in use.**
- p) **Dispose of properly.**
- q) **Do not use battery packs of different manufacture, size or type.**
- r) **Keep the battery away from microwaves and high pressure.**
- s) **Warning! Do not use non-rechargeable batteries.**

## USER MANUAL REQUIREMENTS FOR WIRELESS PRODUCT

- a) Operation of this device is subject to the following two conditions:
  - (1) This device may not cause harmful interference, and
  - (2) this device must accept any interference received, including interference that may cause undesired operation.
- b) Caution: Changes or modifications to this unit not expressly approved by the party responsible for compliance could void the user's authority to operate the equipment.
- c) NOTE: This equipment generates, uses and can radiate radio frequency energy and, if not installed and used in accordance with the instructions, may cause harmful interference to radio communications. However, there is no guarantee that interference will not occur in a particular installation. If this equipment does cause harmful interference to radio or television reception, which can be determined by turning the equipment off and on, the user is encouraged to try to correct the interference by one or more of the following measures:
  - Reorient or relocate the receiving antenna.
  - Increase the separation between the equipment and receiver.
  - Connect the equipment into an outlet on a

circuit different from that to which the receiver is connected.

- Consult the dealer or an experienced radio/TV technician for help.

## SYMBOLS

	Read the operator's manual
	WARNING
	Wear ear protection
	Wear eye protection
	Plus; positive polarity
	Minus; negative polarity
	Use with model KAC840 battery charger. See instruction manual for additional battery chargers.
	Keep bystanders away
	Warning of hazard
	Remove battery from the socket before carrying out any adjustment, servicing or maintenance.

	Batteries may enter water cycle if disposed improperly, which can be hazardous for ecosystem. Do not dispose of waste batteries as unsorted municipal waste.
	Do not burn
	Li-Ion battery. This product has been marked with a symbol relating to 'separate collection' for all battery packs and battery pack. It will then be recycled or dismantled in order to reduce the impact on the environment. Battery packs can be hazardous for the environment and for human health since they contain hazardous substances.
	RCM marking

**ABN:** Australian Business Number. By this number, business information such as entity type, status, business location etc. can be found at website <http://abr.business.gov.au>.

ABN of Positec Australia Pty Limited is 14 101 682 357

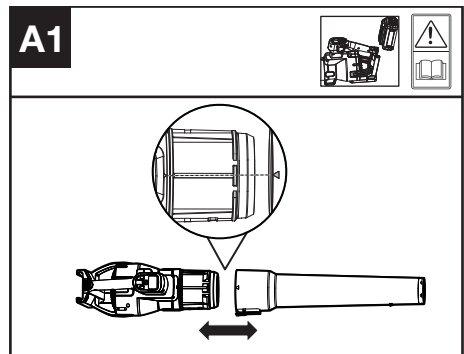
EN

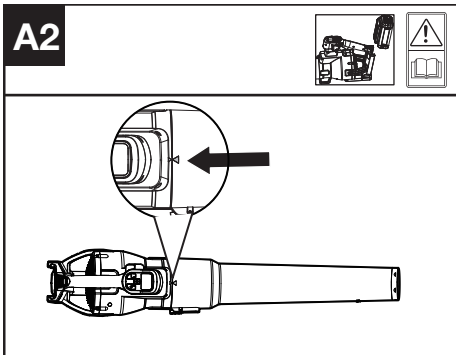
## ASSEMBLY & OPERATION

**NOTE:** Before using the tool, read the instruction book carefully.

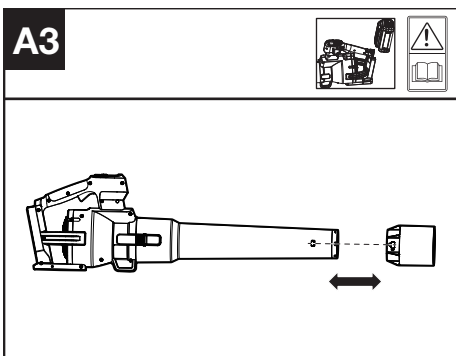
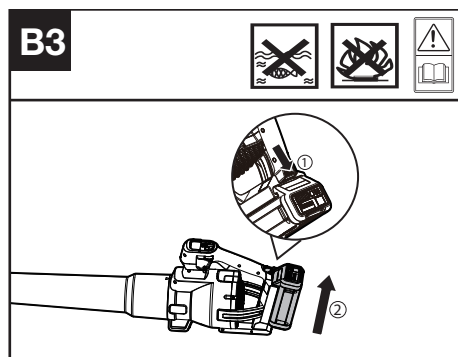
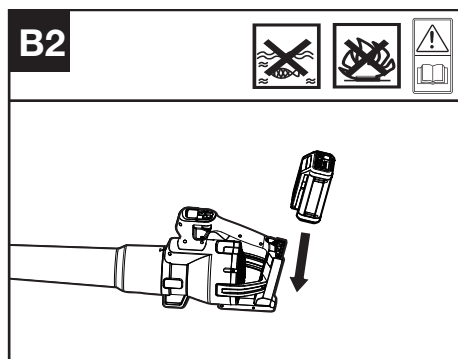
### BEFORE OPERATION:

**Assemble the blower tube and the spread nozzle (See Fig.A1,A2,A3)**





**Install /Remove the battery (See Fig. B2, B3)**

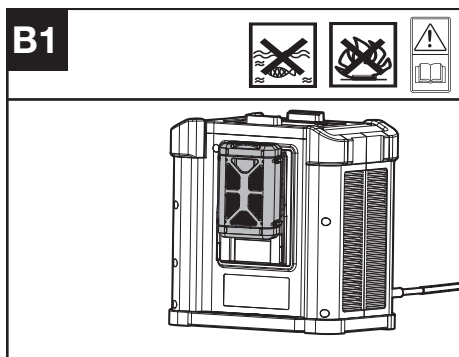


1. Align the " Δ " on the blower tube and blower nozzle.
2. Push the blower tube onto the housing until the tube release catch fully engages with the tube.
3. Align the hook of the spread nozzle and the blower tube.

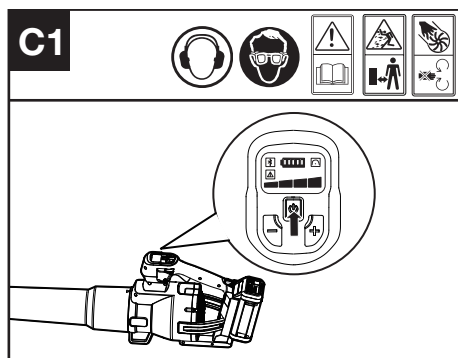
1. Slide the battery pack into the battery compartment until you hear a click.
2. Press the battery pack release button and press the battery pack to unlock it more easier.

**OPERATION**

**Charge your battery (See Fig. B1)**



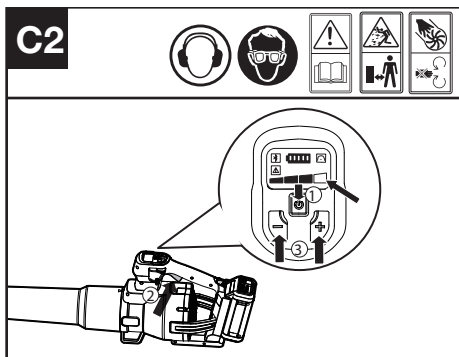
**To start (See Fig. C1)**



1. Press the for 0.5 seconds start the product.

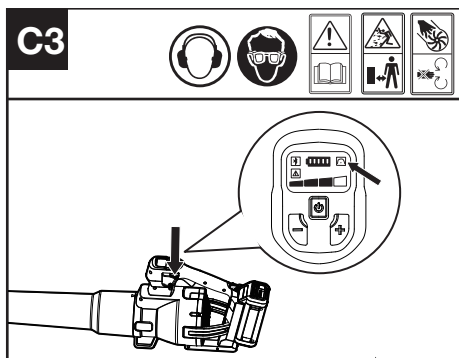
**NOTE:** When pressing the power button, please do not press the trigger, otherwise it will result in a fault alarm.


## Adjust the speed control (See Fig. C2)



1. Press on/off button to activate the blower, then press the trigger to operate the blower. Press +/- to choose proper level of air force. The blower will reach the MAX speed when the four lights are illuminated.

## Push the Cruise control button to set the selected airflow, the will light up (See Fig. C3)



1. Press on/off button to activate the blower, then press the trigger to operate the blower. Press the cruise control button and symbol " " lights up, then the blower will be at the current speed even if you release the trigger.
2. You could press trigger to have bigger air force within the chosen level limit and release the trigger, the speed will return to the cruise speed. Press cruise control button to deactivate the cruise function when needed.

## CLEANING

1. Do not use aggressive detergents or solvents. Clean the machine after use with a damp cloth dipped in mild detergent.
2. Keep battery connection free of dirt and debris, and clean with a soft and dry brush or cloth.
3. Do not spray water onto the motor and electrical components.

4. Do not use pressure washer to clean your machine.

## STORAGE

1. Remove the battery pack from the blower before storage.
2. Store the blower and the battery in a dry and secure place that is inaccessible to children and other unauthorized people. Remove the attachment if no use for a long time.
3. Store the battery only within a temperature range between 41 °F (5°C) and 77 °F (25°C). As an example, do not leave the battery in the car in summer time.
4. Clean the exterior of the machine thoroughly using a soft brush and cloth. Do not use water, solvents or polishes. Remove all grass and debris, especially from the ventilation slots.
5. Store the machine in a dry place. Do not place other objects on top of the machine.
6. If the machine becomes wet in the rain during operation, the machine and the battery should be dried before storing or charging. Remove the battery and reinsert it if the machine fails to turn on.

## For Battery tools

The recommended ambient temperature range for discharging is -20 °C~45 °C (-4 °F~113 °F).

The recommended ambient temperature range for the charging system during charging is 5 °C~40 °C (41 °F~104 °F).

# TROUBLESHOOTING

The following table gives problems and actions that you can perform if your machine does not operate correctly.



**WARNING: Switch the machine off and remove the battery prior to any troubleshooting.**

## 60V Commercial Handheld Blower


Symptom indicator light display	Possible Cause	Remedy
Flashing Red Light	The machine has failure in operation	Charge and replace battery, then restart it. If still not working, please contact service agent.
Flashing Yellow Light	Power-On Start/Switch Reset Failure	Restart the machine. Press the presence switch first and then pull the throttle trigger.
	Overcurrent protection	Clean the air inlet, and let the machine cool down for a few moment , then restart.
	Locked rotor protection	Clean the air inlet, and let the machine cool down for a few moment , then restart.
	MOS temperature protection	Place the battery pack in a suitable temperature environment for some time to wait for the temperature to stabilize, then restart it.
	Battery pack under-voltage/deep under-voltage	Charge the battery pack before use.
	Battery Pack Overheating	Allow the battery to cool down for a while, then restart it.
	Battery Pack Underheating	Place the battery pack in a suitable temperature environment for some time to wait for the temperature to stabilize, then restart it.

## BATTERY

Problems	Possible Causes	Corrective Action
Error LED lit	The battery is discharged	Charge the battery and check the charger for proper operation. If battery fails to charge, contact your Service Agent.
	Temperature issue.	Use the battery in surroundings where temperatures are between -4 °F to 113 °F (-20 °C to 45 °C) for discharge.
	Others	Contact your Service Agent.

# TECHNICAL DATA

Type Designation: **KC510 KC510.X** (5 -designation of machinery, representative of Cordless Blower)

	<b>KC510 KC510.X **</b>
Voltage	60 V  MAX ***
Motor type	Brushless
Air force	22 N
MAX Air volume	1444 m³/h
MAX Air speed	83 m/s
Noise	59 dB @15m
Degree of protection	IPX5
Machine weight (Bare tool)	2.6 kg

\*\* X=1-999, A-Z, M1-M9 there are only used for different customers, there are no safe relevant changes between these models.

\*\*\* Voltage measured without workload. Initial battery voltage reaches maximum of 60 volts. Nominal voltage is 54 volts.

## SUGGESTED BATTERIES AND CHARGERS

<b>Battery</b>	<b>Amp</b>	<b>Charger</b>	<b>Amperage</b>
KAC800	4.0 Ah	KAC840	25-30 A

EN

We recommend that you purchase your accessories from the same Dealer that sold you the tool. Refer to the accessory packaging for further details. Your Dealer can assist you and offer advice.

## TECHNICAL DATA FOR BATTERY PACK (OPTIONAL)

Frequency bands for Bluetooth	2400-2483.5 MHz
Maximum Transmitted Power for Bluetooth	8 dBm

**Positec Australia Pty Limited**  
**10 Corporate Blvd Bayswater, VIC 3153, Australia**



Copyright © 2024, Positec. All Rights Reserved.  
AR01770302